

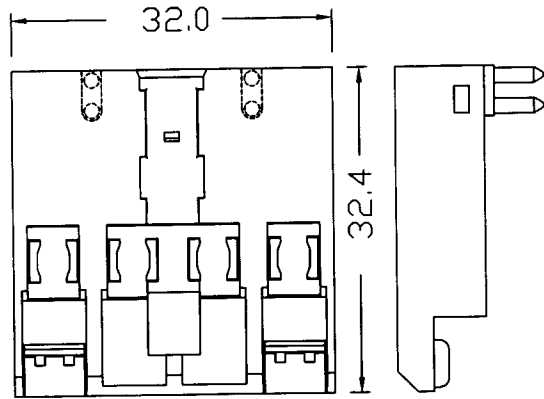
Tous droits strictement réservés. Reproduction ou communication a des tiers interdite sous quelque forme que ce soit sans autorisation écrite du propriétaire. Propriété de FCI. Droits de reproduction FCI.



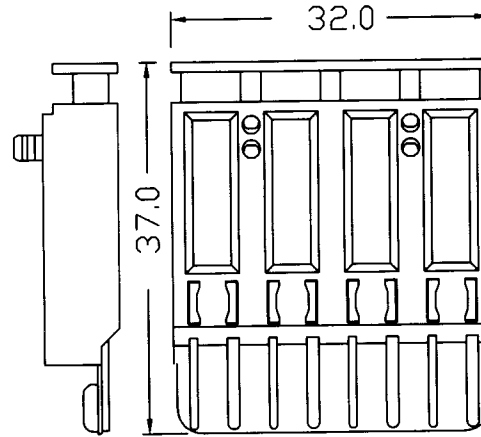
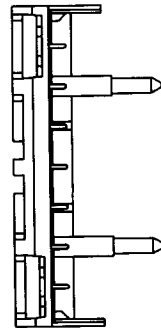
All rights strictly reserved. Reproduction or issue to third parties in any form whatever is not permitted without written authority from the proprietor. Property of FCI. Copyright FCI.

PRODUCT NO.  
84664-002

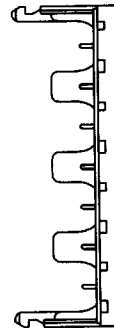
PRODUCT NO.  
84664-001



8.9



7.5



NOTES:

- SEE APPLICATION SPECIFICATION, GES-20-007, FOR INSTRUCTION ON WIRE INSERTION AND ASSEMBLY OF COMPONENTS FOR CONNECTOR USING THESE COVERS.

MATERIAL:

GLASS FILLED 612 POLYAMIDE

mat'l. code				tolerances unless otherwise specified				CUSTOMER COPY		Electronics www.fciconnect.com	
ltr	ecn no	dr	date	linear				projection	title		
A	V82260	JRV	01/04/99						5 X 16 COVERS		
B	V11076	JRW	03/14/01						84667 CABLE CONNECTOR		
				angles				INCH/MM scale 1:1	product family		code
				dr		J.R. VOLSTORF	D1/04/99		METRAL		213
				engr		J.R. VOLSTORF	D1/04/99		size		sheet
				chr		J.R. VOLSTORF	D1/04/99		A		1 of 3
				appd		J.R. VOLSTORF	D1/04/99		84664		
sheet index	revision sheet		B	B	B						
	1	2	3								
								cage code		22526	

ACAD

PDM: Rev:B

STATUS: Released

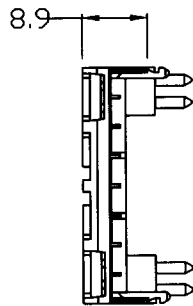
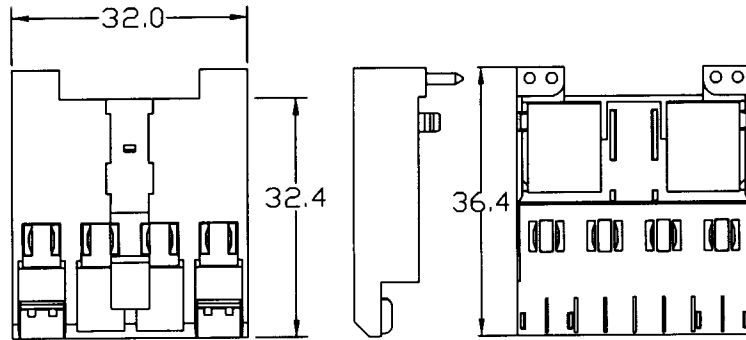
Printed: Feb 04, 2006

Tous droits strictement réservés. Reproduction ou communication à des tiers interdite sous quelque forme que ce soit sans autorisation écrite du propriétaire. Propriété de FCI. Droits de reproduction FCI.



All rights strictly reserved. Reproduction or issue to third parties in any form whatever is not permitted without written authority from the proprietor. Property of FCI. Copyright FCI.

PRODUCT NUMBER  
84664-012



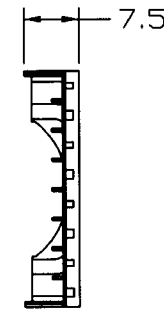
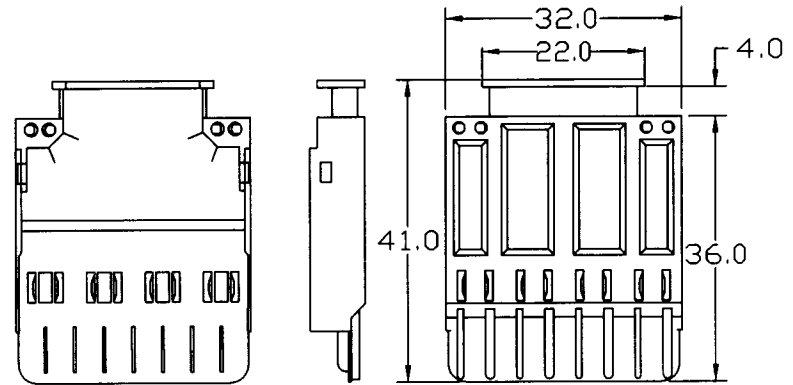
NOTES:

1. SEE APPLICATION SPECIFICATION, GES-20-007, FOR INSTRUCTION ON WIRE INSERTION AND ASSEMBLY OF COMPONENTS FOR CONNECTOR USING THESE COVERS.

MATERIAL:

GLASS FILLED 612 POLYAMIDE

PRODUCT NUMBER  
84664-011



mat'l. code				tolerances unless otherwise specified				CUSTOMER COPY		Electronics www.fciconnect.com	
ltr	ecn no	dr	date	linear	projection	title					
B						5 X 16 COVERS					
				angles		84667 CABLE CONNECTOR					
				dr		J. WITMER	1/25/01	product family		code	
				enrg	M. PERHACS	1/25/01	METRAL		213		
				chr	M. PERHACS	1/25/01	size		sheet		
				appd	M. PERHACS	1/25/01	dwg no		2 of		
sheet index		revision sheet		scale		1:1		A		84664	

cage code  
22526

ACAD

PDM: Rev:B

STATUS: Released

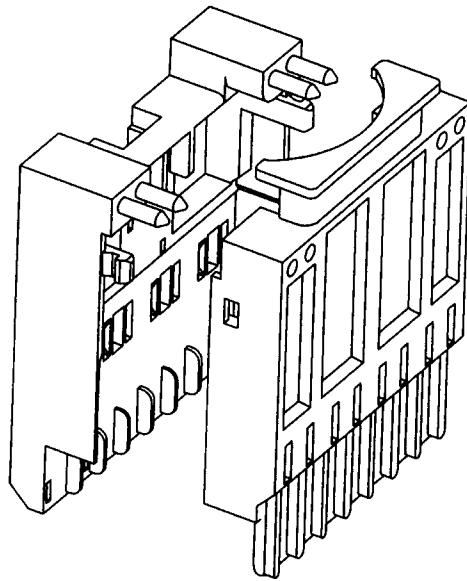
Printed: Feb 04, 2006

Tous droits strictement réservés. Reproduction ou communication a des tiers interdite sous quelque forme que ce soit sans autorisation écrite du propriétaire. Propriété de c FCI. Droits de reproduction FCI.

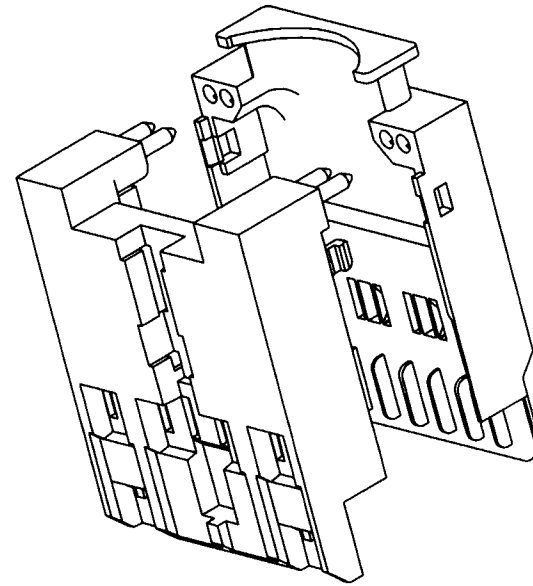


All rights strictly reserved. Reproduction or issue to third parties in any form whatever is not permitted without written authority from the proprietor. Property of FCI. Copyright FCI.

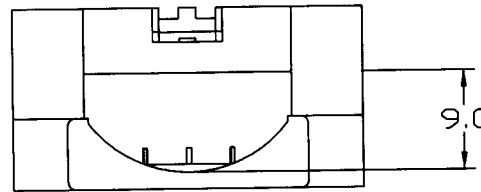
PRODUCT NUMBER  
84664-01X



SCALE 3:2



SCALE 3:2



SCALE 3:2

mat'l. code				tolerances unless otherwise specified				CUSTOMER COPY		Electronics www.fciconnect.com	
ltr	ecn no	dr	date	linear	projection			title			
B								5 X 16 COVERS			
				angles	INCH/MM			84667 CABLE CONNECTOR			
		dr	J. WITMER	1/25/01	scale			product family METRAL		code	
		enr	M. PERHACS	1/25/01	1:1			size dwg no		213	
		chr	M. PERHACS	1/25/01				A 84664		sheet	
		appd	M. PERHACS	1/25/01						3 of	
sheet index	revision sheet										

cage code  
22526

ACAD

PDM: Rev:B

STATUS: Released

Printed: Feb 04, 2006