

## DETAILS

<b>Product Number</b>	CA13724_VERONICA-SQ-RS
<b>Family</b>	Veronica
<b>Type</b>	Assembly
<b>Color</b>	clear
<b>Diameter</b>	22,5 + 22,5 mm
<b>Height</b>	12,2 mm
<b>Style</b>	round
<b>Optic Material</b>	PMMA
<b>Holder Material</b>	
<b>Fastening</b>	tape, pin
<b>Status</b>	production ready
<b>ROHS Compliant</b>	Yes
<b>Date Updated</b>	18/11/2013



## OPTICAL PROPERTIES

LED	Viewing	Light	Effi-		Connector
	Angle	Beam	ciency	cd/lm	
XM-L	sim: 15	Real spot	sim: 91 %	-	-
XP-E	sim: 8	Real spot	sim: 92 %	-	-
XP-G	sim: 10	Real spot	sim: 92 %	-	-
XP-G2	11 deg	Real spot	90 %	18.800	-
XT-E	sim: 10	Real spot	sim: 90 %	-	-
XM-L2	sim: 15	Real spot	sim: 92 %	-	-
XP-E2	sim: 8	Real spot	sim: 92 %	-	-
XB-H	12 deg	Real spot	87 %	16.000	-
LUXEON Rebel ES	sim: 11	Real spot	sim: 90 %	-	-
LUXEON R	sim: 11	Real spot	sim: 90 %	-	-
LUXEON A	sim: 11	Real spot	sim: 90 %	-	-
LUXEON Rebel	sim: 9	Real spot	sim: 90 %	-	-
NCSxx19A	sim: 8	Real spot	sim: 88 %	-	-
NVSxx19B/NVSxx19C	sim: 11	Real spot	sim: 89 %	-	-
NWSx229A	18 deg	Real spot	88 %	6.900	-
Oslon Square PC	sim: 10	Real spot	sim: 90 %	-	-
Oslon SSL 80	sim: 7	Real spot	sim: 90 %	-	-
Oslon Square EC	sim: 10	Real spot	sim: 94 %	sim: 20.200-	-
Oslon SSL 150	sim: 8	Real spot	sim: 91 %	-	-
Oslon Square Gen3	sim: 10	Real spot	sim: 94 %	sim: 20.800-	-
LH351Z	12 deg	Real spot	89 %	18.900	-
LH351B	sim: 12	Real spot	sim: 93 %	-	-
Z8Y22P	12 deg	Real spot	86 %	1.100	-

D

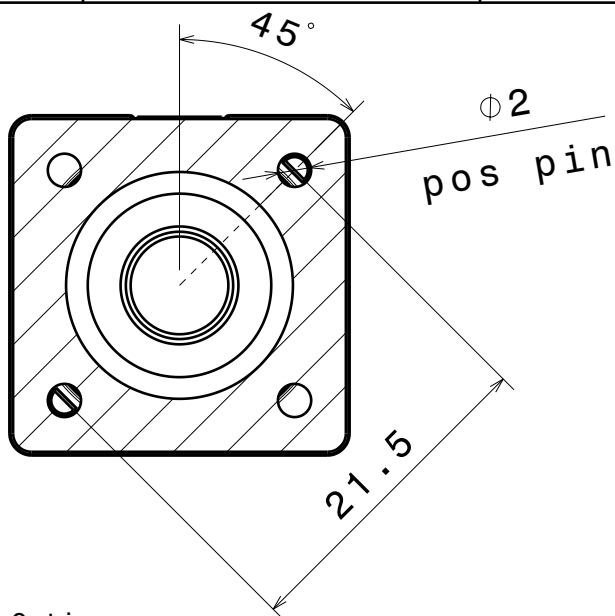
C

B

A

4

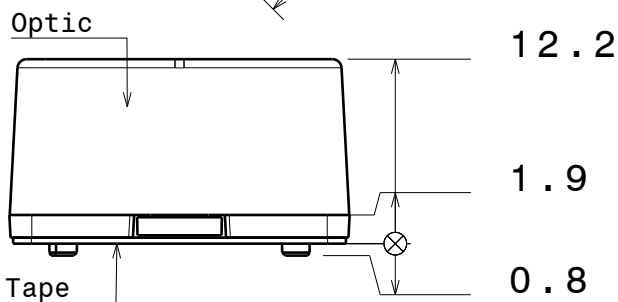
Bottom view



4

3

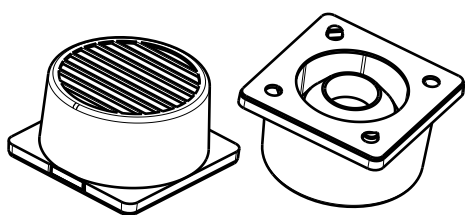
Front view



3

2

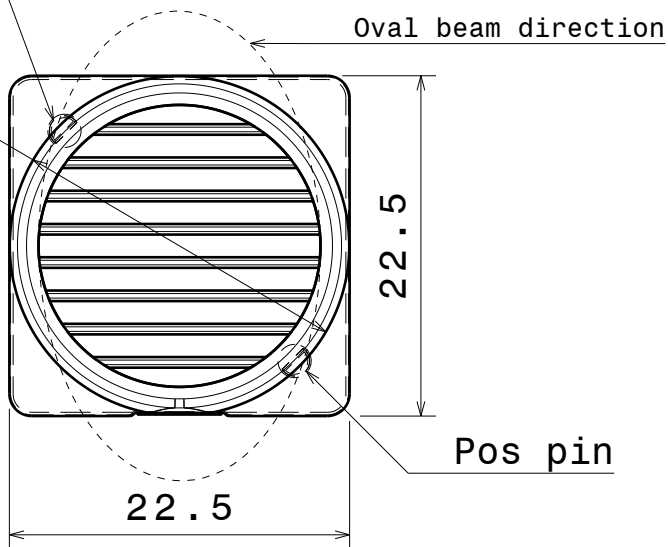
Top view



Pos pin

 $\varnothing 22.4$ 

Oval beam direction



Pos pin

2

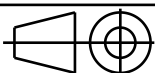
INDEX	DESCRIPTION	MATERIAL	COLOUR
1	VERONICA-SQ	PMMA / PU 2-sided adhesive foam tape	

Tolerances if not otherwise shown  
According to DIN ISO 2768-1  
Linear measures:  
Up to 30mm class M, otherwise class C.  
According to DIN ISO 2768-2  
Form and position: class L

LEDiL

Ledil Oy  
Salorankatu 10  
FIN 24240 SALO  
Finland

THIRD ANGLE PROJECTION:



DRAWING TITLE

VERONICA-SQ

This drawing is the property  
of LEDiL Oy. It may not be  
reproduced, copied or  
communicated without a written  
agreement with LEDiL Oy."

SIZE PART NUMBER

A4

SCALE 1:1 WEIGHT

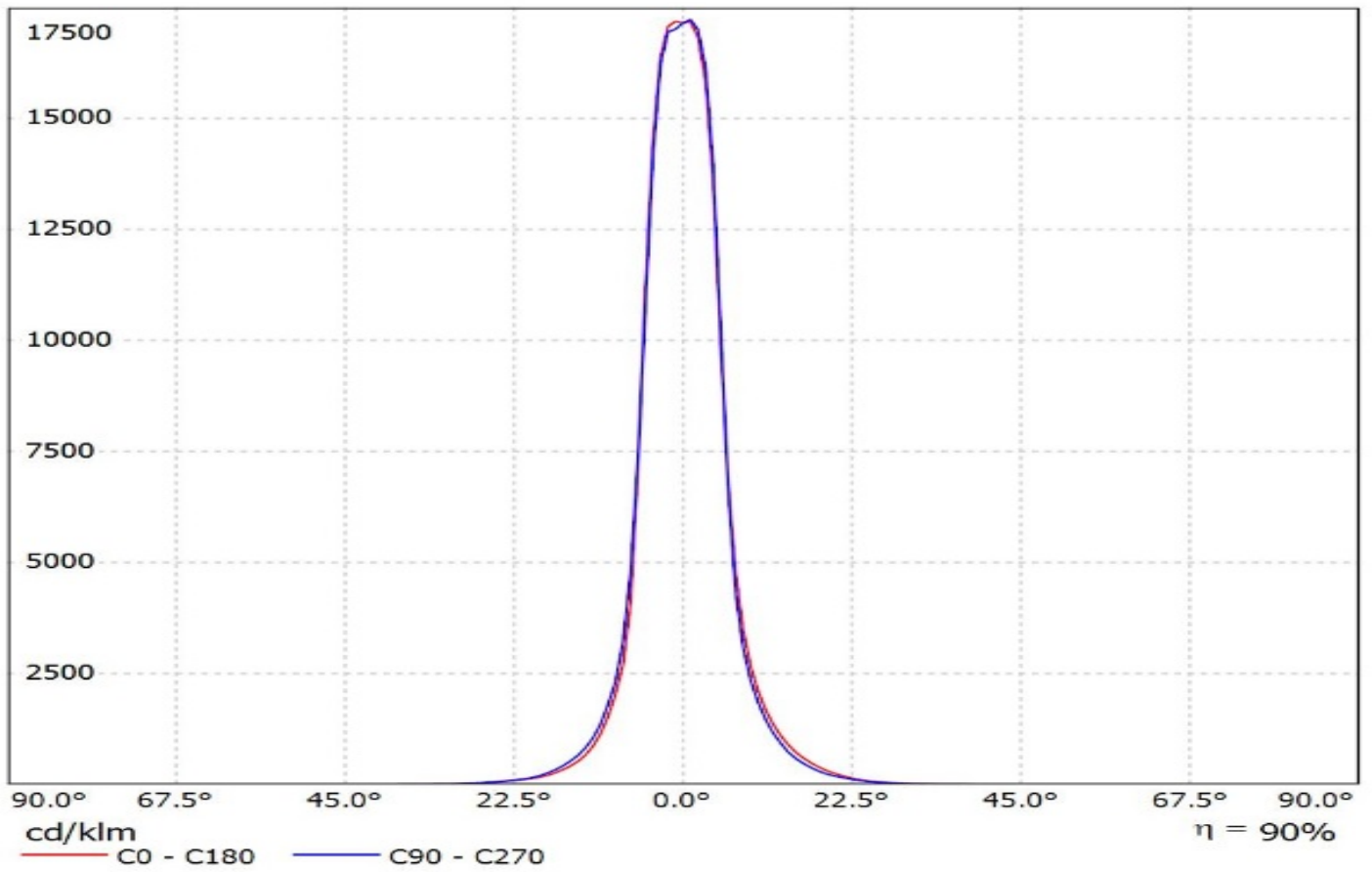
SHEET 1/1

D

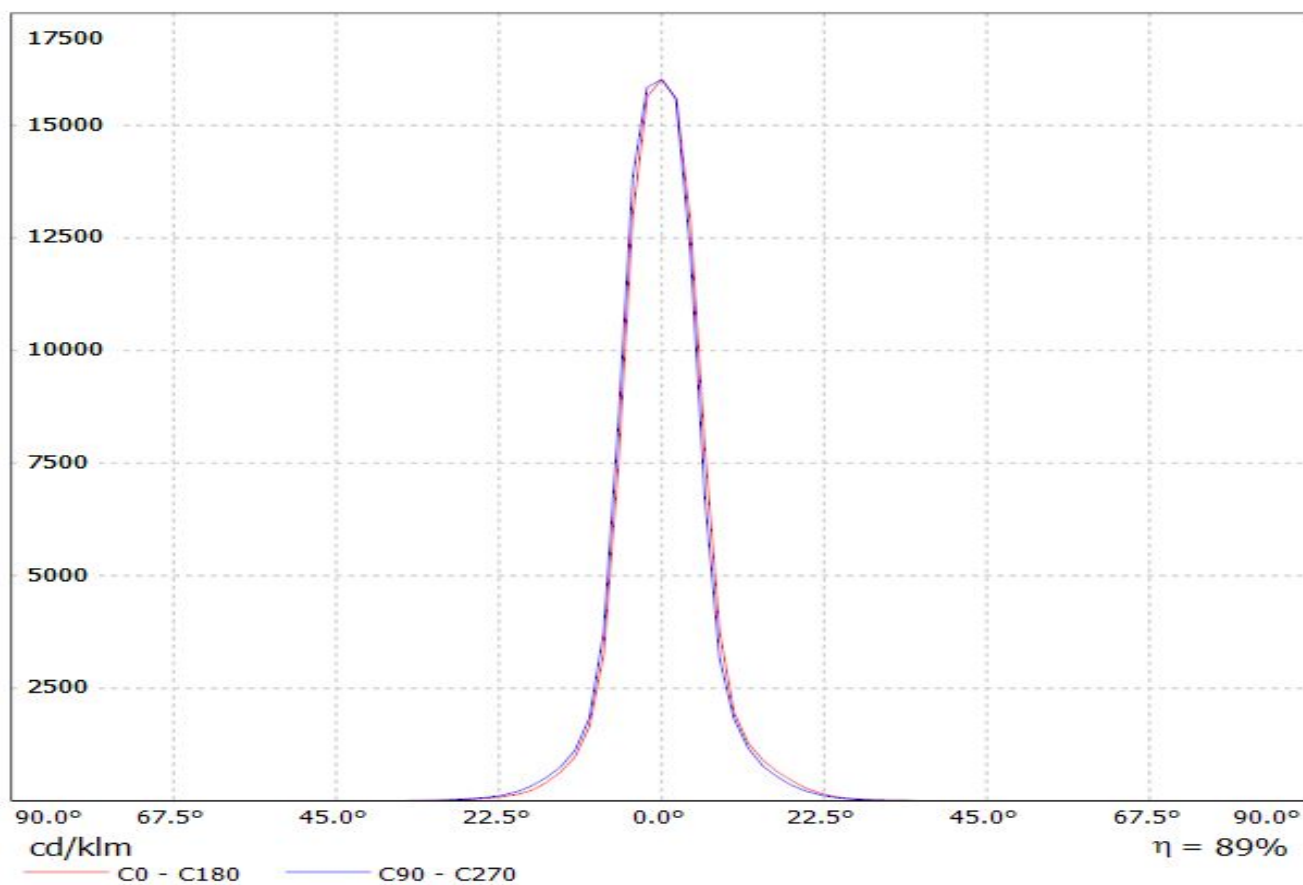
A

1

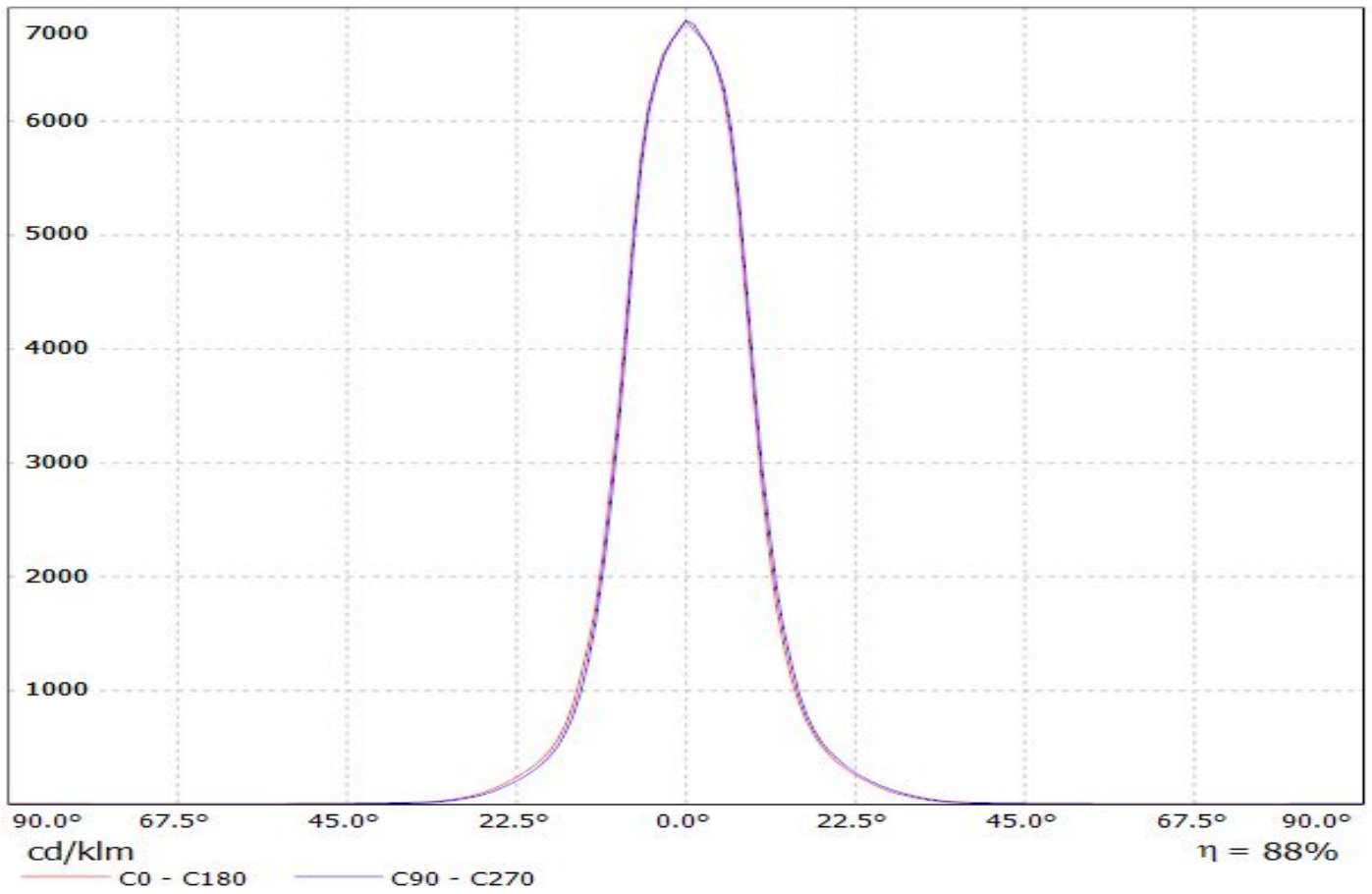
Luminaire: LEDiL Oy CA13724\_VERONICA-SQ-RS\_(XP-G2) Cree\_XP-G2\_77.1698lm@250mA\_P=0.722472W\_I=0.25A  
Lamps: 1 x Cree\_XP-G2\_77.1698lm@250mA\_P=0.722472W\_I=0.25A



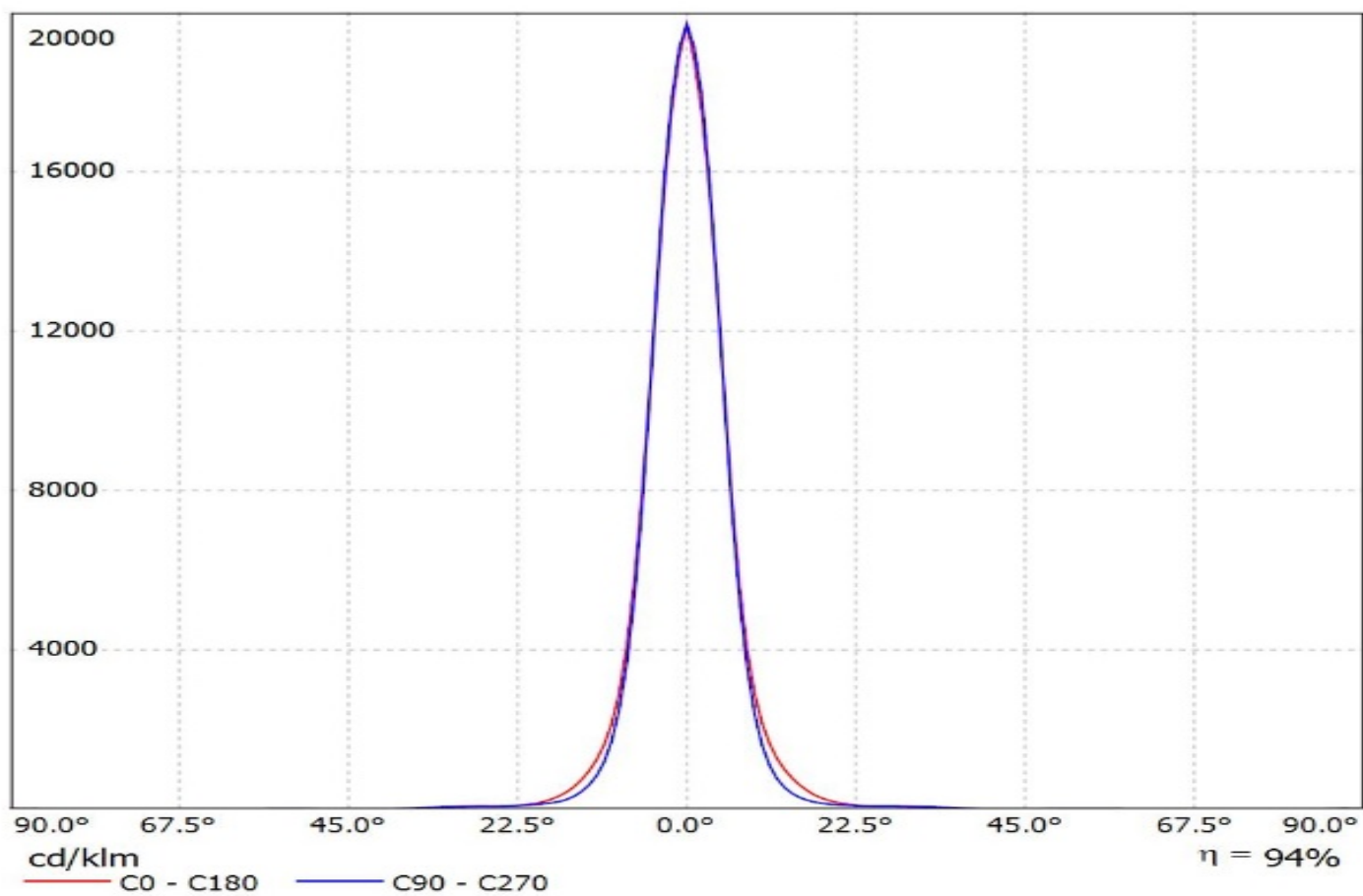
Luminaire: Ledil Oy CA13724\_VERONICA-SQ-RS\_(XB-H)  
Lamps: 1 x Cree XB-H (XBHAWT-0-3C0-T50-0B-0001) 109lm @ 250mA CCT= P=0.73W I=250mA



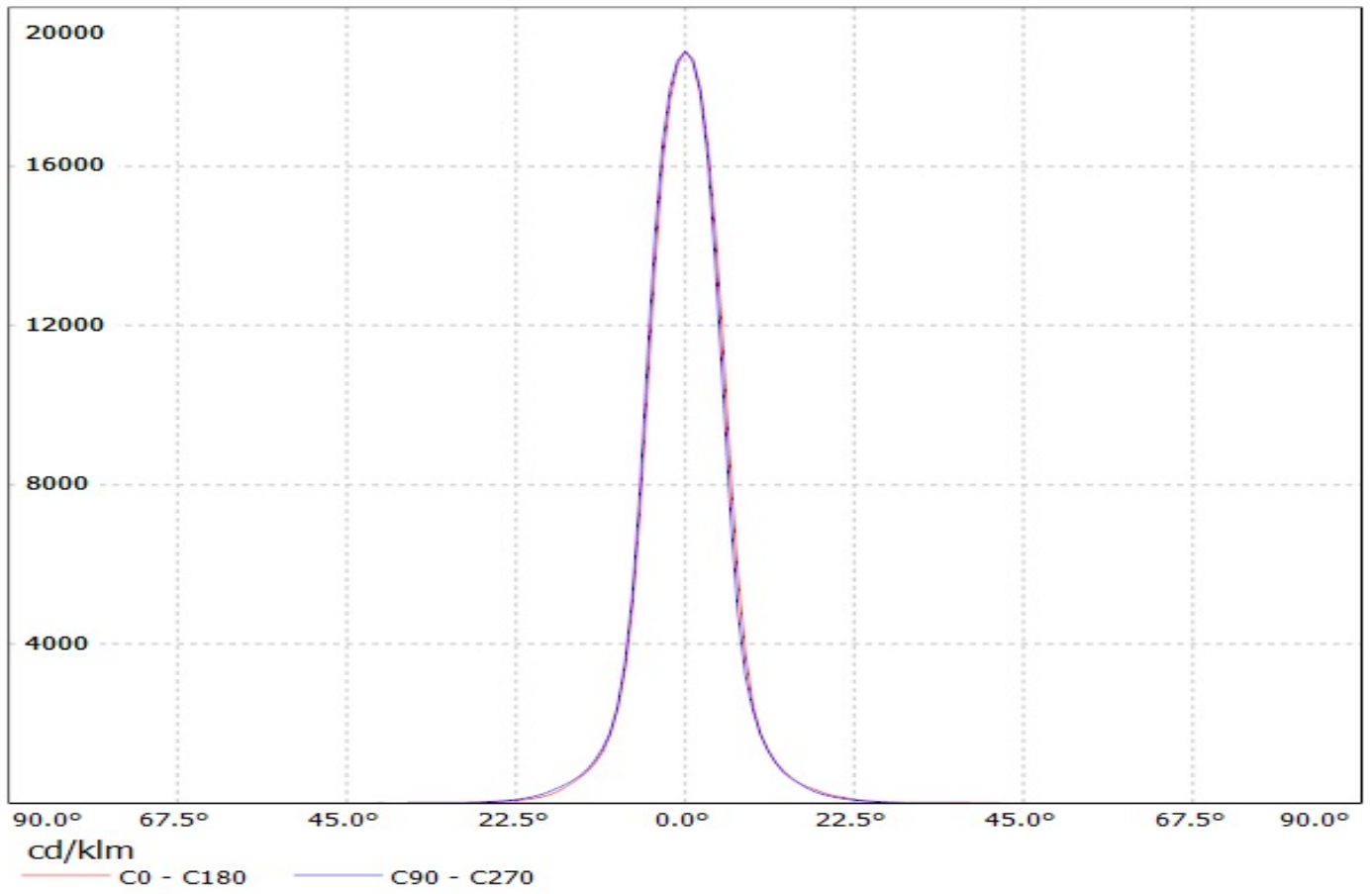
Luminaire: LEDiL Oy CA13724\_VERONICA-SQ-RS\_(NWSL229AE)  
Lamps: 1 x Nichia\_NWSL229AE\_120.54lm@250mA\_P=0.7128W\_I=0.250A



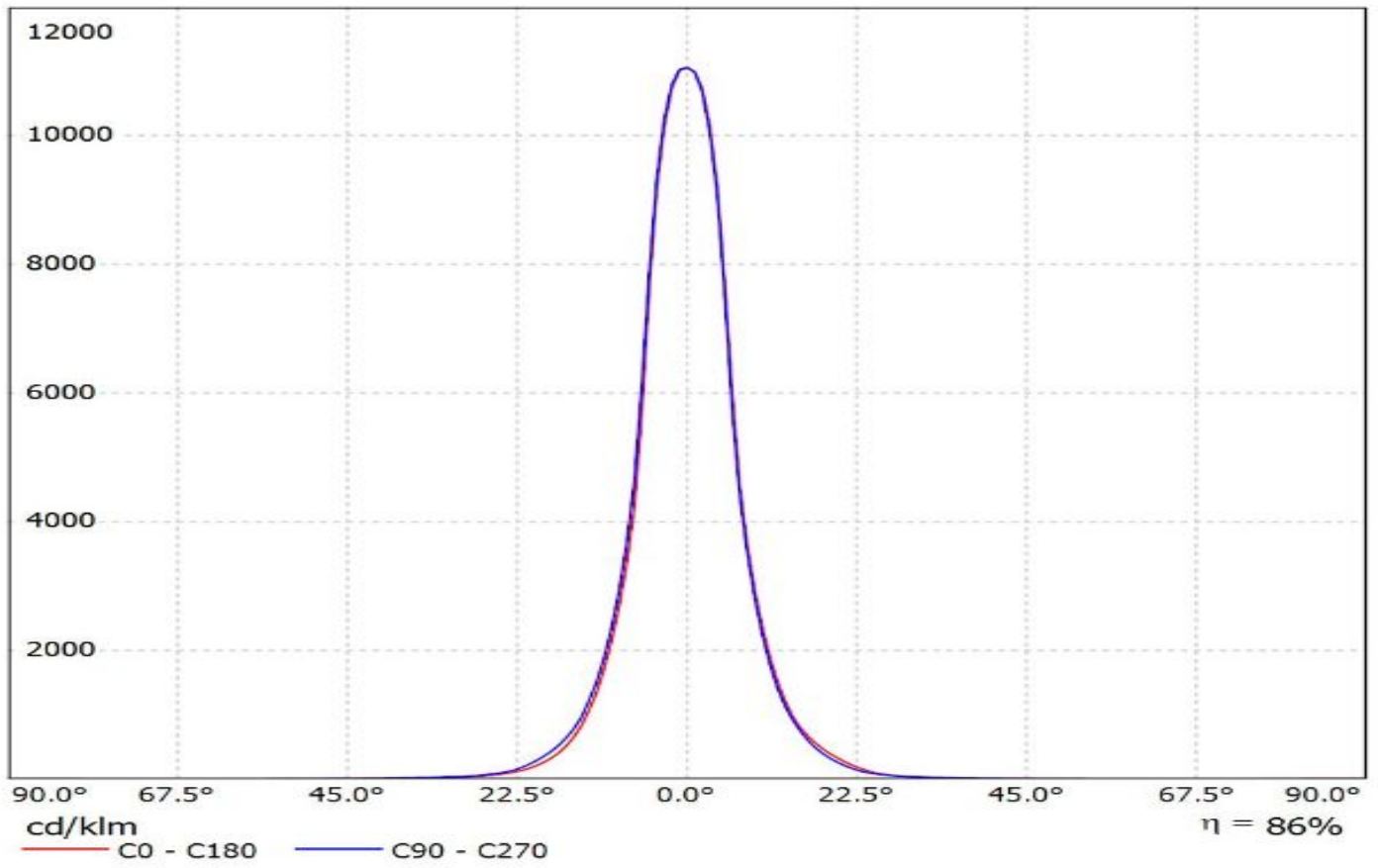
Luminaire: Ledil Oy CA13724\_VERONICA-SQ-RS\_(Oslon\_Square)\_SIMULATED  
Lamps: 1 x Osram Oslon Square EC



Luminaire: Ledil Oy CA13724\_VERONICA-SQ-RS\_(LH351Z) Efficiency=89%  
Lamps: 1 x Samsung LH351Z (90.14lm @ 250mA) CCT=6500K P=0.7W I=250mA

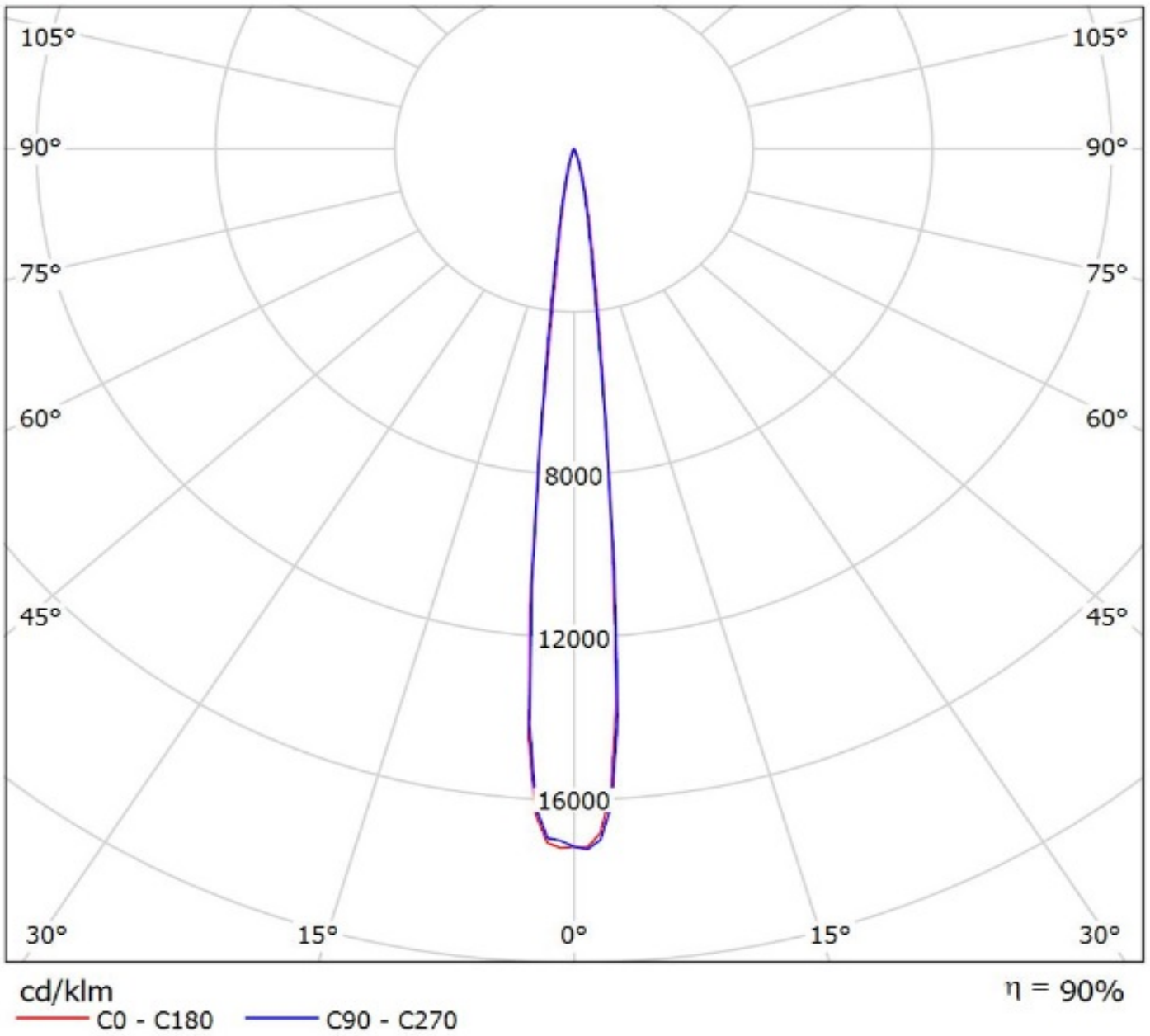


Luminaire: LEDiL Oy CA13724\_VERONICA-SQ-RS\_(Z8Y22plus)  
Lamps: 1 x Seoul\_Z8Y22plus\_(W6E2G)\_125.652lm@250mA\_P=0.69312W\_I=0.250A



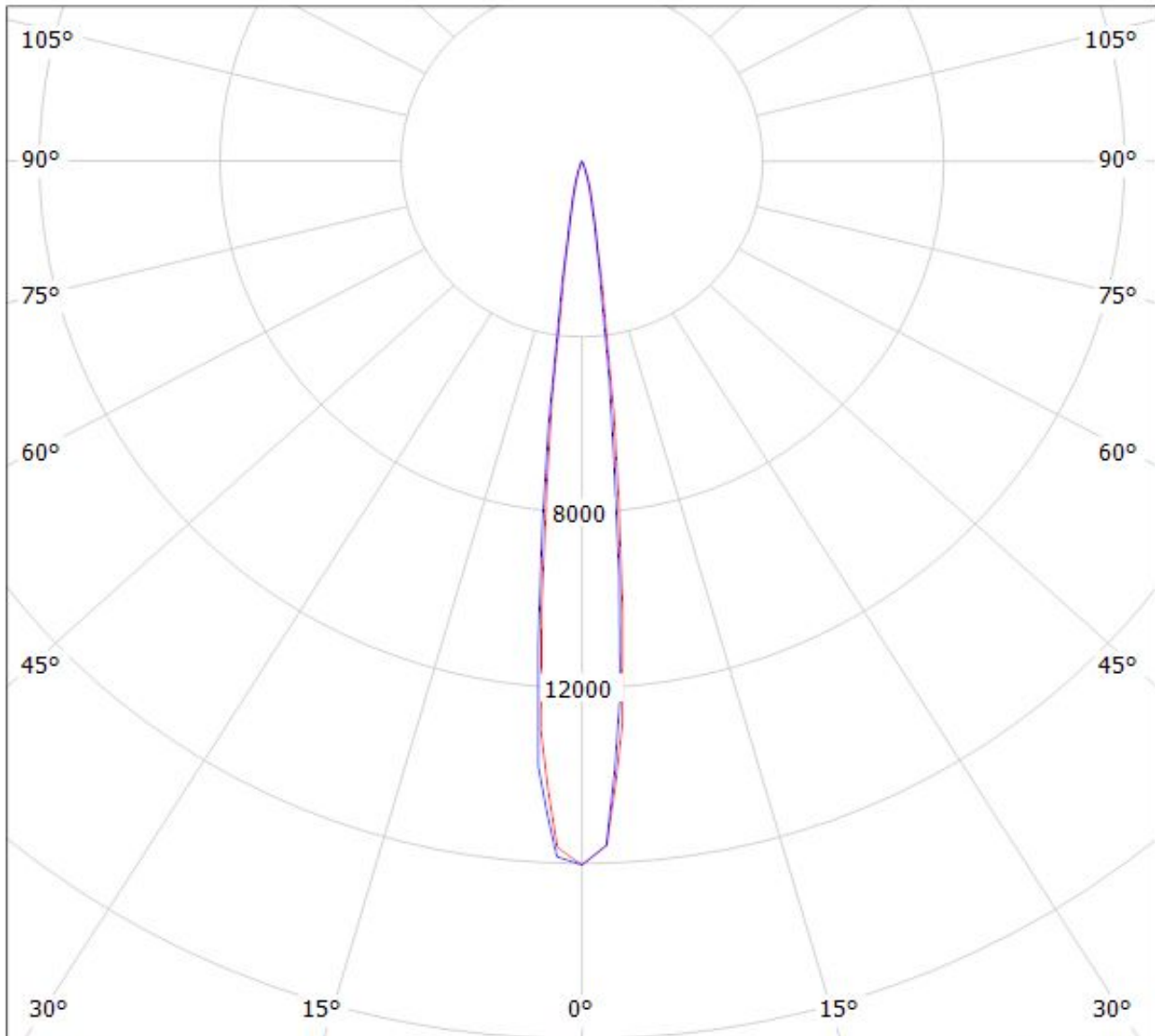


Luminaire: LEDiL Oy CA13724\_VERONICA-SQ-RS\_(XP-G2) Cree\_XP-G2\_77.1698lm@250mA\_P=0.722472W\_I=0.25A  
Lamps: 1 x Cree\_XP-G2\_77.1698lm@250mA\_P=0.722472W\_I=0.25A



Luminaire: Ledil Oy CA13724\_VERONICA-SQ-RS\_(XB-H)

Lamps: 1 x Cree XB-H (XBHAWT-0-3C0-T50-0B-0001) 109lm @ 250mA CCT= P=0.73W I=250mA



cd/klm

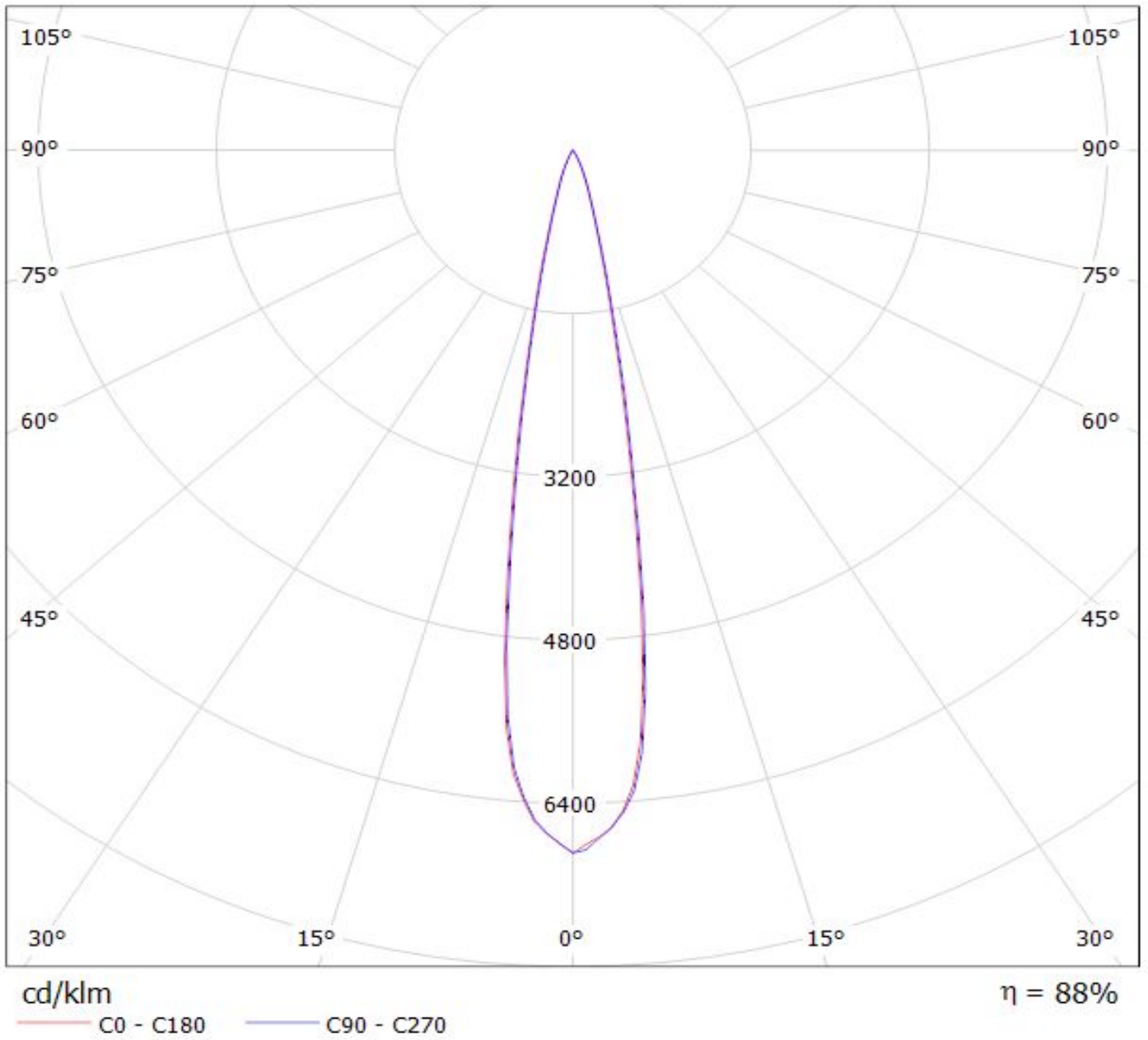
— C0 - C180

— C90 - C270

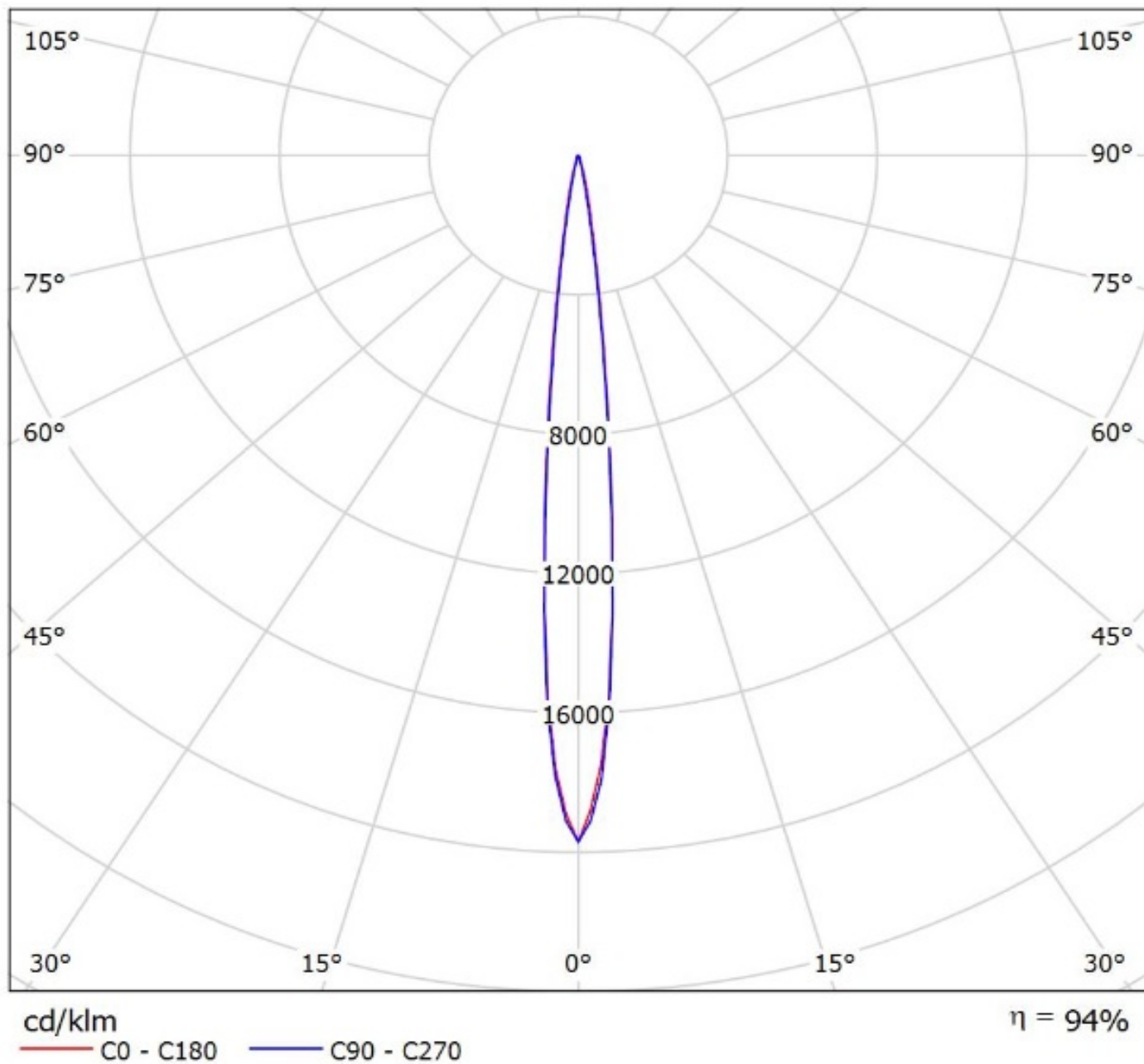
$\eta = 89\%$

Luminaire: LEDiL Oy CA13724\_VERONICA-SQ-RS\_(NWSL229AE)

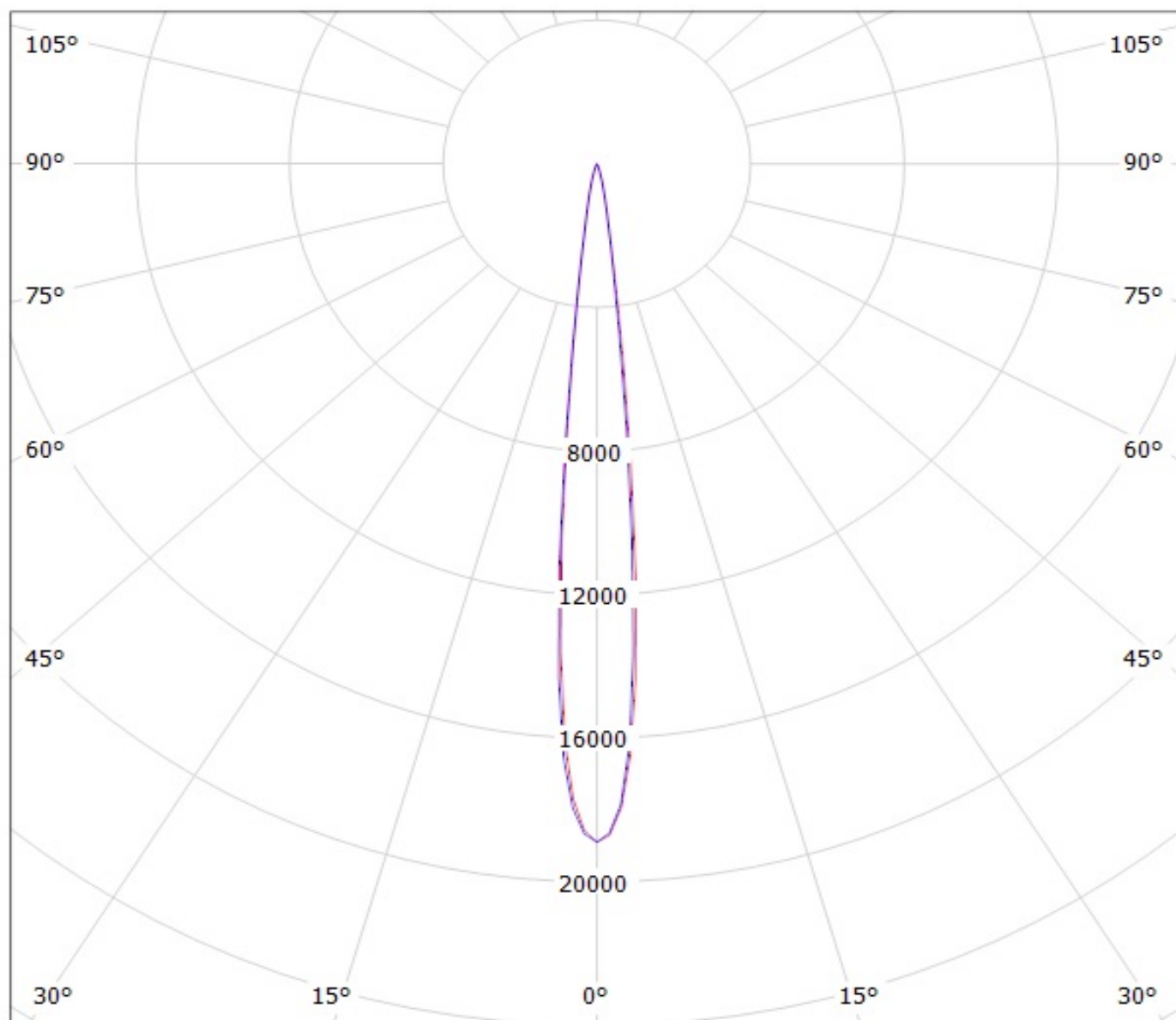
Lamps: 1 x Nichia\_NWSL229AE\_120.54lm@250mA\_P=0.7128W\_I=0.250A



Luminaire: Ledil Oy CA13724\_VERONICA-SQ-RS\_(Oslon\_Square)\_SIMULATED  
Lamps: 1 x Osram Oslon Square EC



Luminaire: Ledil Oy CA13724\_VERONICA-SQ-RS\_(LH351Z) Efficiency=89%  
Lamps: 1 x Samsung LH351Z (90.14lm @ 250mA) CCT=6500K P=0.7W I=250mA



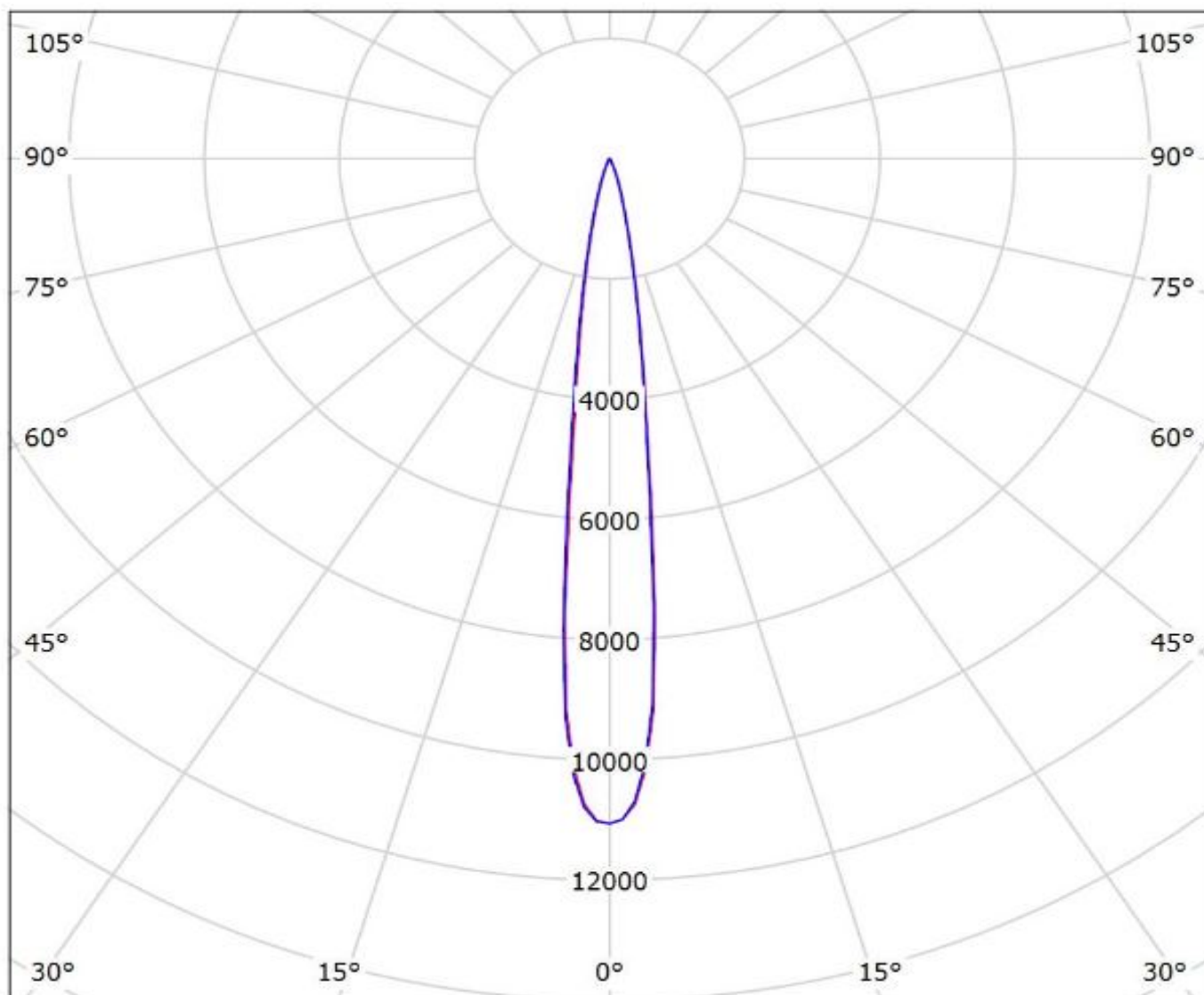
cd/klm

— C0 - C180

— C90 - C270

Luminaire: LEDiL Oy CA13724\_VERONICA-SQ-RS\_(Z8Y22plus)

Lamps: 1 x Seoul\_Z8Y22plus\_(W6E2G)\_125.652lm@250mA\_P=0.69312W\_I=0.250A



cd/klm

— C0 - C180

— C90 - C270

$\eta = 86\%$

**NOTE: The typical divergence will be changed by different color, chip size and chip position tolerance. The typical total divergence is the full angle measured where the luminous intensity is half of the peak value.**