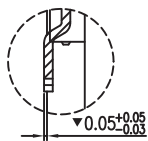
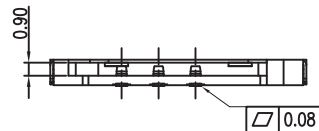
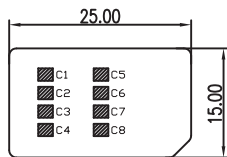


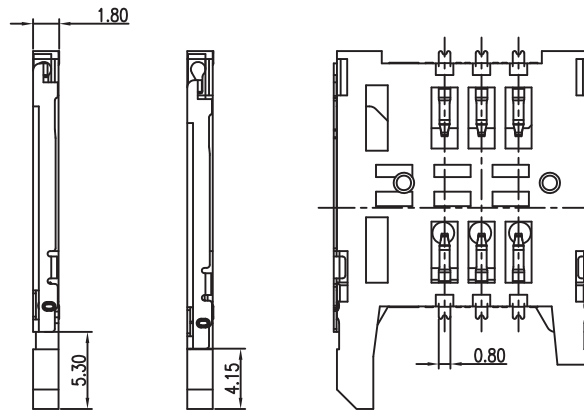
SECTION A-A



VIEW A
SCALE 4:1

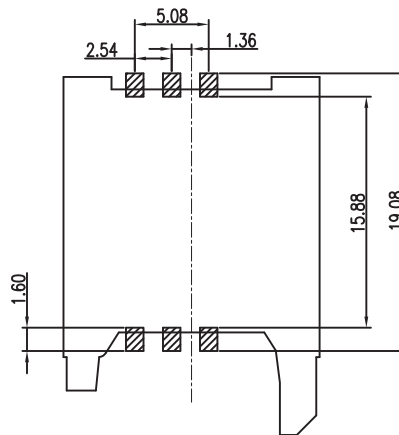


SIM CARD



OPEN

LOCK



REFERENCE PC BOARD LAYOUT

TECHNICAL CHARACTERISTICS

MATERIAL
 INSULATOR: LCP
 FLAMABILITY RATING: UL94-V0
 COLOR: BLACK
 CONTACT MATERIAL: COPPER ALLOY
 CONTACT TYPE: STAMPED
 CONTACT PLATING: SELECTIVE GOLD
 LATCH: STAINLESS STEEL
 QUALITY CLASS: 5000 MATING CYCLES

ENVIRONMENTAL
 OPERATING TEMPERATURE: -25 UP TO 85°C
 COMPLIANCE: LEAD FREE AND ROHS

ELECTRICAL
 CURRENT RATING: 1A
 WORKING VOLTAGE: 250VAC
 INSULATOR RESISTANCE: >100 MOHM
 DIELECTRIC WITHSTANDING VOLTAGE: 100VAC/MN
 CONTACT RESISTANCE: 100 mOHM MAX

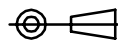
SOLDERING
 REFLOW PROCESS ONLY

PACKAGING
 TAPE & REEL

PIN NO.	PIN NAME
C1	Supply Voltage Vcc
C2	Reset (RST)
C3	Clock (CLK)
C4	N/A
C5	Ground
C6	Programming Voltage Vpp
C7	I/O
C8	N/A

RoHS Compliant

PROJECTION:



GENERAL TOLERANCE

.X = +/- 0.2
 .XX = +/- 0.15



APPROVAL: RJ

UNIT: MM

DESCRIPTION: WR-CRD Mini SIM_Hinge type_6 pins

SCALE:

SHEET: 1/2

WERI PART NO: 693 012 040 811

DRAW: VICKY

SIZE

A4

G			
F			
E			
D			
C			
B			
A	08-JUL-12	PDF	GG
REV	DATE	FILE	BY

