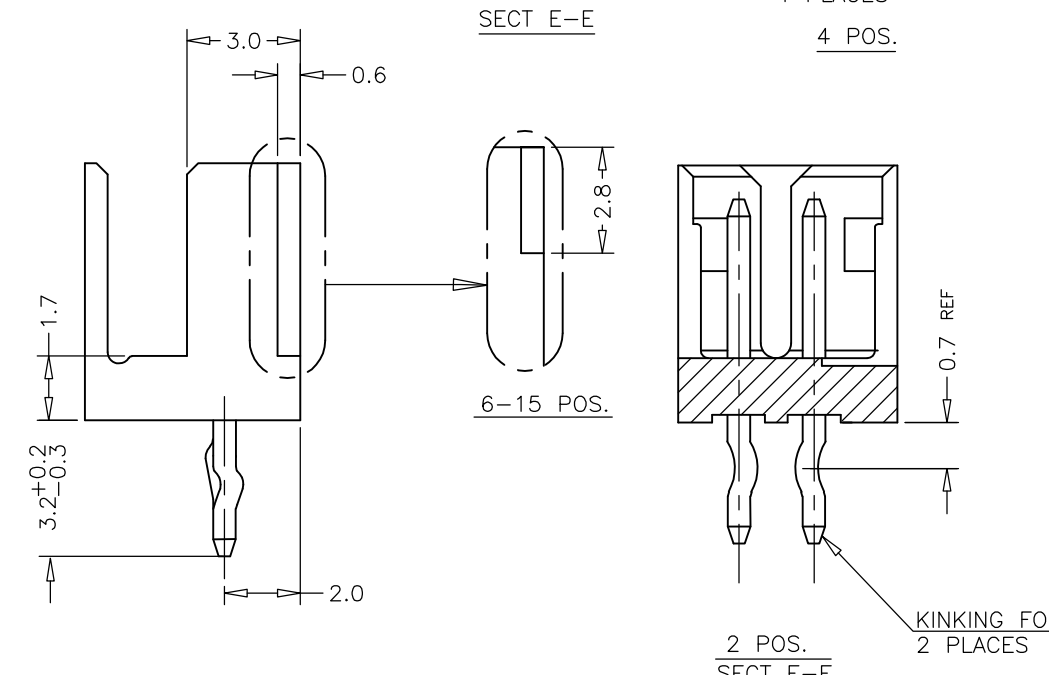
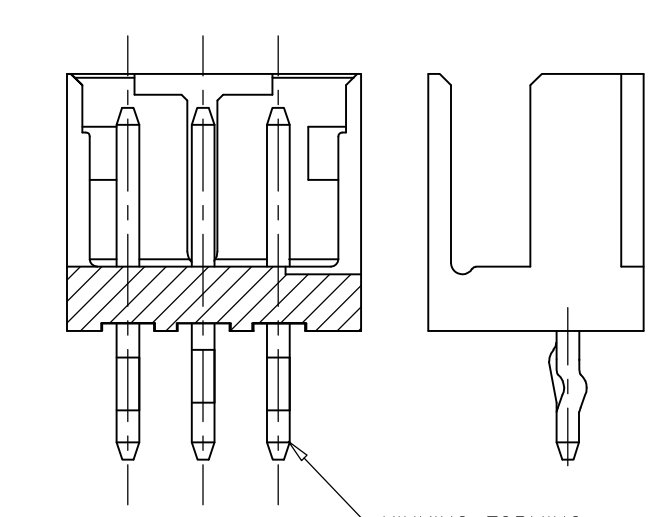
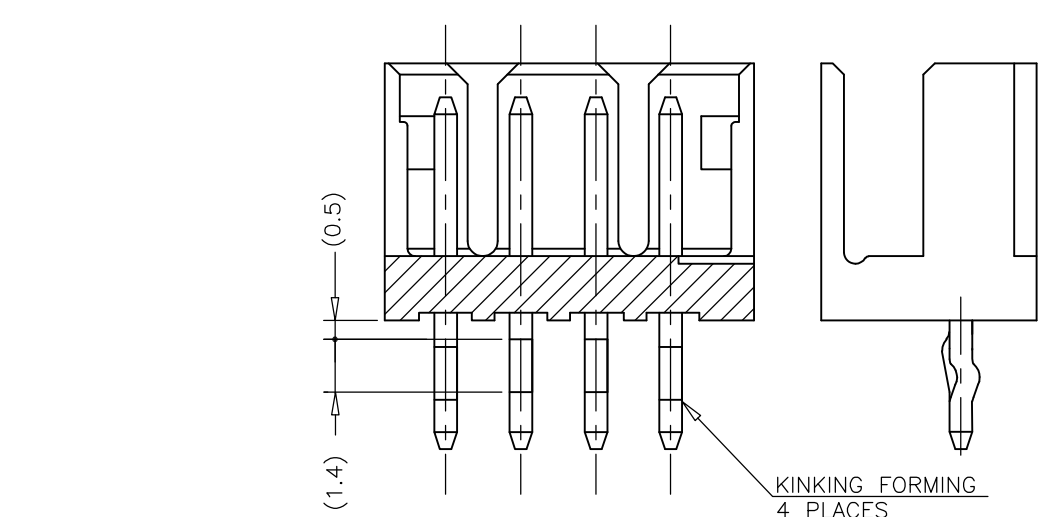
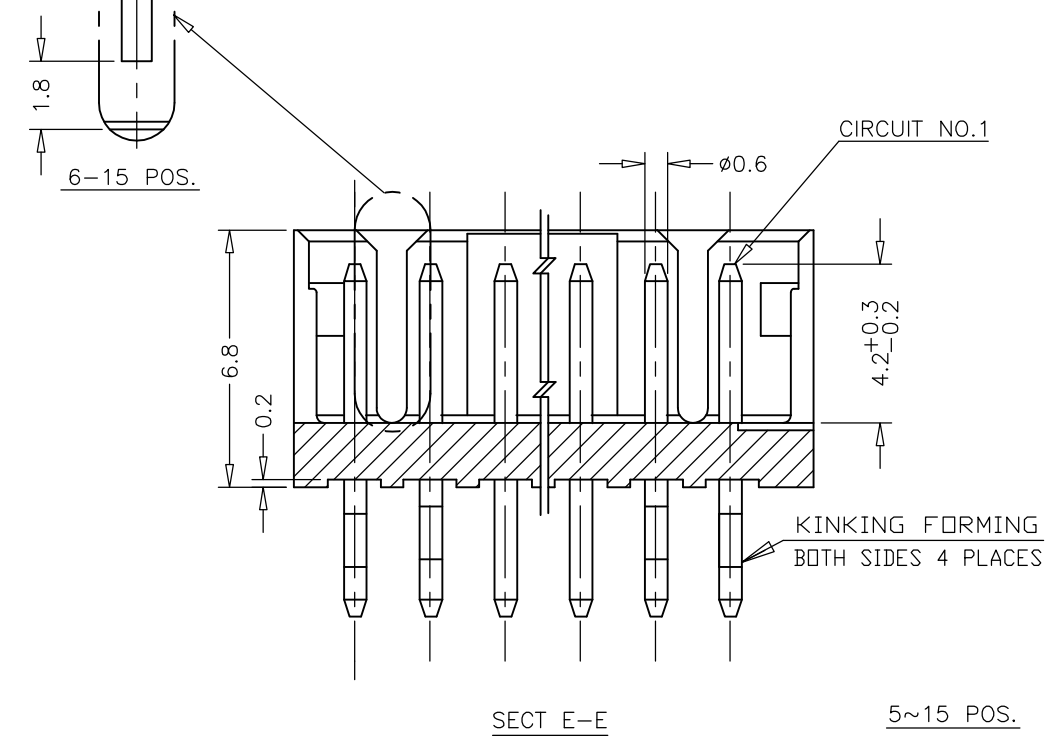
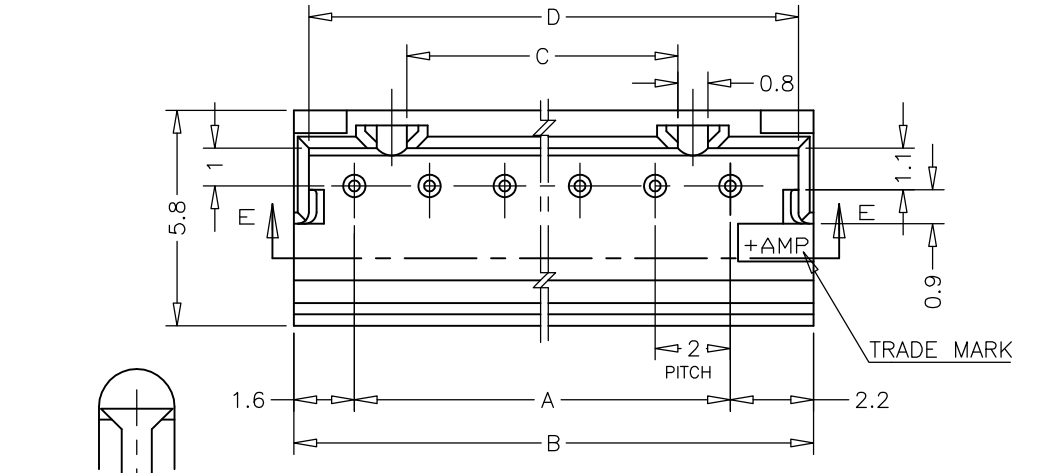
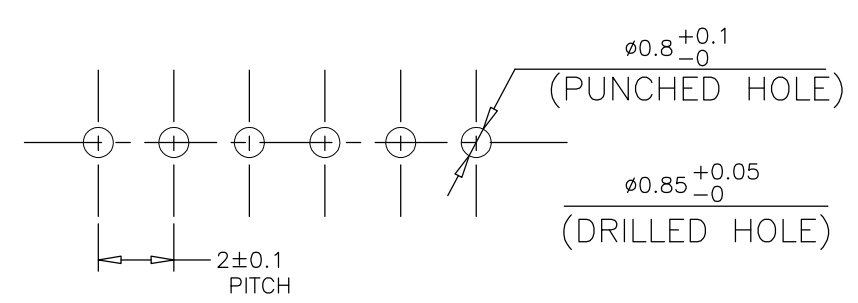


THIS DRAWING IS UNPUBLISHED. RELEASED FOR PUBLICATION
 © COPYRIGHT - By - ALL RIGHTS RESERVED.

LOC	DIST	REVISIONS					
FB	00	P	LTR	DESCRIPTION	DATE	DWN	APVD
		P		REVISED PER ECO-11-005033	29MAR11	RK	HMR



NOTES:
 1 MATERIAL : HOUSING-66 NYLON (UL94V-0)
 POST -GOLD-PLT BRASS
 2 APPLICABLE RECEPTACLE : P/N 176392



NOT ACCUMULATED TOLERANCE

RECOMMENDABLE P.C. BOARD LAYOUT
 (PCB THK : 0.8-1.6)

TOLERANCES UNLESS OTHERWISE SPECIFIED:

10>*	: ±0.2
30>*>10	: ±0.25
100>*>30	: ±0.3
ANGEL	: ±3°

THIS DRAWING IS A CONTROLLED DOCUMENT.		DWN	S.XU	31JAN03	STE TE Connectivity	
DIMENSIONS: mm		CHK	S.YAO	31JAN03		
TOLERANCES UNLESS OTHERWISE SPECIFIED:		APVD	T.SASAKI	31JAN03		
MATERIAL: SEE NOTE		PRODUCT SPEC	108-60016			
TOLERANCES UNLESS OTHERWISE SPECIFIED:		APPLICATION SPEC	-		NAME	POST HEADER ASS'Y (BOX-V) GOLD PLT TYPE (AMP CT CONNECTOR 2mm PITCH)
0 PLC ± -		SIZE	A3	00779	DRAWING NO	C-292134
1 PLC ± -		WEIGHT	-		CAGE CODE	RESTRICTED TO
2 PLC ± -		CUSTOMER DRAWING		SCALE	5:1	SHEET 1 OF 1
3 PLC ± -		SCALE		5:1	REV P	
4 PLC ± -		SHEET		1 OF 1	REV P	
ANGLES ± -		REV		P		
FINISH SEE NOTE						

NATURAL (WHITE)	1-292134-5	15	28	31.8	25.2	31.0
	1- ↑ -2	12	22	25.8	19.2	25.0
	1- -0	10	18	21.8	15.2	21.0
	-9	9	16	19.8	13.2	19.0
	-6	6	10	13.8	7.2	13.0
	-5	5	8	11.8	5.2	11.0
	-4	4	6	9.8	3.2	9.0
	-3	3	4	7.8	-	7.0
	292134-2	2	2	5.8	-	5.0
	COLOR	P/N	POS.	A	B	C