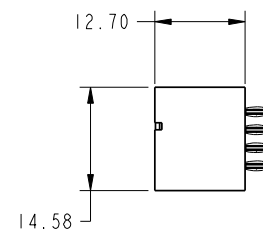
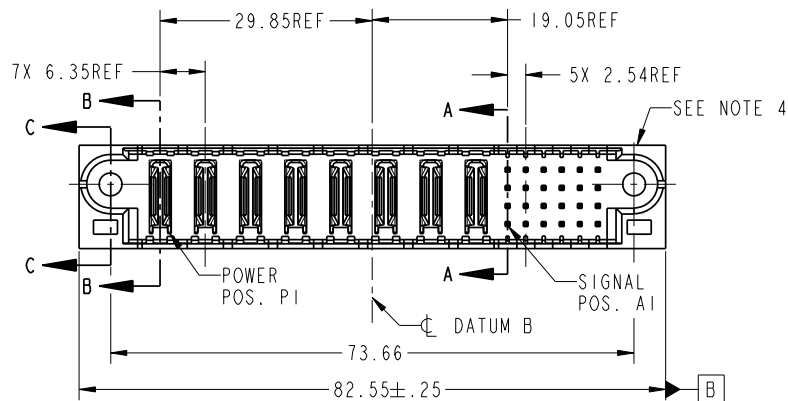


Tous droits strictement reserves. Reproduction ou communication a des tiers interdite sous quelque forme que ce soit sans autorisation écrite du propriétaire. Propriete de c FCI. Droits de reproduction FCI.



All rights strictly reserved. Reproduction or issue to third parties in any form whatever is not permitted without written authority from the proprietor. Property of FCI. Copyright FCI.

PRODUCT NO.	ROWS	POWER								SIGNAL							
		E1	P1	P2	P3	P4	P5	P6	P7	P8	1	2	3	4	5	6	E2
51712-006-- NOTE: 3	0 C B A		PC	PC	PC	PC	PC	PC	PC	PC	G	G	G	G	K	K	



CODE	DIM "M" MATING LENGTH	CONTACT TYPE
PC	[N/A]	POWER
G	[6.86]	SIGNAL
K	[5.59]	SIGNAL

mat'l code				SEE NOTE		tolerances unless otherwise specified		CUSTOMER		 www.fciconnect.com		
ltr	ecn no.	dr	date	linear	0.X ±0.3	COPY		projection		title		
A	V04-0667	TAB	06/28/04		0.XX ±0.13					8P + 24S		
B	DG05-0389	GuoJM	10/14/05		0.XXX ±0.051					VERTICAL PRESS-FIT HEADER		
C	DG07-0357	JULIA	09/10/07	angles	0° ±2°			MM		product family	PwrBlade	
				dr	T. BRUNGARD	06/28/04			scale	1:1	size	213
				enrg	M. GRAY	06/28/04					dwg no	51712-006
				chr	M. GRAY	06/28/04					sheet	1 of 4
				oppd	M. GRAY	06/28/04						
sheet index	revision	C	C	C	C							
	sheet	1	2	3	4							

cage code 22526

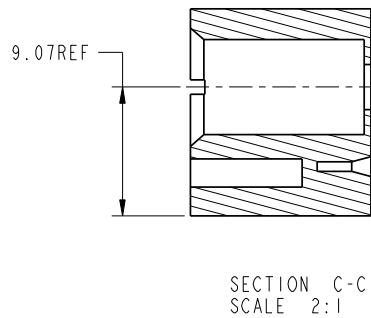
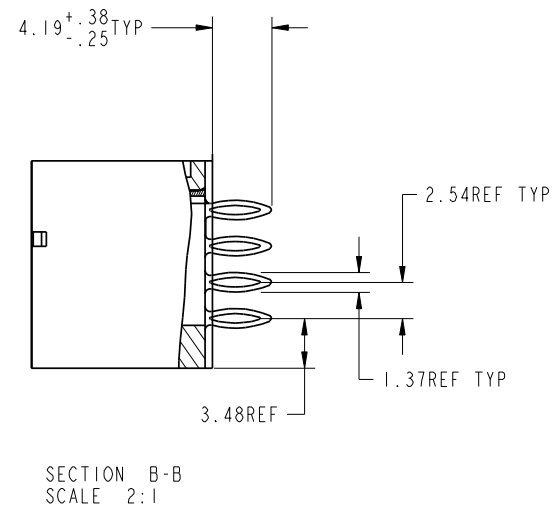
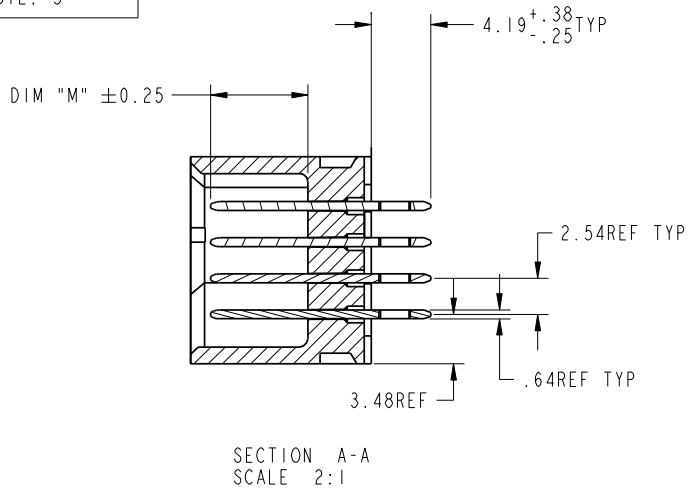
Pro/E

Tous droits strictement reserves. Reproduction ou communication a des tiers interdite sous quelque forme que ce soit sans autorisation ecrite du proprietaire. Propriete de c FCI. Droits de reproduction FCI.



All rights strictly reserved. Reproduction or issue to third parties in any form whatever is not permitted without written authority from the proprietor. Property of FCI. Copyright FCI.

PRODUCT NUMBER
51712-006--
NOTE: 3



mat'l code				SEE NOTE		tolerances unless otherwise specified		CUSTOMER		FCI www.fciconnect.com	
lfr	ecn no.	dr	date	linear	0.X ±0.3	COPY		projection		title	
c					0.XX ±0.13			⊕		8P + 24S	
				angles	0.XXX ±0.051			MM		VERTICAL PRESS-FIT HEADER	
				dr	0° ±2°	T. BRUNGARD 06/28/04		scale		product family PwrBlade code	
				enrg		M. GRAY 06/28/04		1:1		size	
				chr		M. GRAY 06/28/04		A		dwg no	
				appd		M. GRAY 06/28/04				51712-006	
sheet index	revision sheet										code
											213
											sheet
											2

cage code 22526

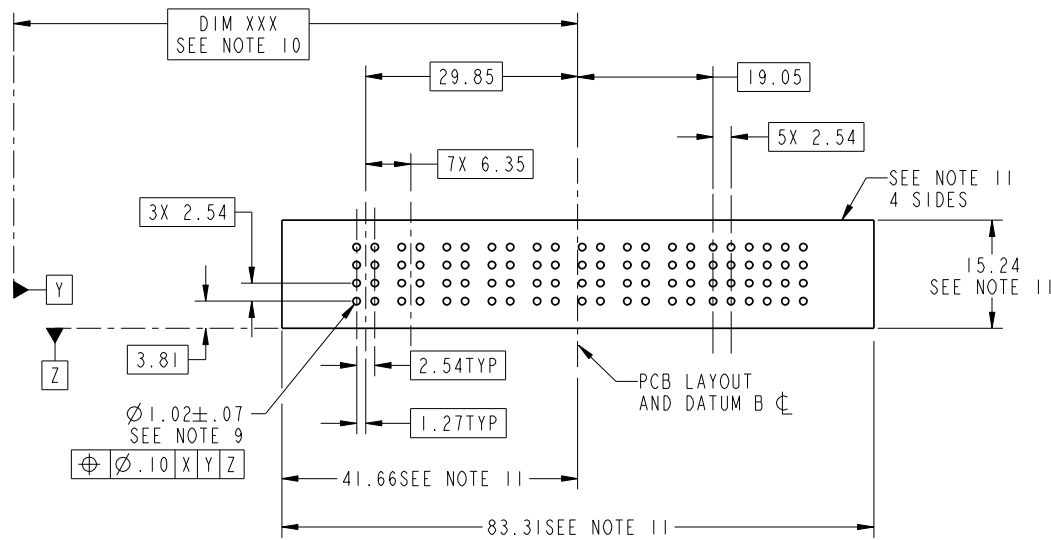
Pro/E

Tous droits strictement reserves. Reproduction ou communication a des tiers interdite sous quelque forme que ce soit sans autorisation écrite du propriétaire. Propriete de c FCI. Droits de reproduction FCI.



All rights strictly reserved. Reproduction or issue to third parties in any form whatever is not permitted without written authority from the proprietor. Property of FCI. Copyright FCI.

PRODUCT NUMBER
51712-006--
NOTE: 3



mat'l code				tolerances unless otherwise specified		CUSTOMER		FCI www.fciconnect.com	
lfr	ecr no.	dr	date	linear	0.X ± 0.3	COPY		projection	title
C					0.XX ± 0.13				8P + 24S
				angles	0.XXX ± 0.051				VERTICAL PRESS-FIT HEADER
				dr	0° ± 2°				product family
				enrg	T. BRUNGARD 06/28/04	MM			PwrBlade
				chr	M. GRAY 06/28/04	scale		size	code
				appd	M. GRAY 06/28/04	1:1		dwg no	213
sheet index	revision	sheet						51712-006	sheet
								A	3 of 4

cage code 22526

Pro/E

Tous droits strictement reserves. Reproduction ou communication a des tiers interdite sous quelque forme que ce soit sans autorisation écrite du propriétaire. Propriété de c FCI. Droits de reproduction FCI.



All rights strictly reserved. Reproduction or issue to third parties in any form whatever is not permitted without written authority from the proprietor. Property of FCI. Copyright FCI.

1 | 2

3 |

4

PRODUCT NUMBER
51712-006--
NOTE: 3

NOTES:

1. DIMENSIONS AND TOLERANCES ARE IN ACCORDANCE WITH ASME Y14.5M, 1994 UNLESS OTHERWISE SPECIFIED.

CONNECTOR NOTES:

- ② HOUSING MATERIAL: UL 94 V-0 GLASS FILLED HIGH-TEMP THERMOPLASTIC
POWER CONTACT MATERIAL: COPPER ALLOY
SIGNAL PIN MATERIAL: COPPER ALLOY
 - 3. PLATING:
51712-006 ,51712-006LF PLATING SPEC. WAS SHOWN IN THE PRINT OF 10064183.
 - ④ MANUFACTURER'S NAME, P/N, AND DATE CODE TO APPEAR ON THIS SURFACE.
 - 5. PRODUCT SPECIFICATION GS-12-149.
APPLICATION SPECIFICATION BUS-20-067.
 - 6. PACKAGED IN TRAYS.
- PCB NOTES:**
- 7. ALL HOLE DIAMETERS ARE FINISHED HOLE SIZE.
 - 8. MOUNTING HOLES, WHERE APPLICABLE, ARE UNPLATED.
 - ⑨ $\varnothing 1.151 \pm 0.025$ DRILLED HOLES PLATED WITH 0.008 MIN SnPb OR Sn OVER .001 [0.03] TO 0.08 Cu PLATING TO ACHIEVE $\varnothing 1.02 \pm .07$ HOLE.
 - ⑩ "DIM XXX" TO BE DETERMINED BY THE CUSTOMER.
 - ⑪ CONNECTOR KEEP-OUT ZONE.
12. FOR PRESS FIT APPLICATION USE FCI CAM TOOL 430169-XXX.

A

A

B

B

mat'l code				SEE NOTE		tolerances unless otherwise specified		CUSTOMER		FCI www.fciconnect.com	
lfr	ecr no.	dr	date	linear	0.X ±0.3	COPY		projection		title	
C					0.XX ±0.13					8P + 24S VERTICAL PRESS-FIT HEADER	
				angles	0° ±2°					product family PwrBlade code 213	
				dr	T. BRUNGARD 06/28/04			scale 1:1		size A	
				enrg	M. GRAY 06/28/04					dwg no 51712-006 sheet 4	
				chr	M. GRAY 06/28/04						
				appd	M. GRAY 06/28/04						
sheet index	revision sheet										

1 | 2

Pro/E

3 |

cage code 22526

4