

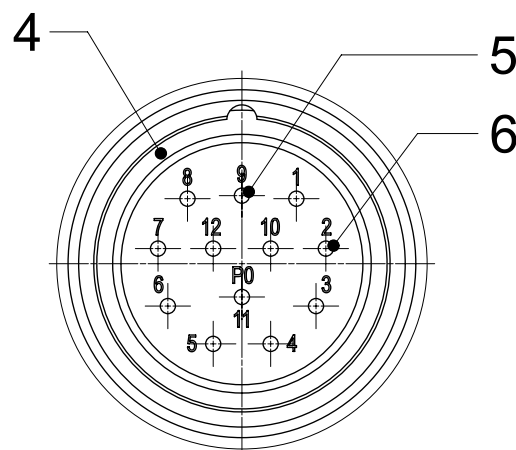
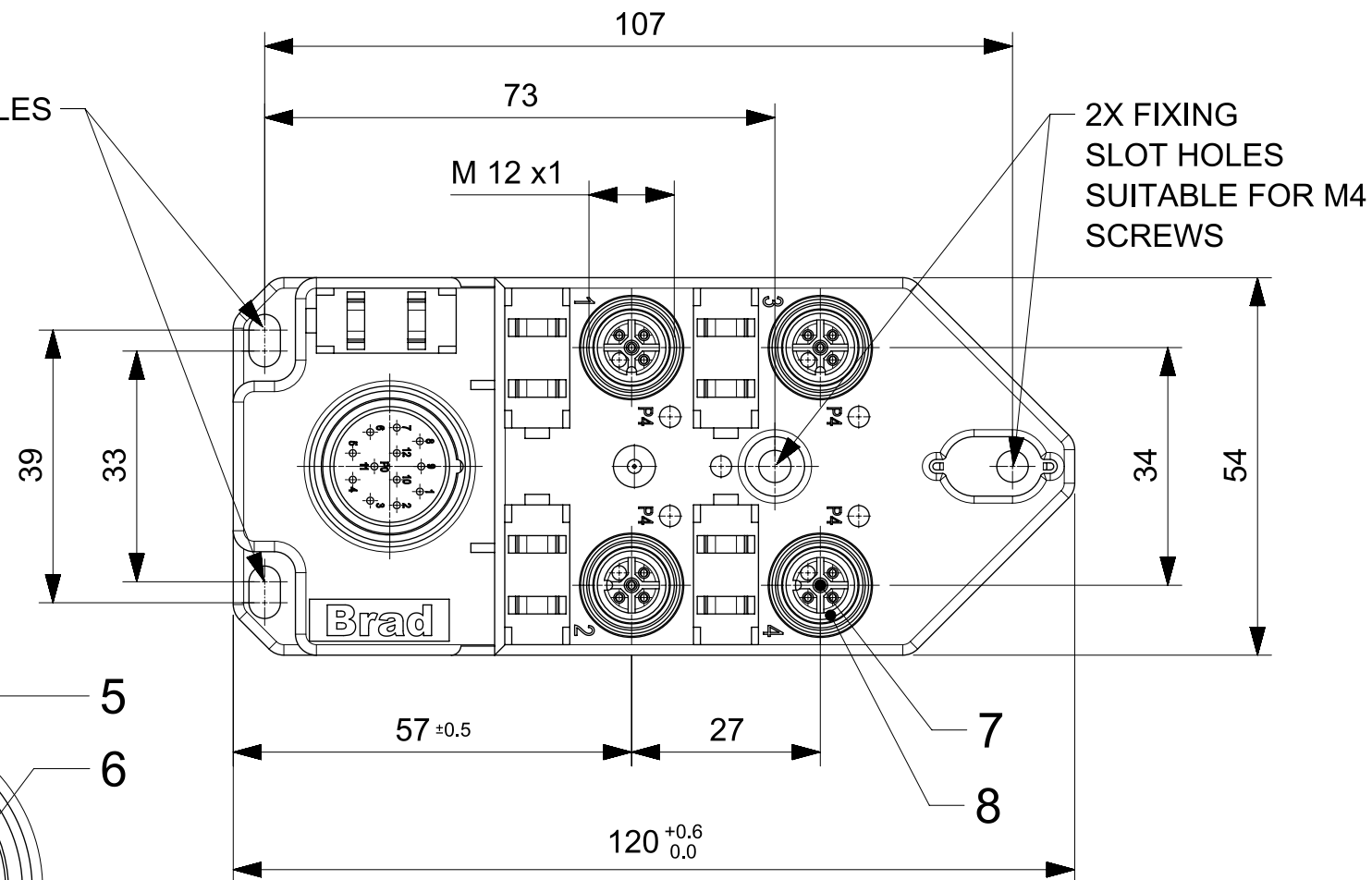
TABLE 1

MOLEX P/N	ENG. NO.	LED
1202480055	BTB4010-FBC	NO
1202480056	BTB401P-FBC	YES

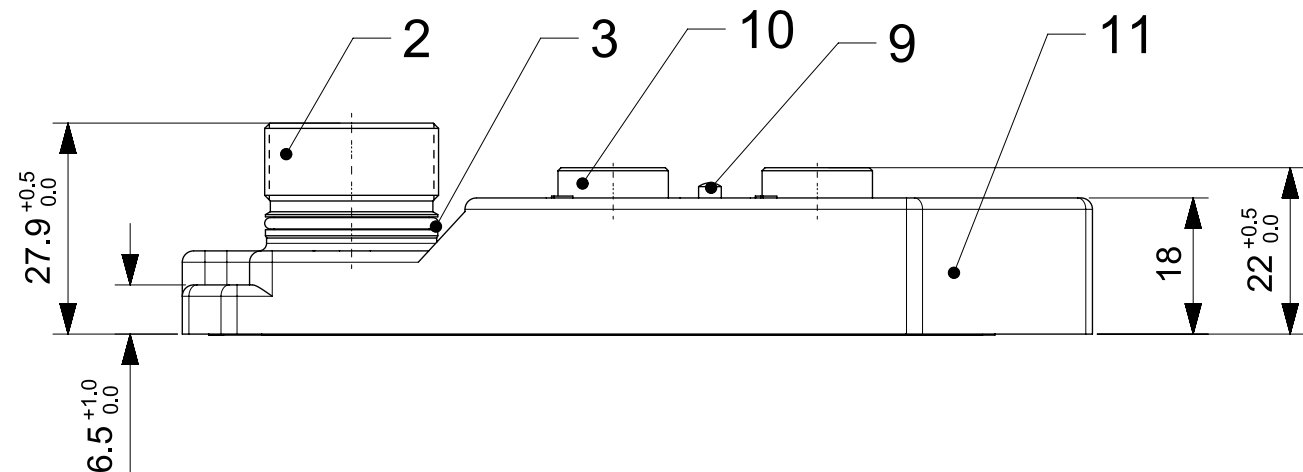
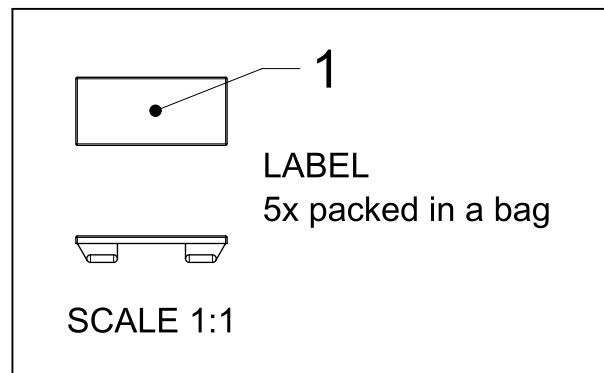
TABLE 2 BILL OF MATERIAL

ITEM	DESCRIPTION	MATERIAL	FINISH
1	LABEL	ABS	WHITE
2	SHELL	BRASS	NICKEL PLATED
3	O-RING	NBR	BLACK
4	O-RING	NBR	BLACK
5	CONTACT	BRASS	GOLD OVER NICKEL
6	CONTACT	BRASS	GOLD OVER NICKEL
7	CONTACT	BRONZE	GOLD OVER NICKEL
8	O-RING	FPM	RED
9	LED	NO LED = PA	BLACK
		WITH LED = PA	TRANSPARENT
10	SHELL	BRASS	NICKEL PLATED
11	HOUSING	PBT	BLACK

2X FIXING SLOT HOLES
SUITABLE FOR M4
SCREWS



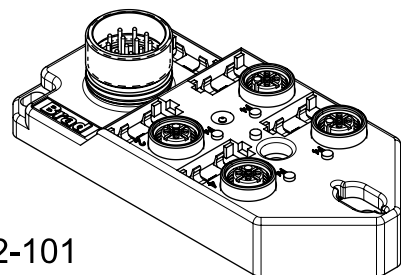
SCALE
2:1



GENERAL CHARACTERISTICS:

ELECTRICAL AND MECHANICAL DATA ACC. TO IEC 61076-2-101

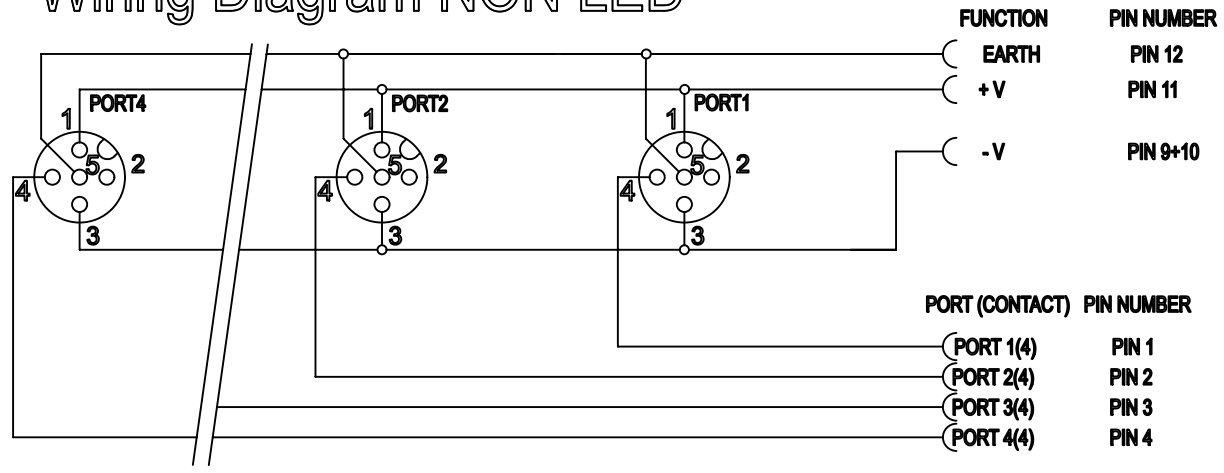
NOMINAL VOLTAGE: 10-30 V DC
 AMPERE RATING: 4 A PER PORT / 12 A MAX
 AMPERE RATING WITH UL REGISTRATION: 3 A PER PORT / 9 A MAX
 IP DEGREE OF PROTECTION: IP 67
 TEMPERATURE RANGE: -25°C to + 85°C



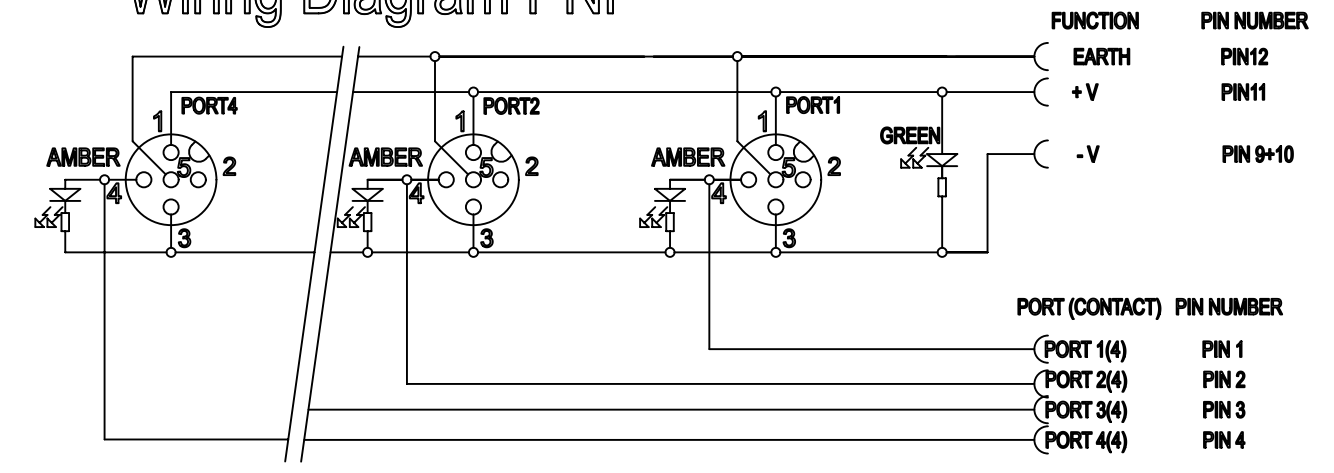
SCALE
1:2

THIS DRAWING CONTAINS INFORMATION THAT IS PROPRIETARY TO MOLEX INCORPORATED AND SHOULD NOT BE USED WITHOUT WRITTEN PERMISSION											
EC DESCRIPTION EC NO: 100591 DRWN: AAHLERS CHK'D: REV APPR: RSILLER	2015/06/09	2015/07/02	QUALITY SYMBOLS	GENERAL TOLERANCES (UNLESS SPECIFIED)	DIMENSION UNITS	SCALE					
			∇ = 0 ∇ = 0 ∇ = 0 ▼ = 0 ∇ = 0 ⊠ = 0 ■ = 0 ∇ = 0	ANGULAR TOL ± ° 4 PLACES ± 3 PLACES ± 2 PLACES ± 1 PLACE ± 0 PLACES ± 0.25 DRAFT WHERE APPLICABLE MUST REMAIN WITHIN DIMENSIONS	MM	1:1					
			DRWN BY	DATE	MPIS M12 PNP NPN NOS 4P 4PT 12P M23 BK XM STA SINGLE						
			AAHLERS	2015/04/02	PRODUCT CUSTOMER DRAWING						
CHK'D:					DRWN BY	DATE	SERIES	MATERIAL NUMBER	CUSTOMER		
					AAHLERS	2015/05/20	120248	SEE TABLE 1	GENERAL MARKET		
APPR:					CHK'D BY	DATE	DOCUMENT NUMBER		DOC TYPE	DOC PART	SHEET NUMBER
RSILLER					RSILLER	2015/05/20	1202480055		PSD	000	1 OF 2
REV	A1				APPR BY	DATE	DRAWING SIZE	THIRD ANGLE PROJECTION			
							A3				

Wiring Diagram NON LED



Wiring Diagram PNP



THIS DRAWING CONTAINS INFORMATION THAT IS PROPRIETARY TO MOLEX INCORPORATED AND SHOULD NOT BE USED WITHOUT WRITTEN PERMISSION

EC DESCRIPTION EC NO: 100591 DRWN: AAHLERS CHK'D: APPR: RSILLER	2015/06/09 2015/07/02	QUALITY SYMBOLS ▽ = 0 ▽ = 0 ▽ = 0 ▼ = 0 ▽ = 0 ☒ = 0 ■ = 0 ▽ = 0	GENERAL TOLERANCES (UNLESS SPECIFIED) ANGULAR TOL ± ° 4 PLACES ± 3 PLACES ± 2 PLACES ± 1 PLACE ± 0 PLACES ± 0.25 DRAFT WHERE APPLICABLE MUST REMAIN WITHIN DIMENSIONS	DIMENSION UNITS MM	SCALE 1:1			
		DRWN BY AAHLERS	DATE 2015/04/02	MPIS M12 PNP NPN NOS 4P 4PT 12P M23 BK XM STA SINGLE				
		CHK'D BY RSILLER	DATE 2015/05/20	PRODUCT CUSTOMER DRAWING				
		APPR BY RSILLER	DATE 2015/05/20	SERIES 120248	MATERIAL NUMBER SEE TABLE 1	CUSTOMER GENERAL MARKET		
REV A1	DRAWING SIZE A3	THIRD ANGLE PROJECTION	DOCUMENT NUMBER 1202480055	DOC TYPE PSD	DOC PART 000	SHEET NUMBER 2 OF 2		