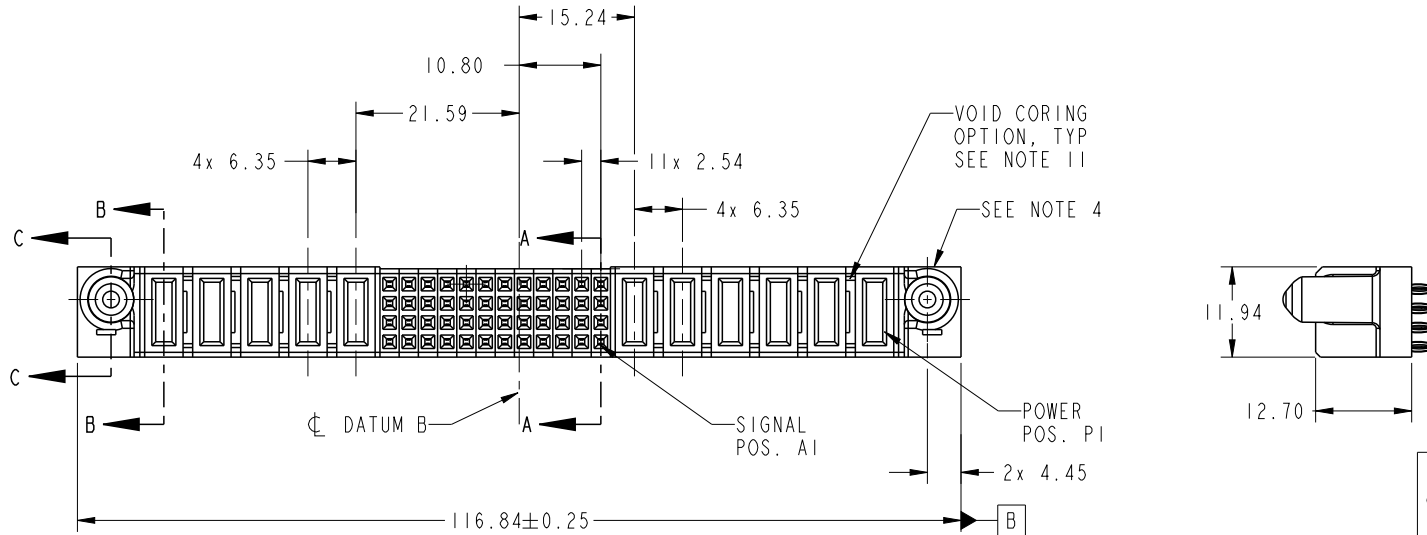


PRODUCT NO. 51750-134-- NOTE: 3	ROWS D C B A	POWER					SIGNAL											POWER					E1		
		E2	P11	P10	P9	P8	P7	12	11	10	9	8	7	6	5	4	3	2	1		P5	P4		P3	P2
			PF	PF	PF	PF	PF	F	F	F	F	F	F	F	F	F	F	F	F	PC	PC	PC	PC	PC	

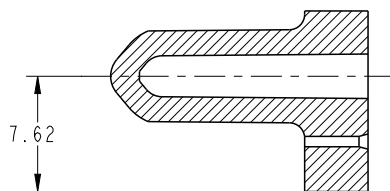
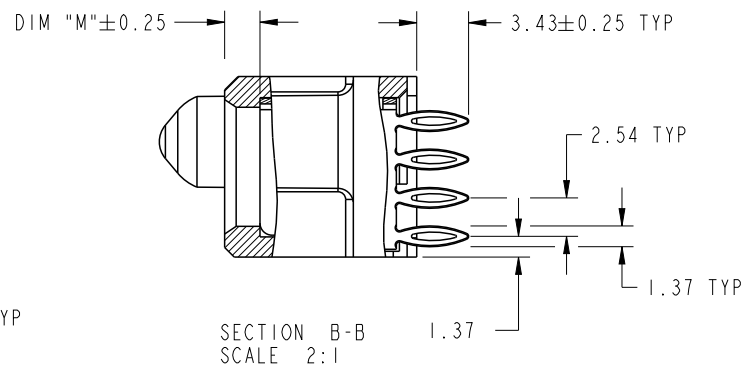
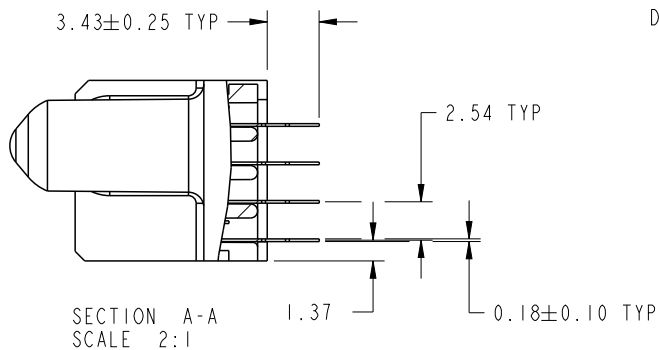


CODE	DIM "M" MATING LENGTH	CONTACT TYPE
PF	[2.34]	POWER
PC	[1.07]	POWER
F	[N/A]	SIGNAL

spec ref	*	dr	Ruan MT	2013/05/14	projection	MM	size	A4	scale	1:1
tolerance std	TOLERANCES UNLESS OTHERWISE SPECIFIED	eng	Ruan MT	2013/05/29			ecn no	-		
SEE NOTE		chr	-	-	product family	PwrBlade	rel level	Released		
surface	linear	appr	Pei-Ming Zheng	2013/05/29	title	6P + 48S + 5P	dwg no	51750-134	rev	A
	angular			www.fci.com	cat. no.	*	Product - Customer Drw	sheet 1 of 4		
		0.X	±0.5							
		0.XX	±0.25							
		0.XXX	±0.1							
		0°	±2°							

PRODUCT NUMBER

51750-134\_\_  
NOTE: 3

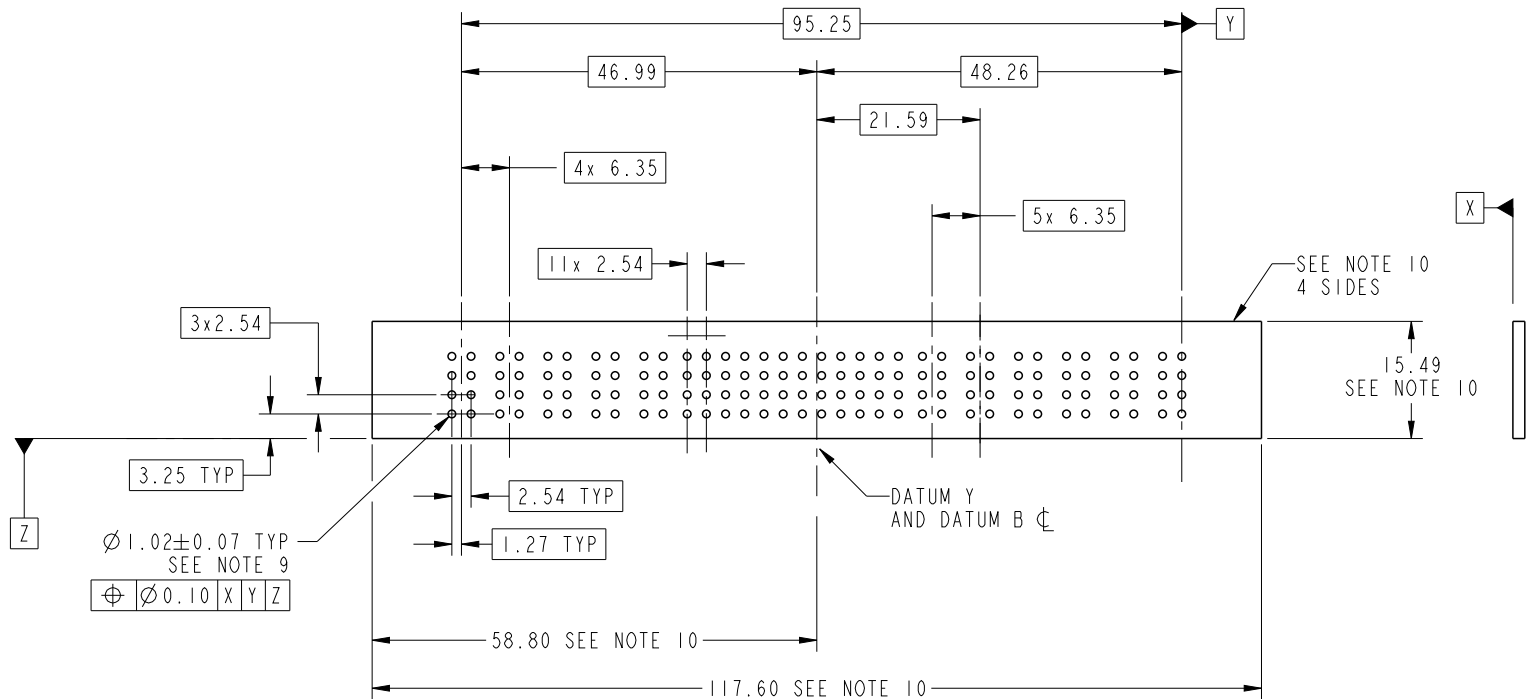


SECTION C-C  
SCALE 2:1

dr	Ruan MT	2013/05/14	projection 	MM 	size	A4	scale	1:1	
eng	Ruan MT	2013/05/29			ecn no	-			
chr	-	-			rel level	Released			
appr	Pei-Ming Zheng	2013/05/29	product family	PwrBlade					
		title	6P + 48S + 5P VERTICAL PRESS-FIT RECEPT		dwg no	51750-134		rev	A
www.fci.com		cat. no.	*	Product - Customer Drw			sheet 2 of 4		

PRODUCT NUMBER

51750-134\_\_  
NOTE: 3



RECOMMENDED PCB LAYOUT

dr	Ruan MT	2013/05/14	projection 	MM 	size	A4	scale	1:1			
eng	Ruan MT	2013/05/29			ecn no	-					
chr	-	-			rel level	Released					
appr	Pei-Ming Zheng	2013/05/29	product family	PwrBlade							
		title			6P + 48S + 5P		dwg no		51750-134	rev	A
www.fci.com		cat. no.			*		Product - Customer Drw		sheet 3 of 4		

PRODUCT NUMBER

51750-134\_\_  
NOTE: 3

NOTES:

1. DIMENSIONS AND TOLERANCES ARE IN ACCORDANCE WITH ASME Y14.5M, 1994 UNLESS OTHERWISE SPECIFIED.

CONNECTOR NOTES:

- 2 HOUSING MATERIAL: UL 94 V-0 GLASS FILLED HIGH-TEMP THERMOPLASTIC  
POWER CONTACT MATERIAL: COPPER ALLOY  
SIGNAL PIN MATERIAL: COPPER ALLOY
- 3. SEE ITEM 7 & 8 IN PRINT 10064183 FOR PLATING SPEC OF 51750-134 AND 51750-134LF RESPECTIVELY.
- 4 MANUFACTURER'S NAME, DATE CODE AND OPTIONAL P/N TO APPEAR ON THIS SURFACE. THE MARK CAN BE OMITTED IF THERE IS NOT ENOUGH SPACE ON THIS SURFACE.
- 5. PRODUCT SPECIFICATION GS-12-149.  
APPLICATION SPECIFICATION BUS-20-067.
- 6. PACKAGED IN TRAYS.
- PCB NOTES:
- 7. ALL HOLE DIAMETERS ARE FINISHED HOLE SIZE.
- 8 MOUNTING HOLES, WHERE APPLICABLE, ARE UNPLATED.
- 9  $\varnothing 1.151 \pm 0.025$  DRILLED HOLES PLATED WITH  
0.008 MIN SnPb OR Sn OVER 0.03  
TO 0.08 Cu PLATING TO ACHIEVE  
 $\varnothing 1.02 \pm 0.07$  HOLE.
- 10 CONNECTOR KEEP-OUT ZONE.
- 11. THE VOID CORING IN BETWEEN POWER MODULES, SIGNAL MODULES AND END MODULES ARE OPTIONAL AND THE SHAPE MAY BE DIFFERENT FOR OPTIMIZE THE MOLDING PROCESS. THE VOID CORING WILL NOT EFFECT TO PRODUCT FUNCTION.



Copyright FCI.

dr	Ruan MT	2013/05/14	projection 	MM 	size	A4	scale	1:1			
eng	Ruan MT	2013/05/29			ecn no	-					
chr	-	-			product family	PwrBlade	rel level	Released			
appr	Pei-Ming Zheng	2013/05/29			title	6P + 48S + 5P		dwg no	51750-134	rev	A
www.fci.com		cat. no.	*	Product - Customer Drw			sheet 4 of 4				