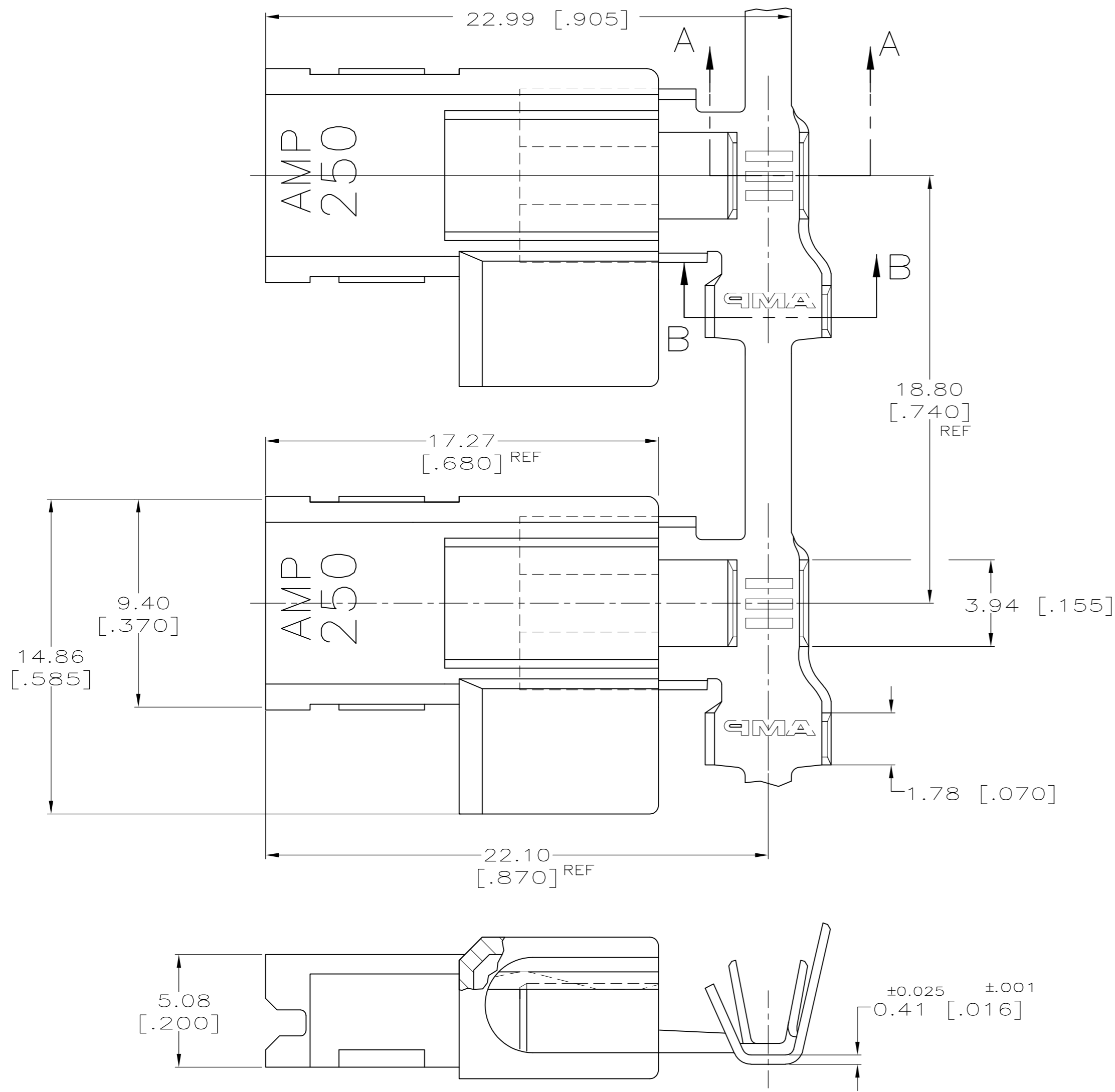
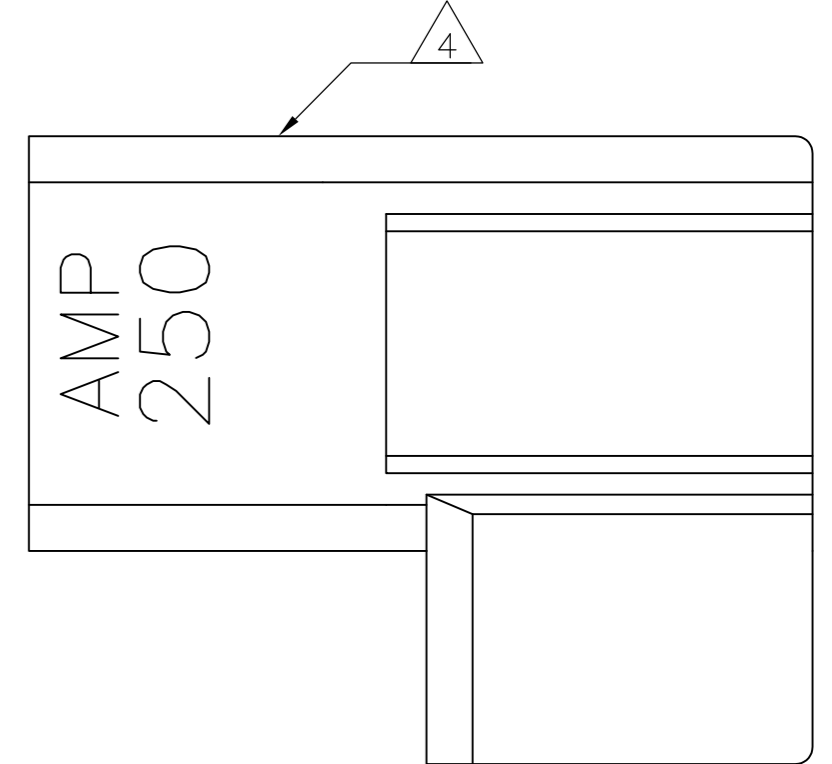
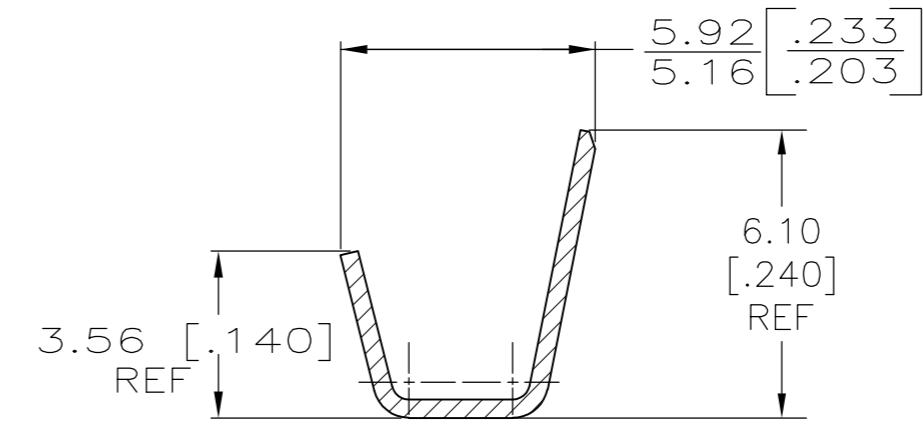
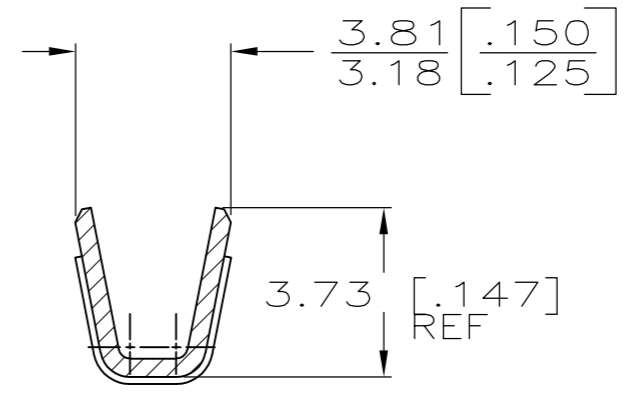


THIS DRAWING IS UNPUBLISHED. RELEASED FOR PUBLICATION
 © COPYRIGHT - By - ALL RIGHTS RESERVED.

LOC		DIST		REVISIONS			
P	LTR	DESCRIPTION		DATE	DWN	APVD	
AF	50	D3	REVISED PER ECR-12-013219		08JAN13	KH	KR



- 1 BUDGET FLAG FASTON TERMINALS, BASE P/N 63559, ARE USED IN THIS PRODUCT.
- 2 WIRE SIZE [#18-#14] AWG.
- 3 INSULATION RANGE IS 2.79-4.06 [.110-.160] DIA.
- 4 ALTERNATIVE HOUSING FORM



STANDARD	6/6 NYLON, VO / NATURAL	TIN PLATE - BRASS	521282-2
	6/6 NYLON, VO / NATURAL	PLAIN - BRASS	521282-1
PACKAGING	HOUSING MATERIAL / COLOR	TERMINAL FINISH - MATERIAL	PART NO
THIS DRAWING IS A CONTROLLED DOCUMENT.		DWN 13MAR00 JR RUTH	 TE Connectivity ASSEMBLY, RECEPTACLE, FLAG, ULTRA-POD, 6.35 [.250] SERIES
DIMENSIONS: mm [INCHES]		CHK 13MAR00 MS FEHER	
TOLERANCES UNLESS OTHERWISE SPECIFIED:		APVD 13MAR03 J HUMMEL	
0 PLC ± - 1 PLC ± - 2 PLC ± - 3 PLC ± 0.25 [.010] 4 PLC ± - ANGLES ± - FINISH SEE TABLE		PRODUCT SPEC 108-1285 APPLICATION SPEC 114-2124 WEIGHT - CUSTOMER DRAWING	
MATERIAL	SEE TABLE	SIZE A2	CAGE CODE 00779
		DRAWING NO C=521282	RESTRICTED TO -
		SCALE 6:1	SHEET 1 of 1
			REV D3