

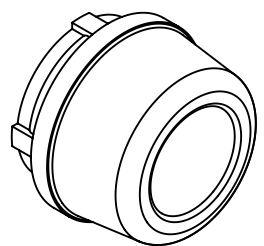
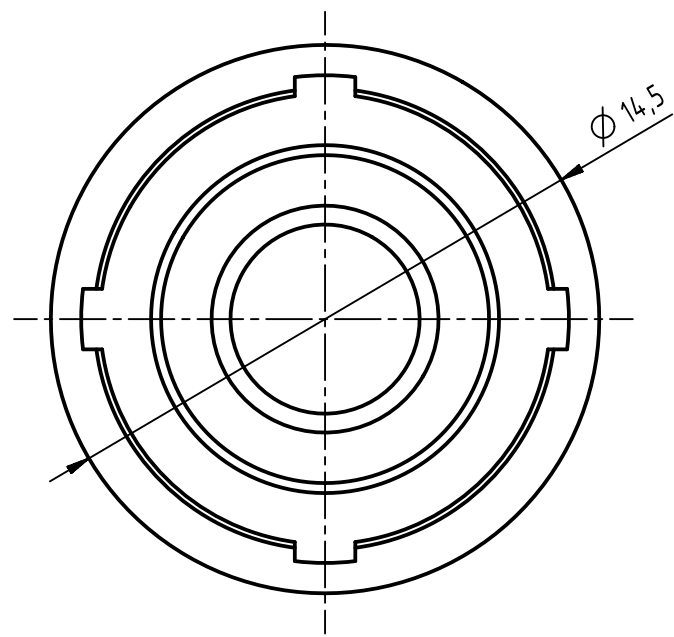
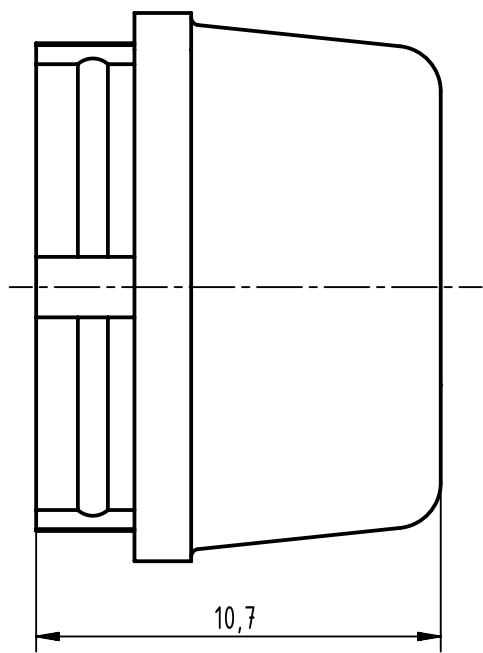
1 2 3 4 5 6


A

B

C

D



	All rights reserved Department EC PD - DE	All Dimensions in mm Original Size DIN A4		Scale 5:1	Free size tol.		Ref.		
		HARTING Electronics GmbH D-32339 Espelkamp		Created by DYCKC	Inspected by WELLMANN	Standardisation KOHLER	Date 2013-05-28	State Final Release	
		Title M12-L sealing diameter 6-8					Doc-Key / ECM-Nr. 100092994/UGD/002/B 500000061484		
		Type TB	Number 21010102007		Rev. B		Page 1/1		