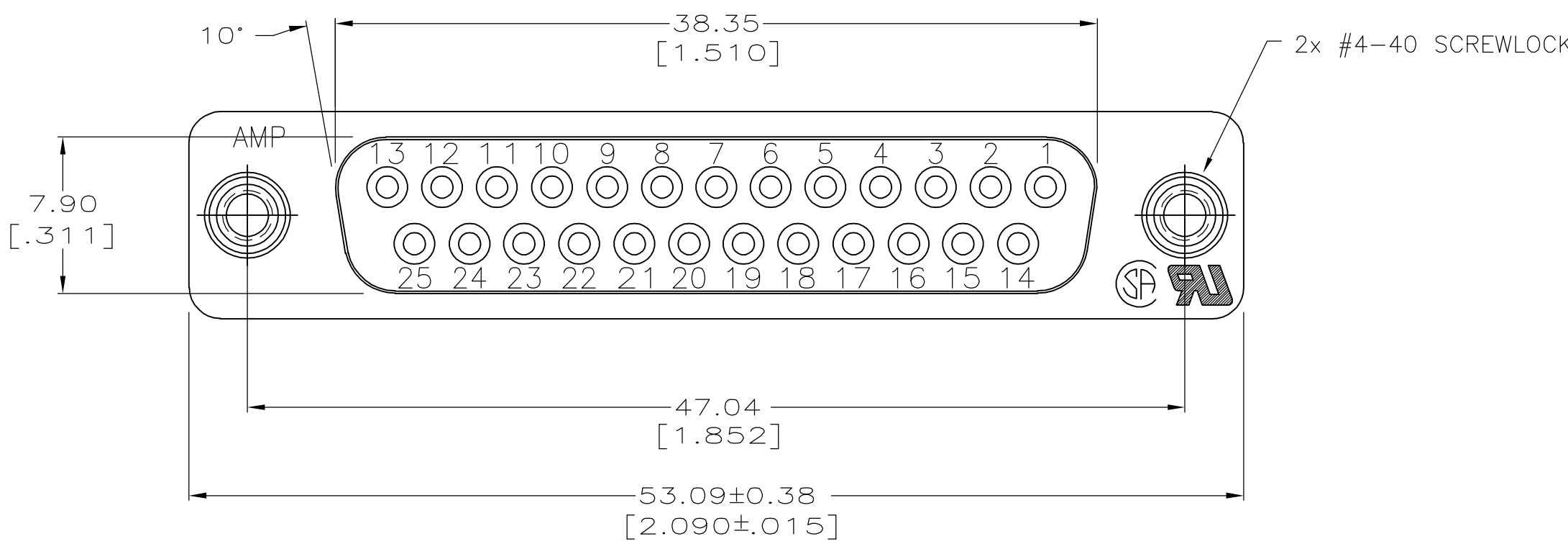
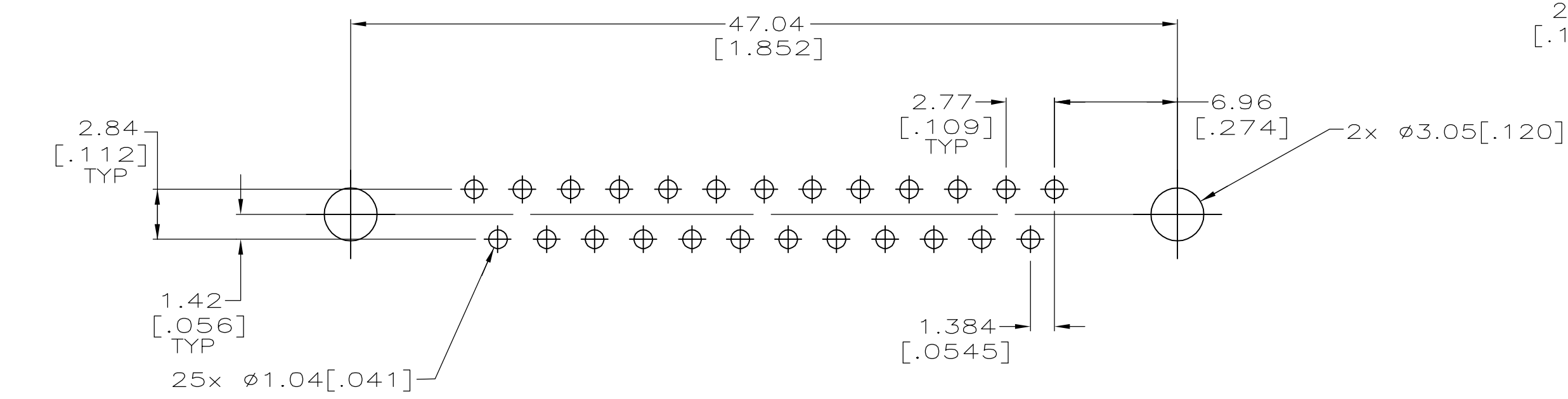
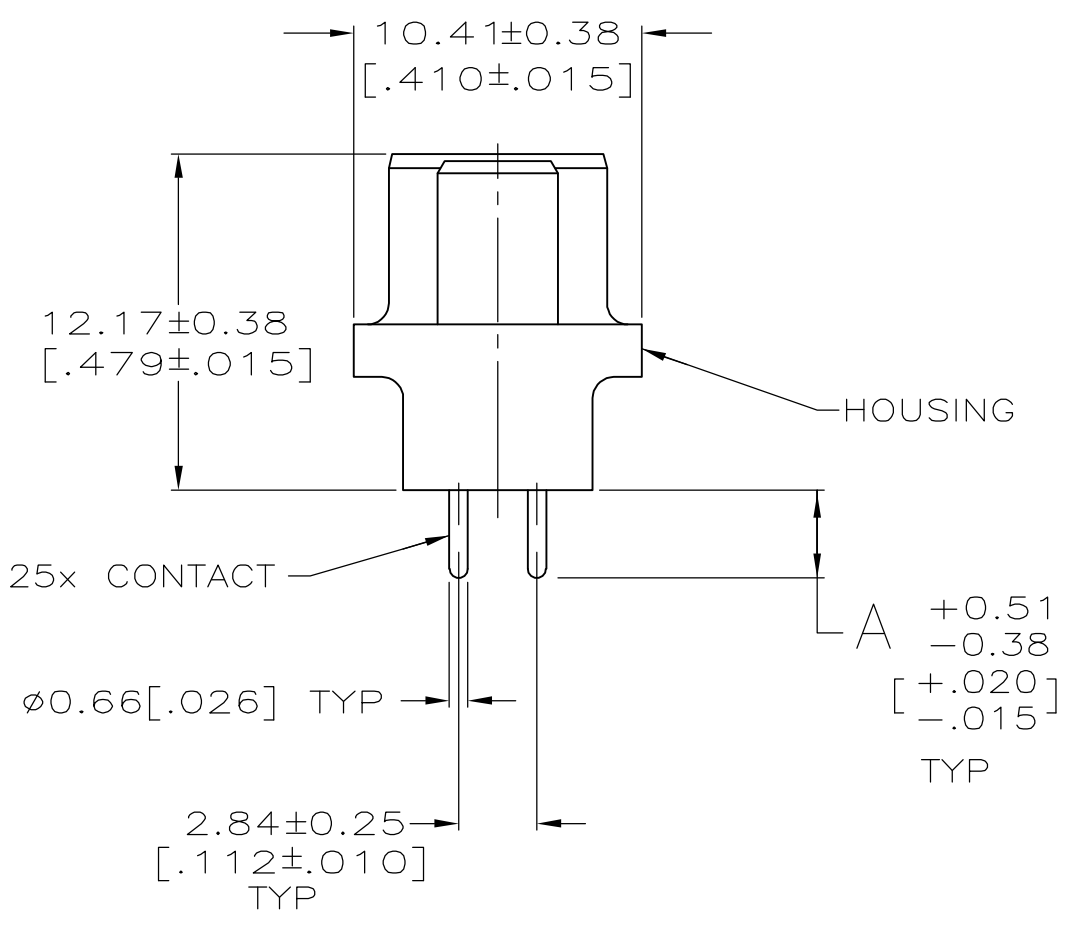
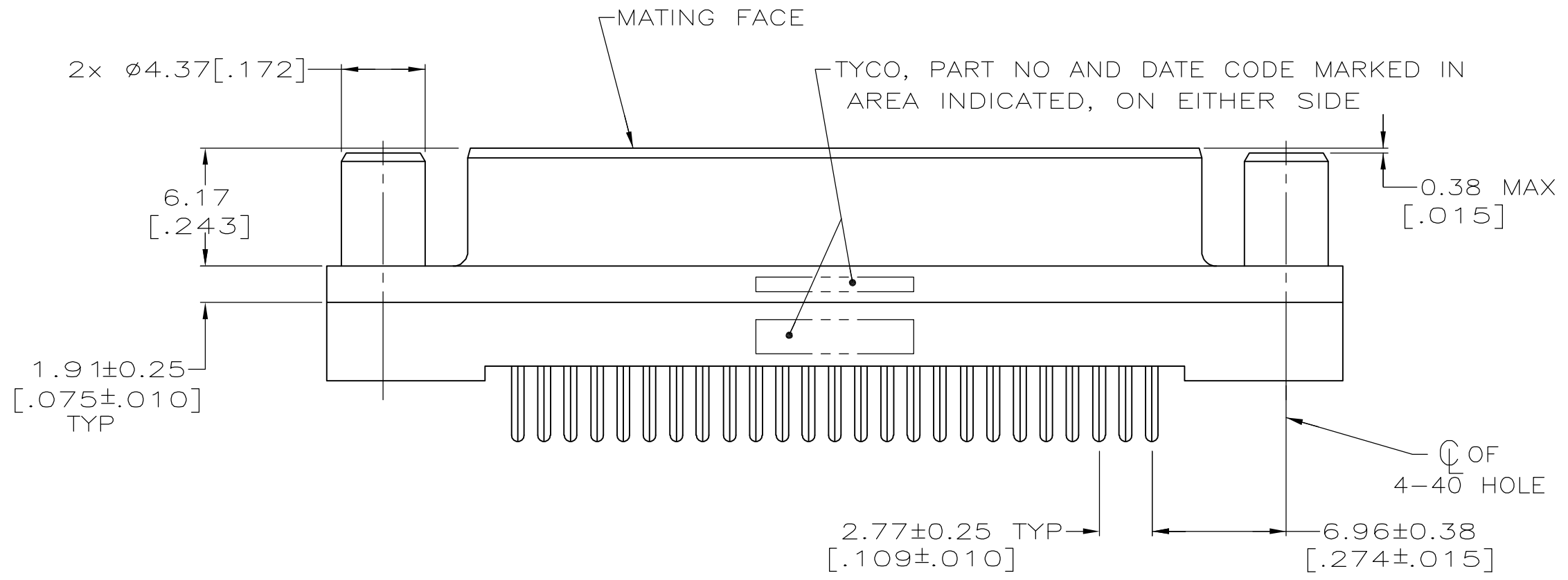


LOC	DIST	REVISIONS			
P	LTR	DESCRIPTION	DATE	OWN	APVD
GP	00	0	RELEASED PER EC 0513-0087-05	14SEP05	GP JG



- 1 HOUSING: BLACK POLYESTER, UL 94V-0 RATED; CONTACTS: CONTACTS: PHOSPHOR BRONZE; SCREWLOCKS: BRASS.
- 2 CONTACTS: SEE TABLE.
SCREWLOCKS: 1.27µm[.000050] MIN NICKEL OVER COPPER FLASH.
- 3 GOLD FLASH FOR A LENGTH OF 2.54[.100] MIN FROM MATING END, 2.54µm[.000100] MIN TIN FOR A LENGTH OF DIMENSION A FROM OPPOSITE END, ALL OVER 1.27µm[.000050] MIN NICKEL.
- 4 0.76µm[.000030] MIN GOLD FOR A LENGTH OF 2.54[.100] MIN FROM MATING END, 2.54µm[.000100] MIN TIN FOR A LENGTH OF DIMENSION A FROM OPPOSITE END, ALL OVER 1.27µm[.000050] MIN NICKEL.



RECOMMENDED PC BOARD MOUNTING DIMENSIONS

4.32 [.170]	4	5745078-6
4.32 [.170]	3	5745078-5
3.18 [.125]	4	5745078-4
3.18 [.125]	3	5745078-3
A	CONTACT FINISH	PART NO

**COPYRIGHT 2005
TYCO ELECTRONICS CORP
ALL RIGHTS RESERVED**

THIS DRAWING IS A CONTROLLED DOCUMENT.		DWN	14SEP05	Tyco Electronics Corporation	
DIMENSIONS: mm [INCHES]		CHK	14SEP05	Harrisburg, PA 17105-3608	
TOLERANCES UNLESS OTHERWISE SPECIFIED:		APVD	14SEP05	NAME	
0 PLC	± -	M.WALMSLEY		RECEPTACLE ASSEMBLY, SIZE 3,	
1 PLC	± -	PRODUCT SPEC		25 POSN, VERTICAL,	
2 PLC	± -	APPLICATION SPEC		AMPLIMITE HD-20	
3 PLC	± 0.13 [.005]	SIZE		CAGE CODE	DRAWING NO
4 PLC	± -	A2		00779	5745078
ANGLES	± - ± 2'	WEIGHT		RESTRICTED TO	
FINISH		CUSTOMER DRAWING		SCALE	SHEET
				4:1	1 of 1
					REV 0