



HS L1.5 Door Stop Extension Spacer for Egress Doors

Required Tools and Components

PROVIDED BY MANUFACTURER

(per module set)

[1] Door Stop Extension Plate
Part. No. 1524

PROVIDED BY INSTALLER

Phillip screwdriver or a Phillips bit
for use in the drill/bit-driver

Blade screwdriver or a blade bit
for use in the drill/bit-driver

1/6" SPACERS (4/BAG -
MAGNASPHERE P/N 1270)

HS-L1.5 Switch Module

HS-L1.5 Magnet Module

[2] #8 Flat-head self-tapping screws

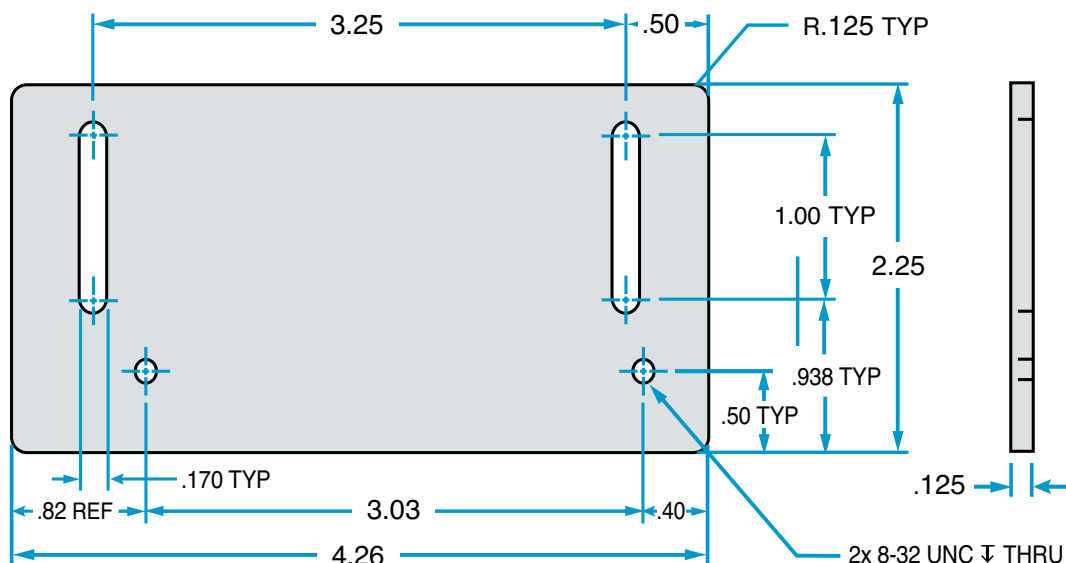
[2] #8 Pan-head screws

[1] #8-32 Pan-head screw

[1] #8-32 Flat-head screw

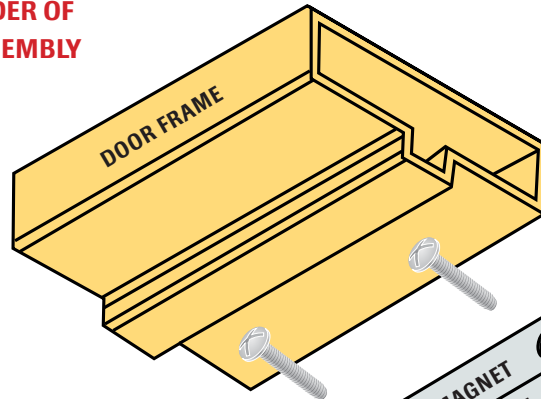
#8 Tap drill

Power drill



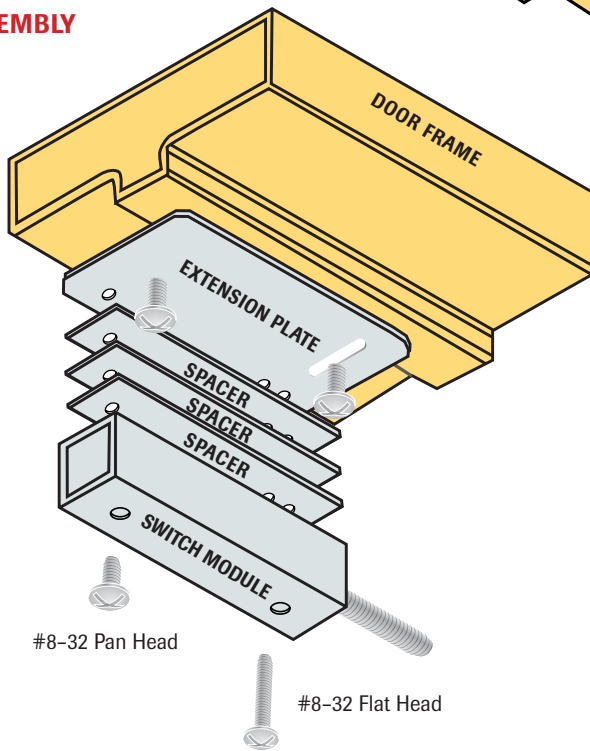
HS L1.5 Door Stop Extension Spacer for Egress Doors

MAGNET MODULE ORDER OF ASSEMBLY



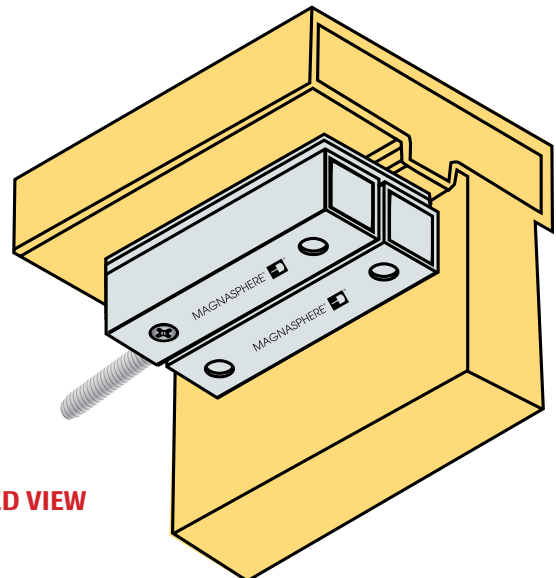
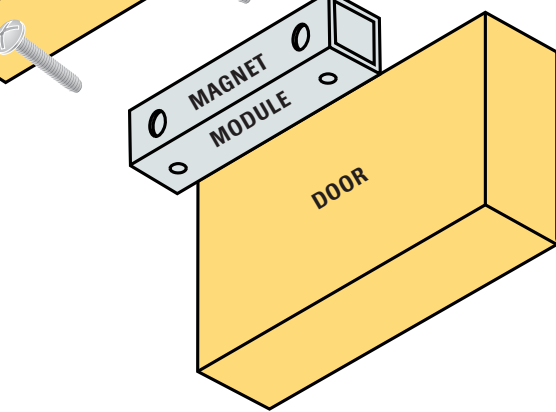
NOTE: 1/16" spacers (P/N 1270 can be used if necessary to achieve the proper operational gap of 0.25".

SWITCH MODULE ORDER OF ASSEMBLY



#8-32 Pan Head

#8-32 Flat Head

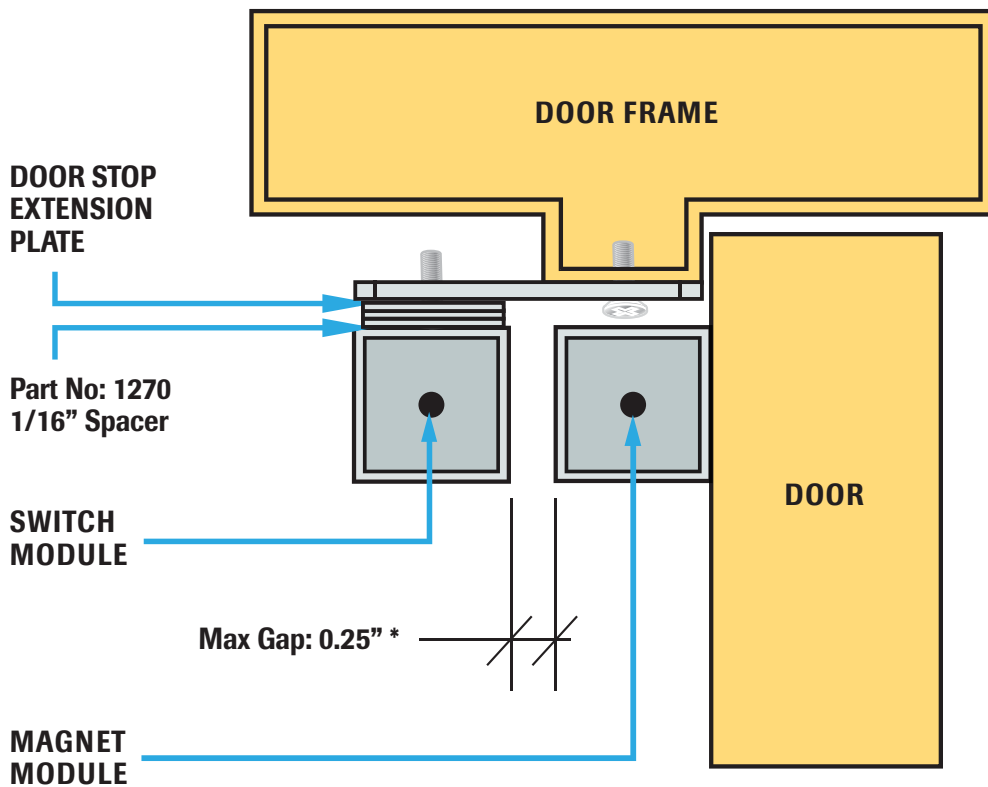


ASSEMBLED VIEW

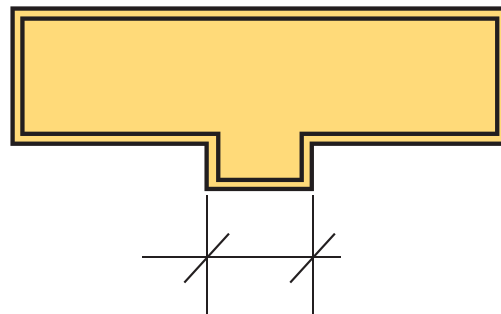
DO NOT over-torque the switch mount screws, doing so will strip the threads.



HS L1.5 Door Stop Extension Spacer for Egress Doors



Extension plate is suitable for egress door set-up with a door stop/jam smaller than 2 inches. No plate should be necessary for most door stops which are at least 2 inches thick.



Please refer to the HS-L1.5 instructions manual for detailed installation and orientation instructions.