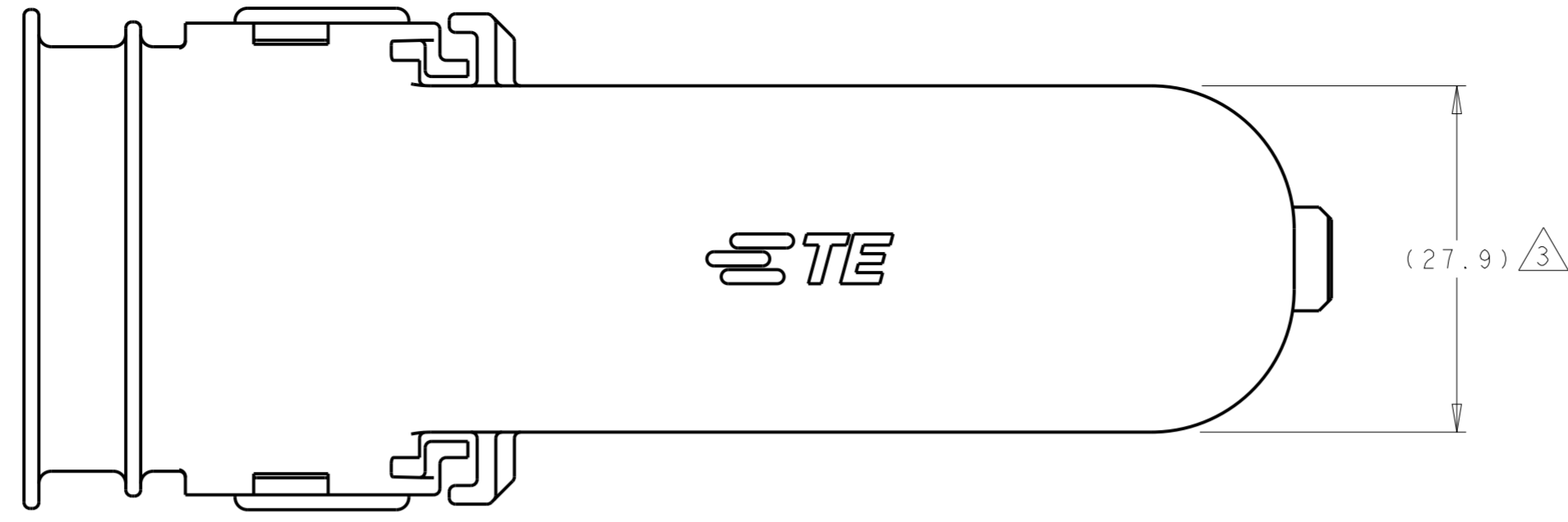
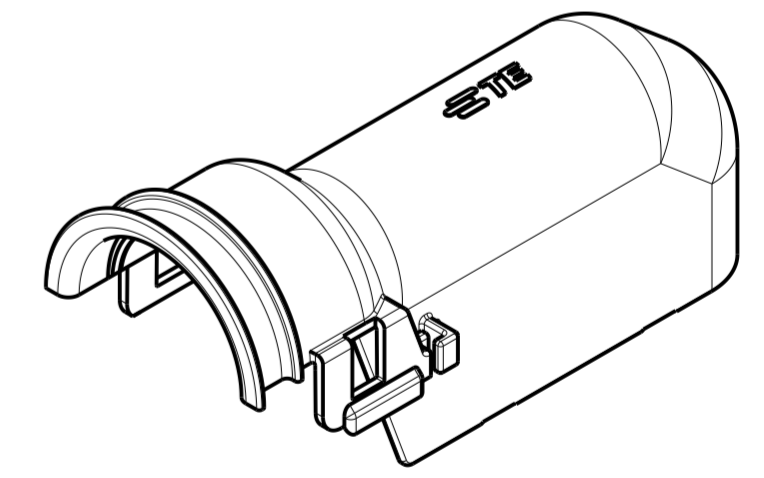
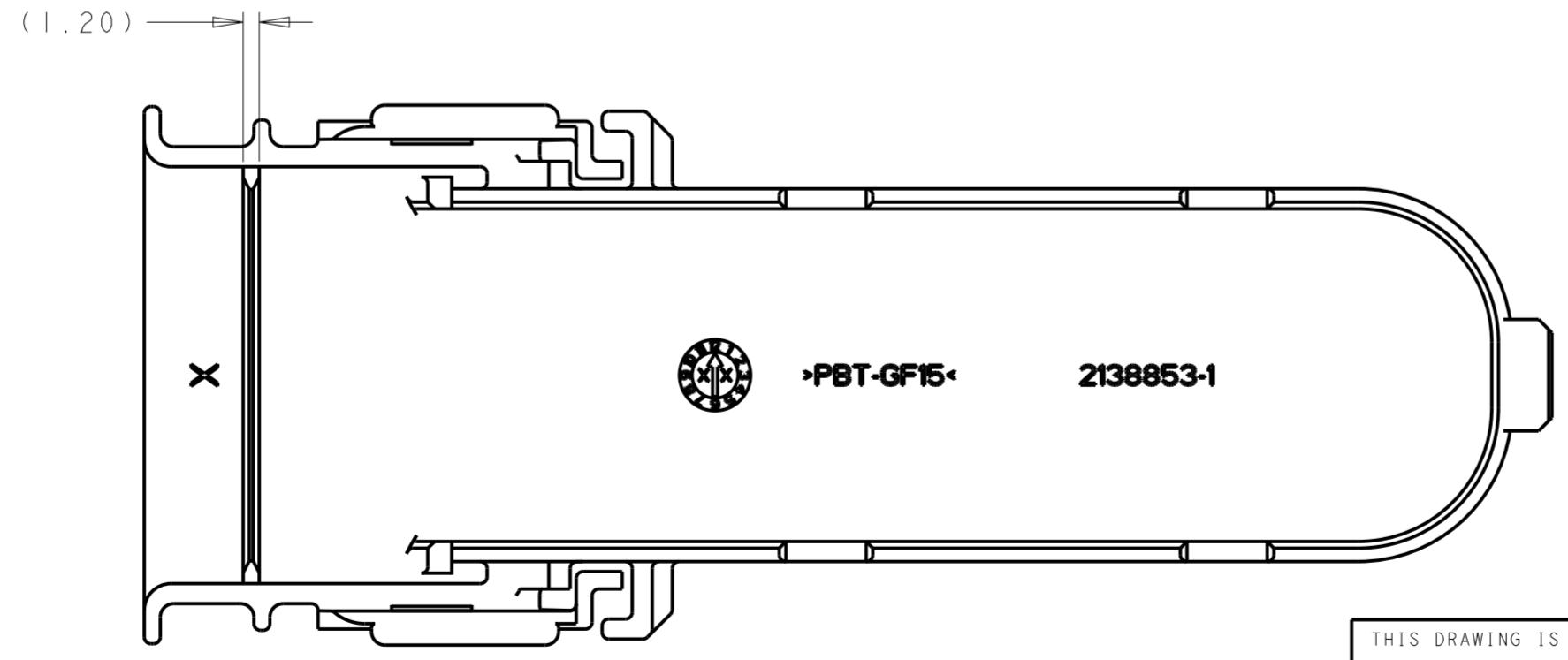
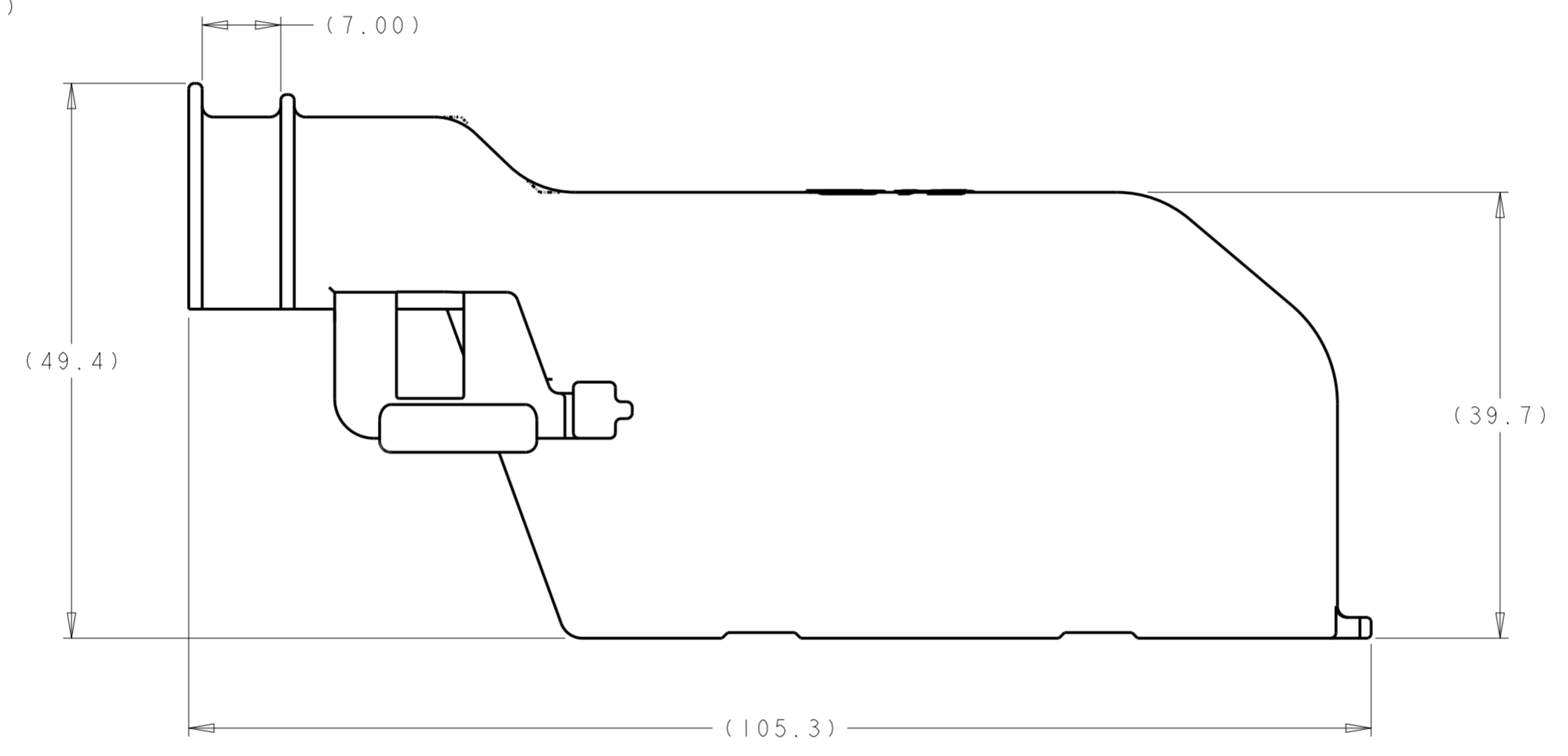
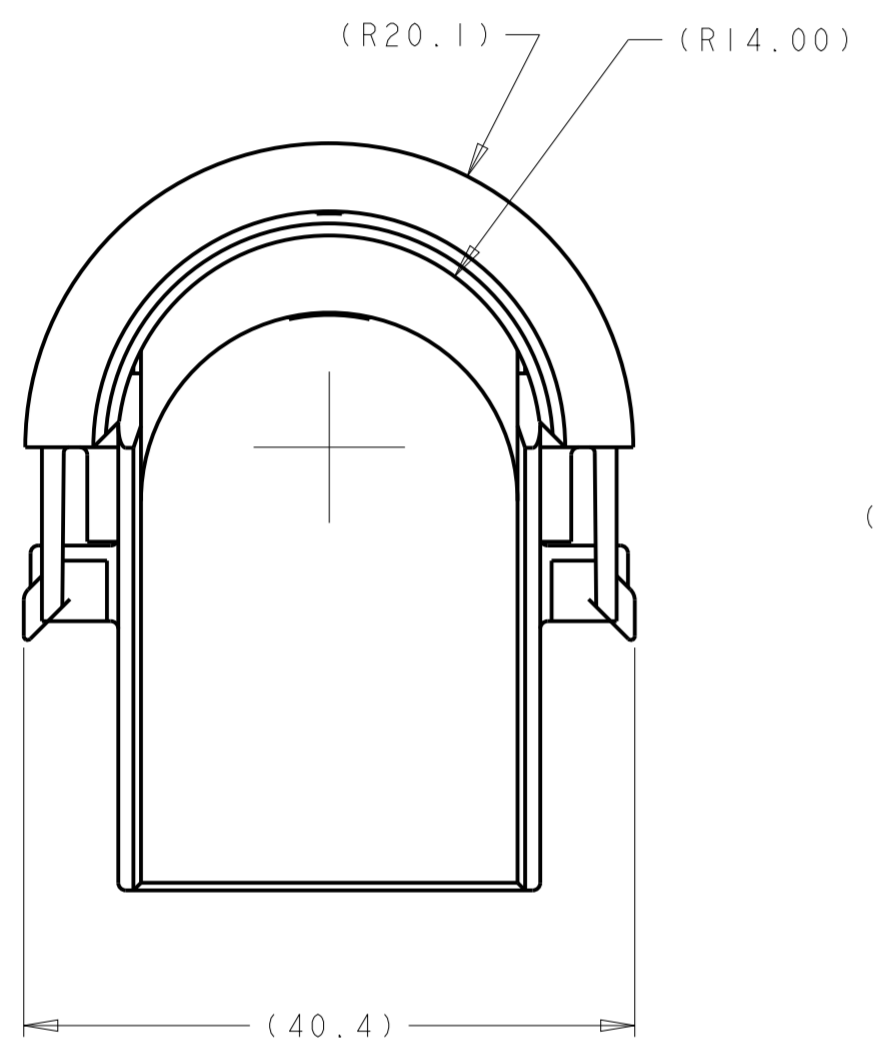


THIS DRAWING IS UNPUBLISHED. RELEASED FOR PUBLICATION 20  
© COPYRIGHT 20 BY - ALL RIGHTS RESERVED.

REVISIONS				
P	LTR	DESCRIPTION	DATE	APVD
A		RELEASED PER ECO-13-012867	12AUG2013	RGV RN
AI		REVISED PER ECO-14-012832	21AUG2014	DD RN



- 1 MATERIAL: PBT-GF15  
COLOR: BLACK
- 2. DESIGNED FOR CORRUGATED TUBE NW26.
- 3 2.25 mm BOW ALLOWED ON INDICATED WALLS.
- 4. FOR USE WITH TE P/N'S 2138839-X AND 2138846-X.



SCALE 1:1

2138853-1  
PART NUMBER

THIS DRAWING IS A CONTROLLED DOCUMENT.		DWN R. VESTAL 10 JAN 2012	 TE Connectivity			
DIMENSIONS:		CHK R. NARANG 30 JAN 2012			NAME	
TOLERANCES UNLESS OTHERWISE SPECIFIED:		APVD D. KLEIN 30 JAN 2012			WIRE EXIT COVER, AMPSEAL 16 HYBRID LEVER	
mm		PRODUCT SPEC				
0 PLC ±		108-32036	SIZE	CAGE CODE	DRAWING NO	RESTRICTED TO
1 PLC ±		APPLICATION SPEC	A2	0779	C-2138853	
2 PLC ±		114-32117	SCALE	2:1	SHEET	OF
3 PLC ±		WEIGHT				REV
4 PLC ±		CUSTOMER DRAWING				A1
ANGLES ±1°						
FINISH						