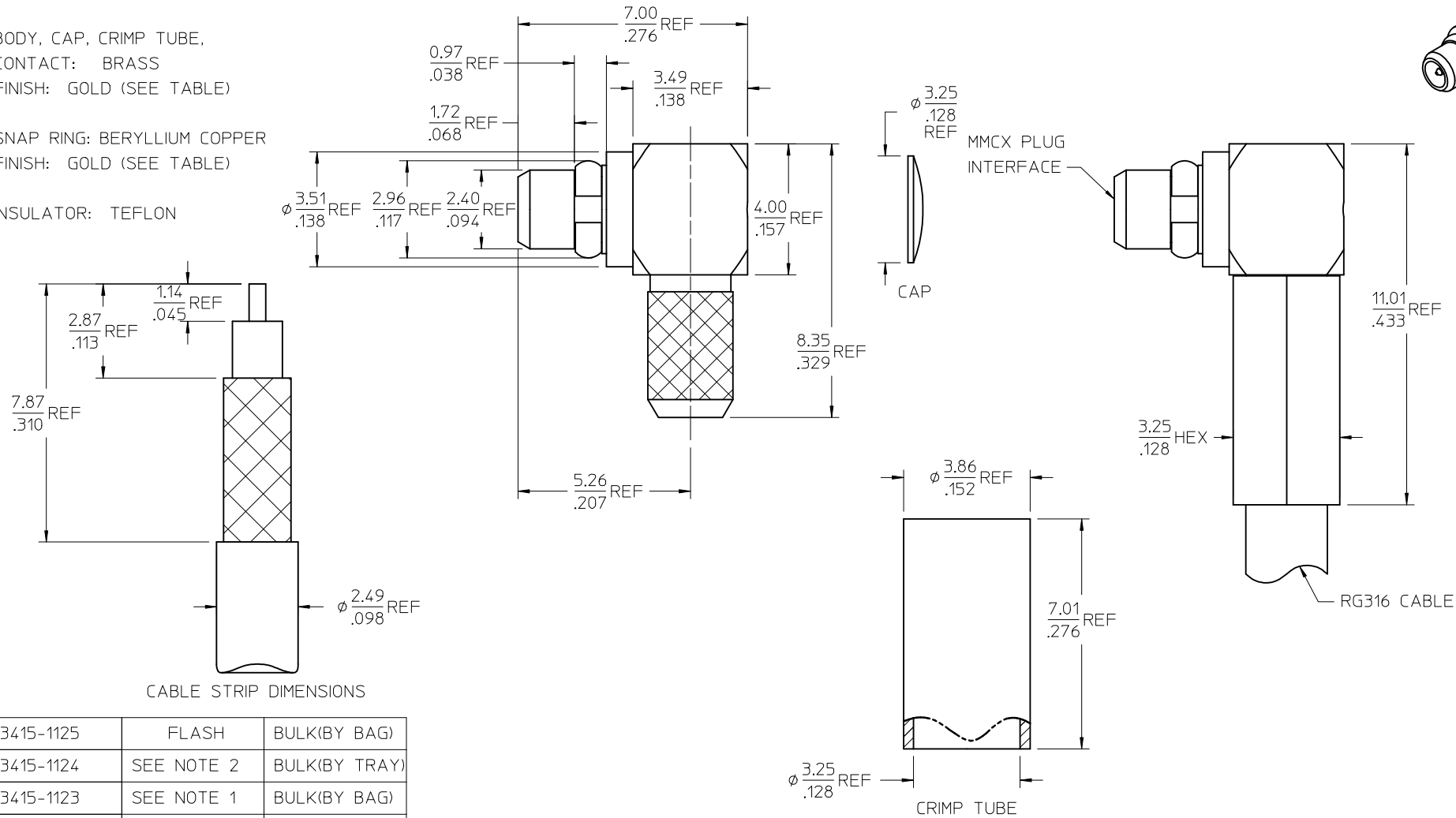
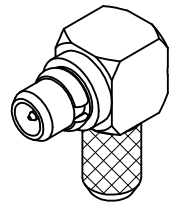


MATERIALS AND FINISHES:

BODY, CAP, CRIMP TUBE,  
CONTACT: BRASS  
FINISH: GOLD (SEE TABLE)

SNAP RING: BERYLLIUM COPPER  
FINISH: GOLD (SEE TABLE)

INSULATOR: TEFLON



CABLE STRIP DIMENSIONS

73415-1125	FLASH	BULK(BY BAG)
73415-1124	SEE NOTE 2	BULK(BY TRAY)
73415-1123	SEE NOTE 1	BULK(BY BAG)
73415-1122	COMMERCIAL	ONE PER BAG
73415-1121	COMMERCIAL	BULK(BY BAG)
73415-1120	MILITARY	BULK(BY BAG)
PART NO.	PLATING	PACKAGING

- PLATING NOTES:  
1. 10u" FOR BODY/CAP/TUBE; 30u" FOR CONTACT/RING  
2. 30u" FOR CONTACT; ALL OTHER ITEMS FLASH

CECC 22 340	INTERFACE
PS-89675-1920	ELECTRO/MECH PERFORM.
SPECIFICATION	DESCRIPTION

CHGRF15-E304  
ADDED DIMENSION  
EC NO: URF2016-0143  
DRWN:LLM14 2015/08/25  
CHKD:  
APPR:YCHENG 2015/12/28

QUALITY SYMBOLS  
▽=0  
▽=0

DESCRIPTION  
REV

GENERAL TOLERANCES (UNLESS SPECIFIED)

	mm	INCH
4 PLACES	± .010	± .0004
3 PLACES	± .005	± .0002
2 PLACES	± .003	± .0001
1 PLACE	± .002	± .00008

ANGULAR ± 2 °

DRAFT WHERE APPLICABLE  
MUST REMAIN  
WITHIN DIMENSIONS

DIMENSION STYLE  
MM/IN

DRAWN BY DATE  
TEF 2000/01/13

CHECKED BY DATE  
TEF 2000/01/13

APPROVED BY DATE  
GMH 2000/01/13

MATERIAL NO.  
SEE TABLE

SIZE  
C

SCALE  
DESIGN UNITS  
METRIC

THIRD ANGLE PROJECTION

TITLE  
MMCX PLUG, R/A RG316  
50 OHMS  
MMCX-PC

MOLEX INCORPORATED

DOCUMENT NO.  
SD-73415-112

SHEET NO.  
1 OF 1

THIS DRAWING CONTAINS INFORMATION THAT IS PROPRIETARY TO MOLEX INCORPORATED AND SHOULD NOT BE USED WITHOUT WRITTEN PERMISSION