

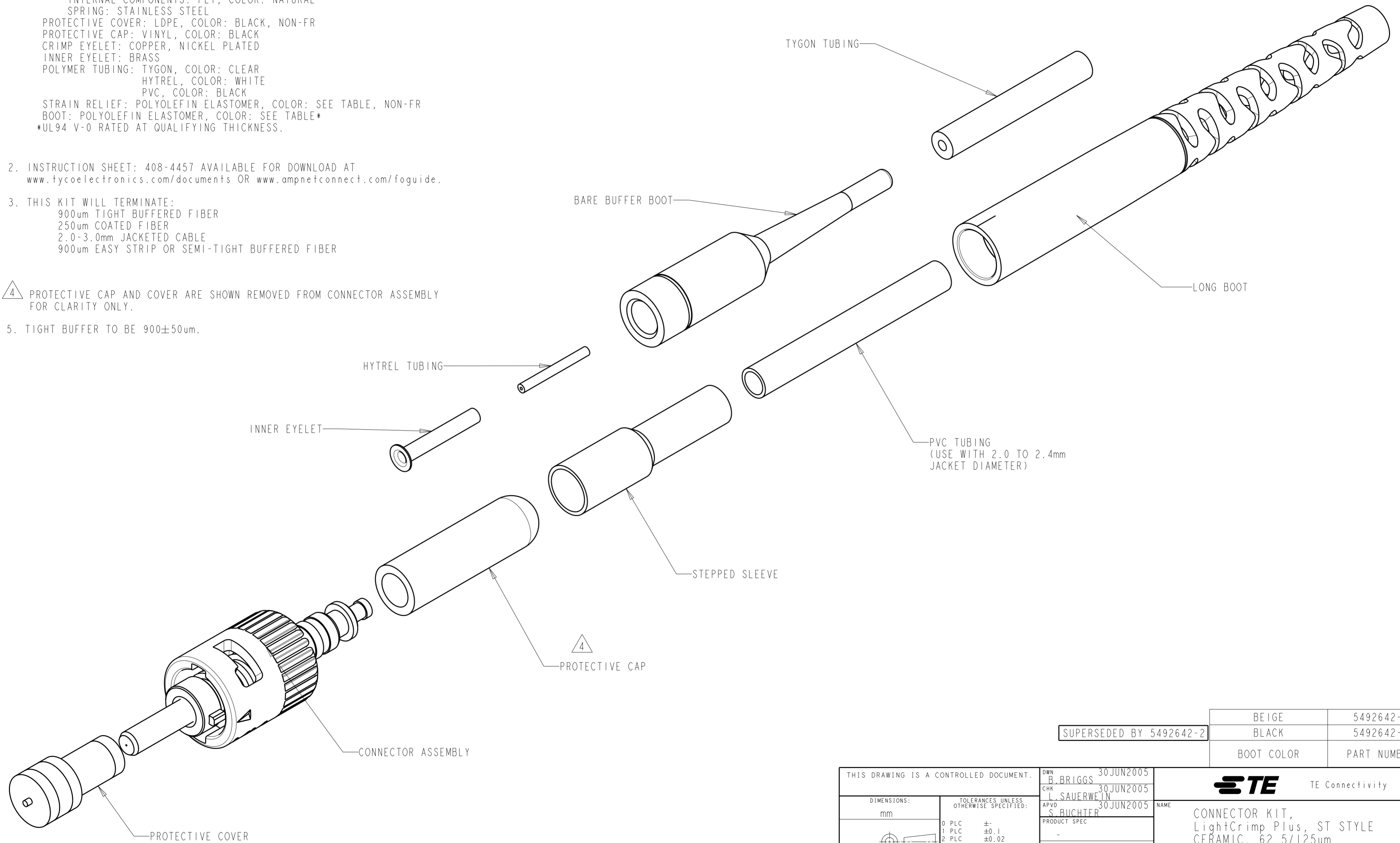
THIS DRAWING IS UNPUBLISHED. RELEASED FOR PUBLICATION 20
 © COPYRIGHT 20 ALL RIGHTS RESERVED.

LOC	DIST	REVISIONS					
CE	00	P	LTR	DESCRIPTION	DATE	DWN	APVD
			D2	REVISED PER ECO-13-003766	04MAR2013	JM	TE

- 1 MATERIAL:
 CONNECTOR ASSY
 REAR BODY: ALUMINUM ALLOY
 PLUNGER: ALUMINUM ALLOY
 FERRULE: CERAMIC
 COUPLING NUT: ZINC, NICKEL PLATED
 INTERNAL COMPONENTS: PEI, COLOR: NATURAL
 SPRING: STAINLESS STEEL
 PROTECTIVE COVER: LDPE, COLOR: BLACK, NON-FR
 PROTECTIVE CAP: VINYL, COLOR: BLACK
 CRIMP EYELET: COPPER, NICKEL PLATED
 INNER EYELET: BRASS
 POLYMER TUBING: TYGON, COLOR: CLEAR
 HYTREL, COLOR: WHITE
 PVC, COLOR: BLACK
 STRAIN RELIEF: POLYOLEFIN ELASTOMER, COLOR: SEE TABLE, NON-FR
 BOOT: POLYOLEFIN ELASTOMER, COLOR: SEE TABLE*
 *UL94 V-0 RATED AT QUALIFYING THICKNESS.

2. INSTRUCTION SHEET: 408-4457 AVAILABLE FOR DOWNLOAD AT
www.tycoelectronics.com/documents OR www.ampnetconnect.com/foguide.
3. THIS KIT WILL TERMINATE:
 900um TIGHT BUFFERED FIBER
 250um COATED FIBER
 2.0-3.0mm JACKETED CABLE
 900um EASY STRIP OR SEMI-TIGHT BUFFERED FIBER

- 4 PROTECTIVE CAP AND COVER ARE SHOWN REMOVED FROM CONNECTOR ASSEMBLY FOR CLARITY ONLY.
5. TIGHT BUFFER TO BE 900±50um.



SUPERSEDED BY 5492642-2	BEIGE	5492642-2
	BLACK	5492642-1
	BOOT COLOR	PART NUMBER

THIS DRAWING IS A CONTROLLED DOCUMENT.

DWN	B. BRIGGS	30 JUN 2005	TE Connectivity NAME CONNECTOR KIT, LightCrimp Plus, ST STYLE CERAMIC, 62.5/125um			
CHK	L. SAUERWEIN	30 JUN 2005				
APVD	S. BUCHTER	30 JUN 2005				
PRODUCT SPEC						
MATERIAL			SIZE	CAGE CODE	DRAWING NO	RESTRICTED TO
			A2	00779	G-5492642	
CUSTOMER DRAWING			SCALE	4:1	SHEET	1 OF 1
						REV D2