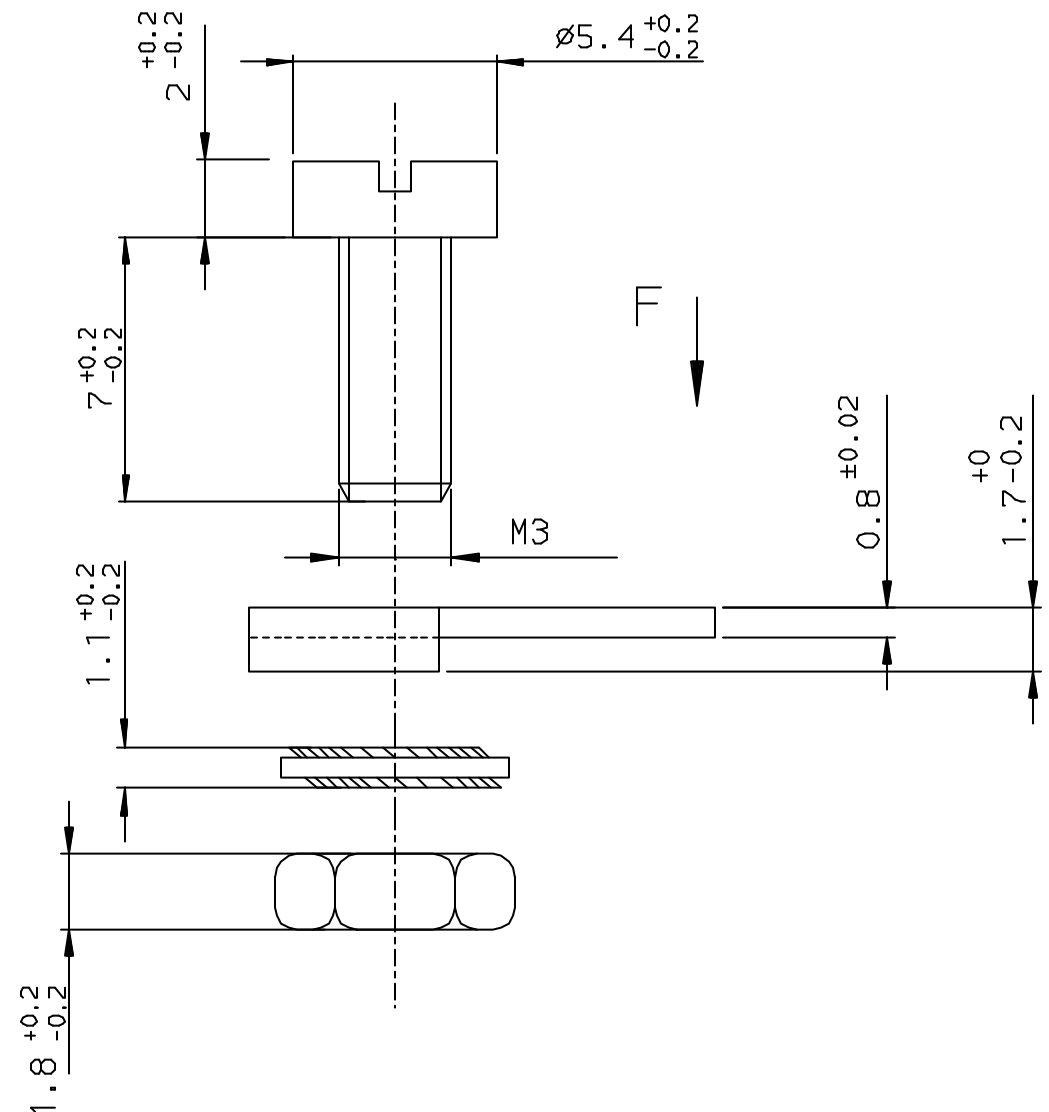


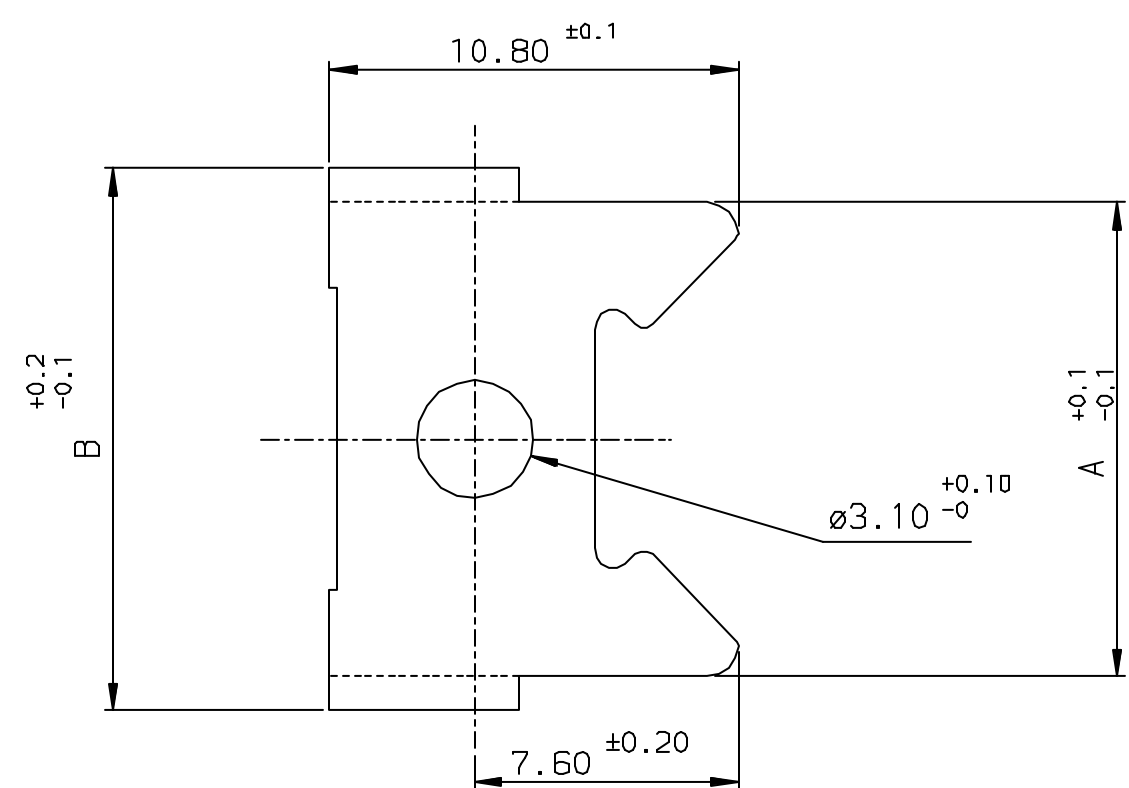
Tous droits strictement réservés. Reproduction ou communication a des tiers interdite sous quelque forme que ce soit sans autorisation écrite du propriétaire. Propriété de c FCI. Droits de reproduction FCI.



All rights strictly reserved. Reproduction or issue to third parties in any form whatever is not permitted without written authority from the proprietor. Property of FCI. Copyright FCI.



view F



PART NUMBER	PACKAGING	A	B
86303425LF	per 100 pieces	12.50	14.30
863034252LF	per 2 pieces	12.50	14.30
86303426LF	per 100 pieces	15.30	17.10
863034262LF	per 2 pieces	15.30	17.10

**NOTE1:RoHS INFORMATIONS**

- The "LF" product meets European union Directives and other country regulations as described in GS-22-008.
- The product is not intended to be exposed to a manufacturing solder process.
- Plating: Zinc Cr3+, white color.
- Packaging spec: see GS-14-920.

		www.fciconnect.com		tolerance	projection	mm
		ISO 1302		ISO 406		↔
				ISO 1101	size	Scale
Dr	GOISNARD	12/01/06	Product family	D-SUB 571	A3	5
Eng	PESSON	12/01/06	Spec ref	-		
Chr	LEGARE	12/01/06	Material	SEE NOTES	ECN	LS05-0123
Appr	LEGARE	12/01/06				
title				dwg no		Rev.
LEVER LOCKS FEMELLE				C01-8655-1644		A
(SHELL SIZE 09 15 25 37 50 )						
catalog no				CUSTOMER COPY		sheet 1 of 1

Ltr	ecn no	dr	date
A	LS05-0123	LGO	12/01/06
-	-	-	-
-	-	-	-
-	-	-	-
-	-	-	-
-	-	-	-