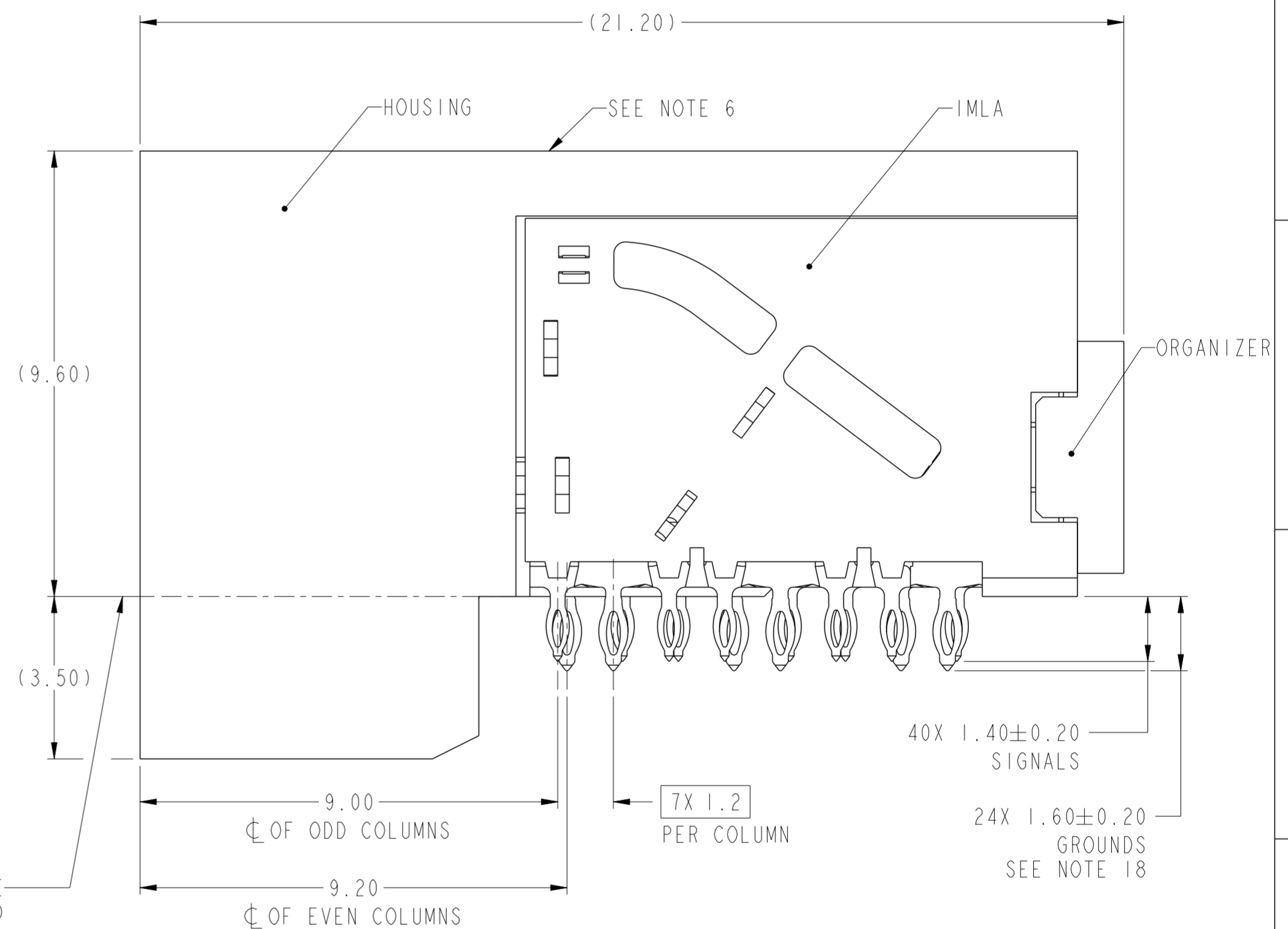
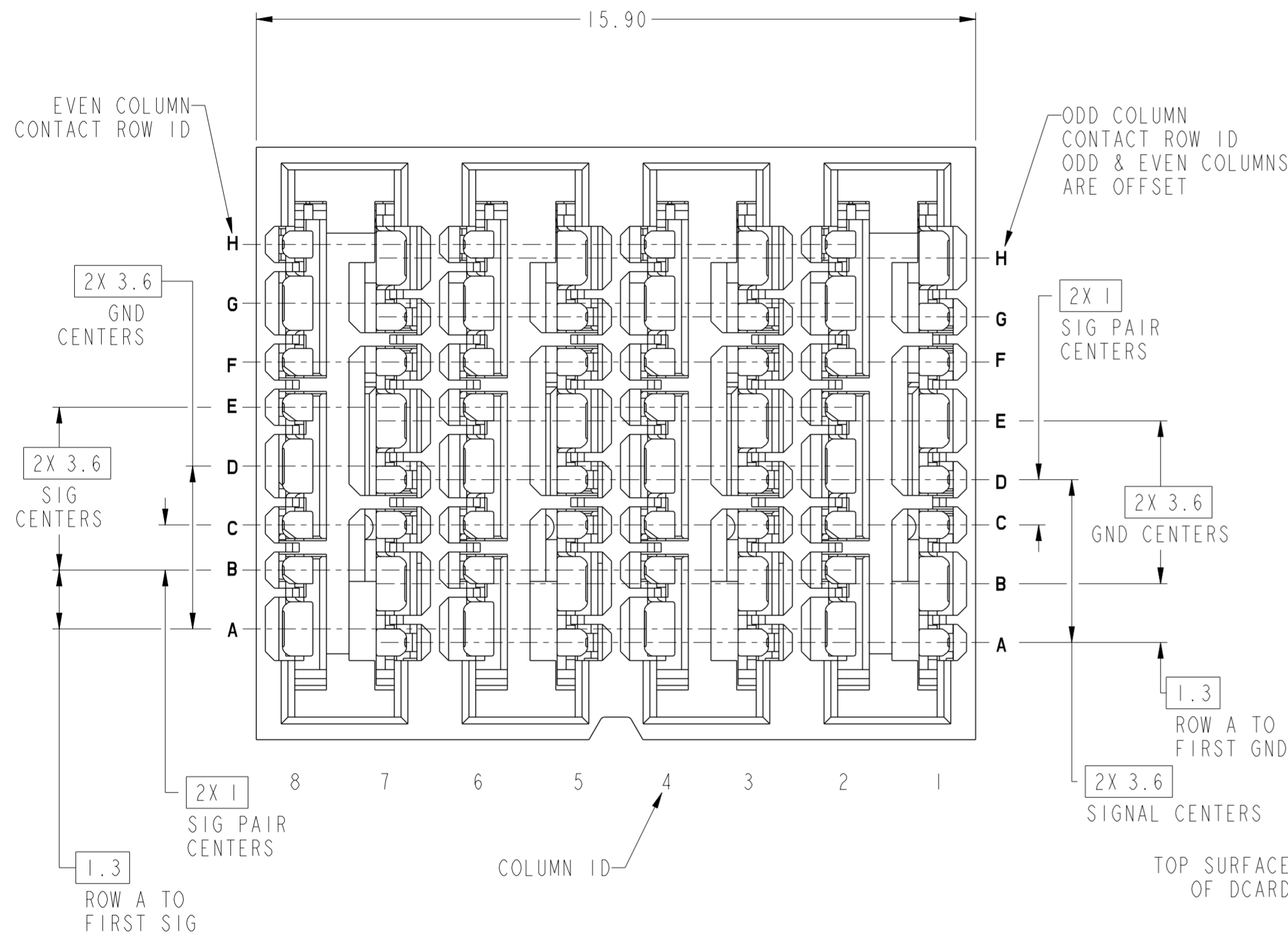


PRODUCT NUMBER
SEE TABLE



**10124411-101LF
STANDARD MATE RECEPTACLE**

spec ref	---	dr	Mark Gray	2013/02/20	projection	MM	size	A2	scale	10:1
tolerance std	ASME Y14.5M	eng	Terry Luo	2017/01/20			ecn no	-	rel level	Released
TOLERANCES UNLESS OTHERWISE SPECIFIED		chr	Heaven Cen	2017/01/20						
		appr	Pai-Ming Zheng	2017/01/20						
surface	linear	0.X	±.3		product family		ExaMAX	title ExaMAX R.A. RECEPTACLE ASS'Y, 2 PR, 64 POS, 8 IMLA, 16.0 MM cat. no. SEE TABLE	dwg no 10124411	rev A
		0.XX	±.10		Product - Customer Drw		sheet 1 of 10			
	angular	0°	±°							

PDS: Rev :A

STATUS:Released

Printed: Jan 20, 2017

1 2 3 4 5 6 7 8

A

B

C

D

E

F

A

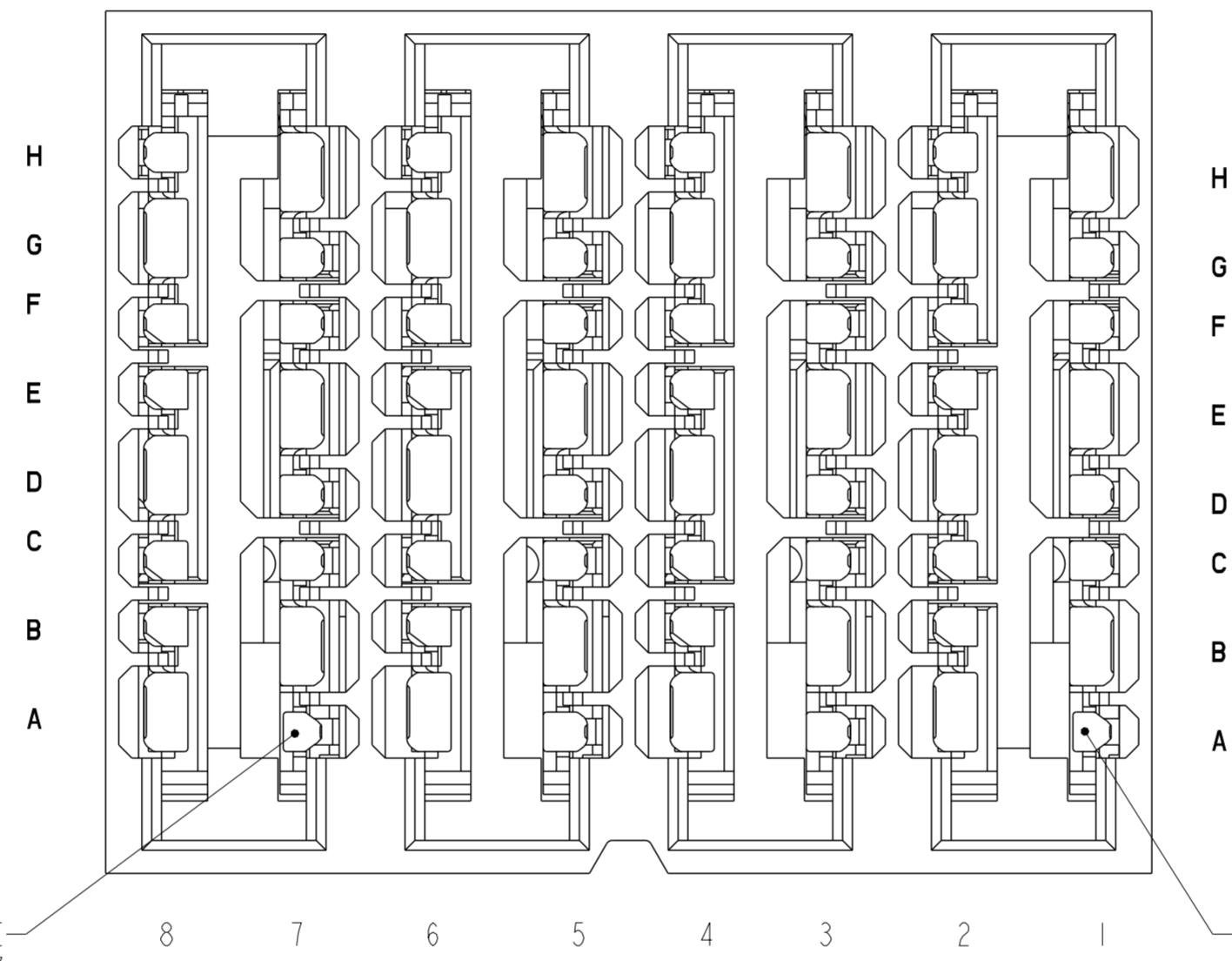
B

C

D

E

F



ADVANCED MATE POSITION A7
SEE NOTE 13

ADVANCED MATE POSITION A1
SEE NOTE 13

10124411-201LF
ADVANCED MATE RECEPTACLE
 ADVANCED MATE POSITIONS ARE POSITIONS A1 AND A7 ONLY
 FOR ALL DIMENSIONS SEE 10124411-101LF ON SHEET 1

Amphenol
FCi

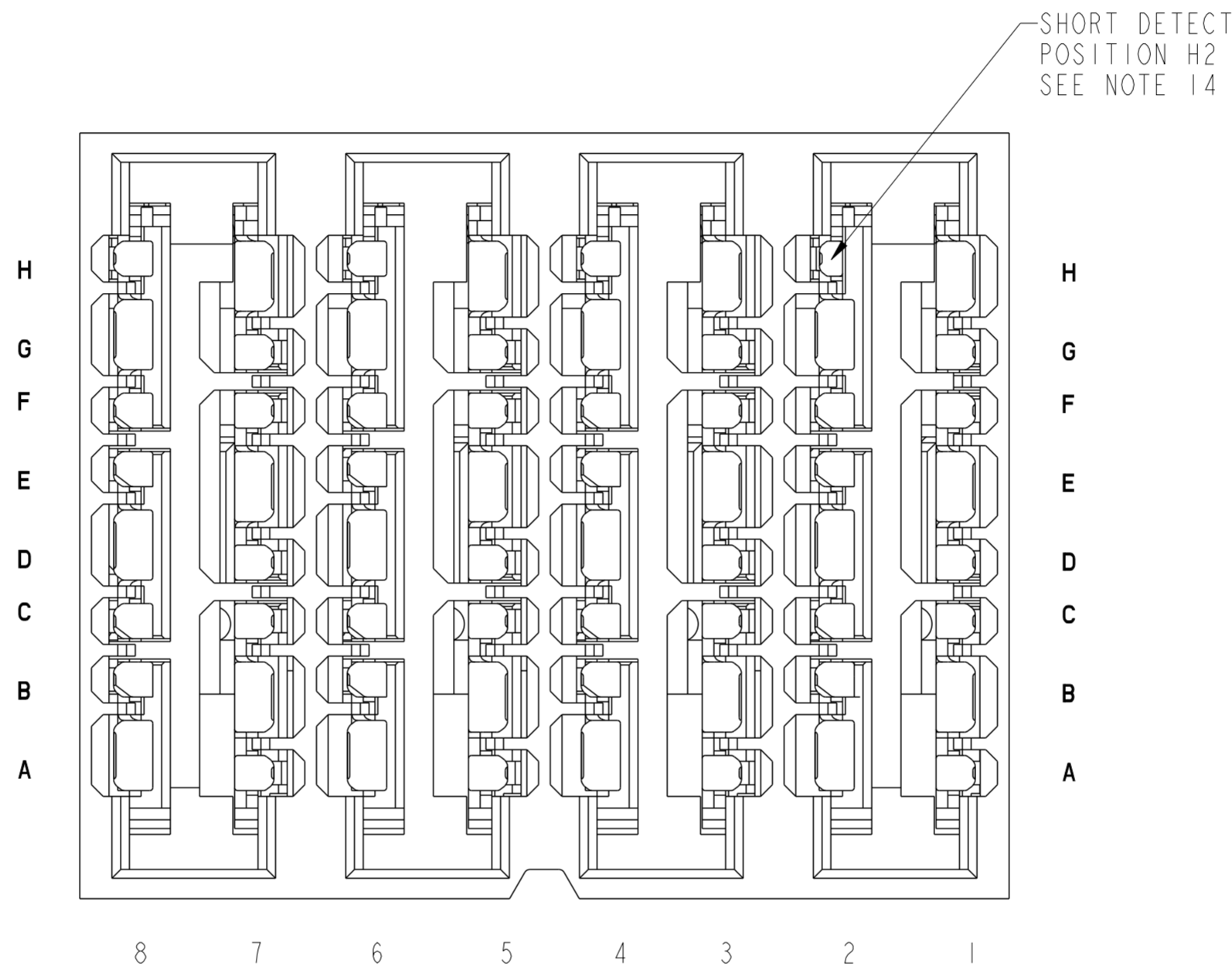
© 2016 AFci

spec ref	---	dr	Mark Gray	2013/02/20	projection	MM	size	A2	scale	10:1
tolerance std	ASME Y14.5M	eng	Terry Luo	2017/01/20			ecn no	-	rel level	Released
TOLERANCES UNLESS OTHERWISE SPECIFIED		chr	Heaven Cen	2017/01/20						
surface	-	linear	0.X	±.3		title ExaMAX R.A. RECEPTACLE ASS'Y, 2 PR, 64 POS, 8 IMLA, 16.0 MM	div no	10124411	rev	A
			0.XX	±.10						
			0.XXX	±.050						
		angular	0°	±°	cat. no.	SEE TABLE	Product - Customer Drw	sheet 2 of 10		

PDS: Rev :A

STATUS:Released

Printed: Jan 20, 2017

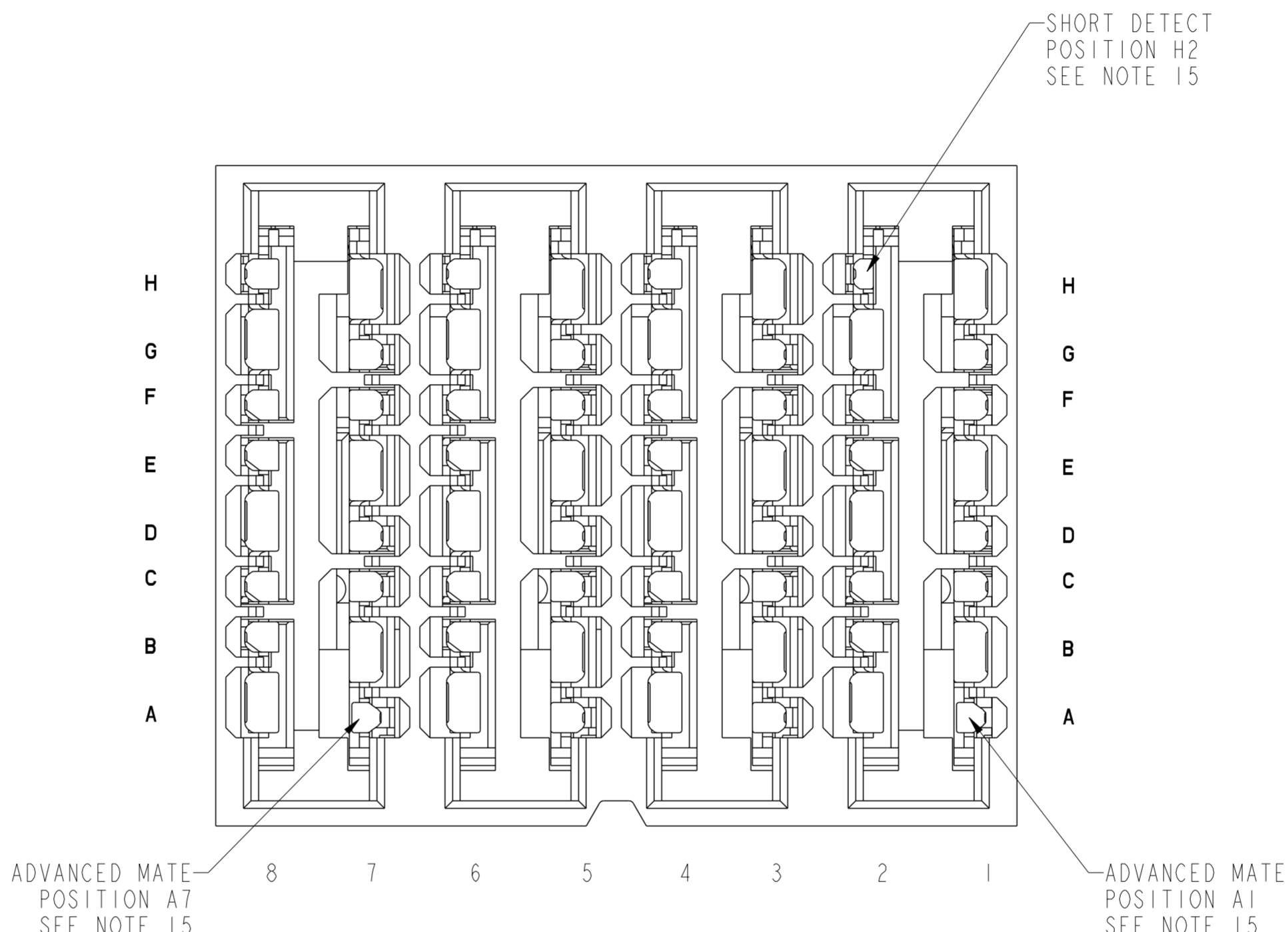


10124411-301LF
SHORT DETECT RECEPTACLE
SHORT DETECT POSITION IS H2
FOR ALL DIMENSIONS SEE 10124411-101LF ON SHEET 1

spec ref	---	dr	Mark Gray	2013/02/20	projection	MM	size	A2	scale	1:1		
tolerance std	ASME Y14.5M	eng	Terry Luo	2017/01/20			ecn no	-	rel level	Released		
TOLERANCES UNLESS OTHERWISE SPECIFIED		chr	Heaven Cen	2017/01/20								
surface	-	appr	Pai-Ming Zheng	2017/01/20	product family	ExaMAX	divg no	10124411	rev	A		
	linear	0.X	±.3		title		ExaMAX R.A. RECEPTACLE		cat. no.	SEE TABLE	Product - Customer Drw	sheet 3 of 10
		0.XX	±.10		title		ASS'Y, 2 PR, 64 POS, 8 IMLA, 16.0 MM					
		0.XXX	±.050		title							
	angular	0°	±°	cat. no.		SEE TABLE		Product - Customer Drw		sheet 3 of 10		

Amphenol
FCI

© 2016 APCI

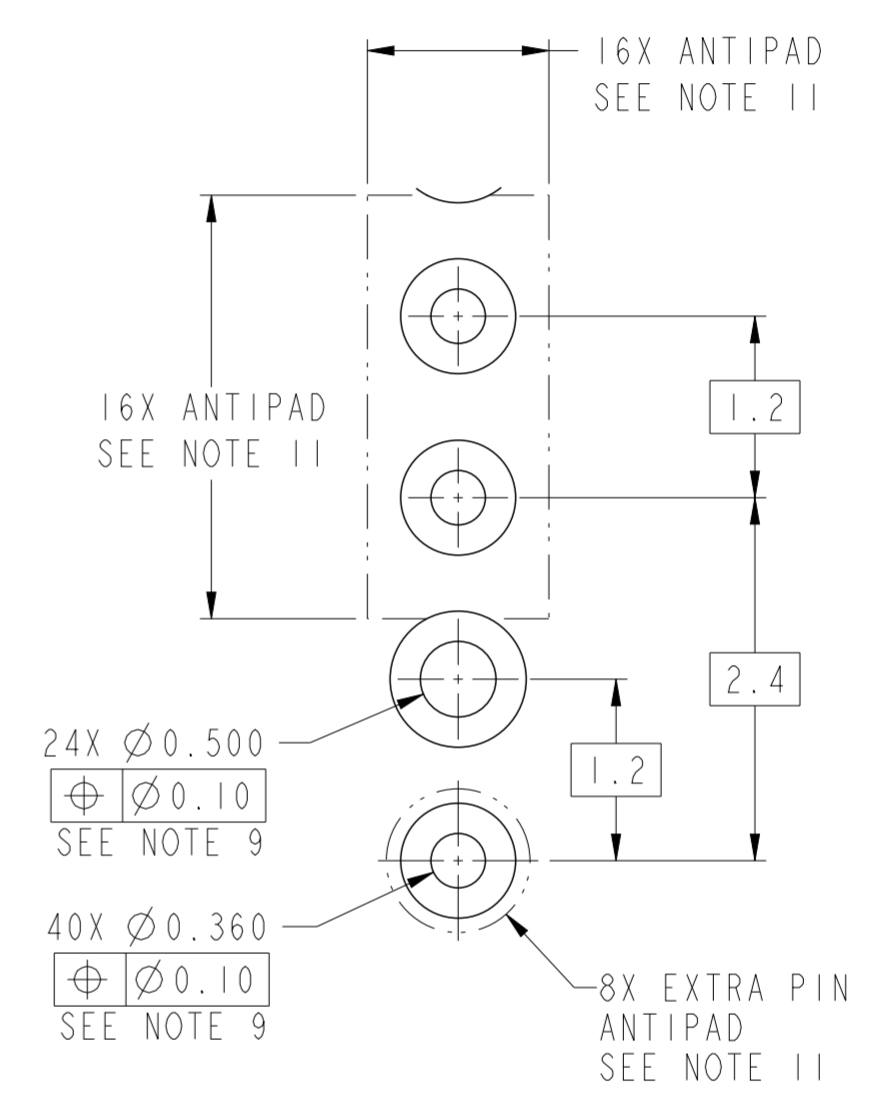
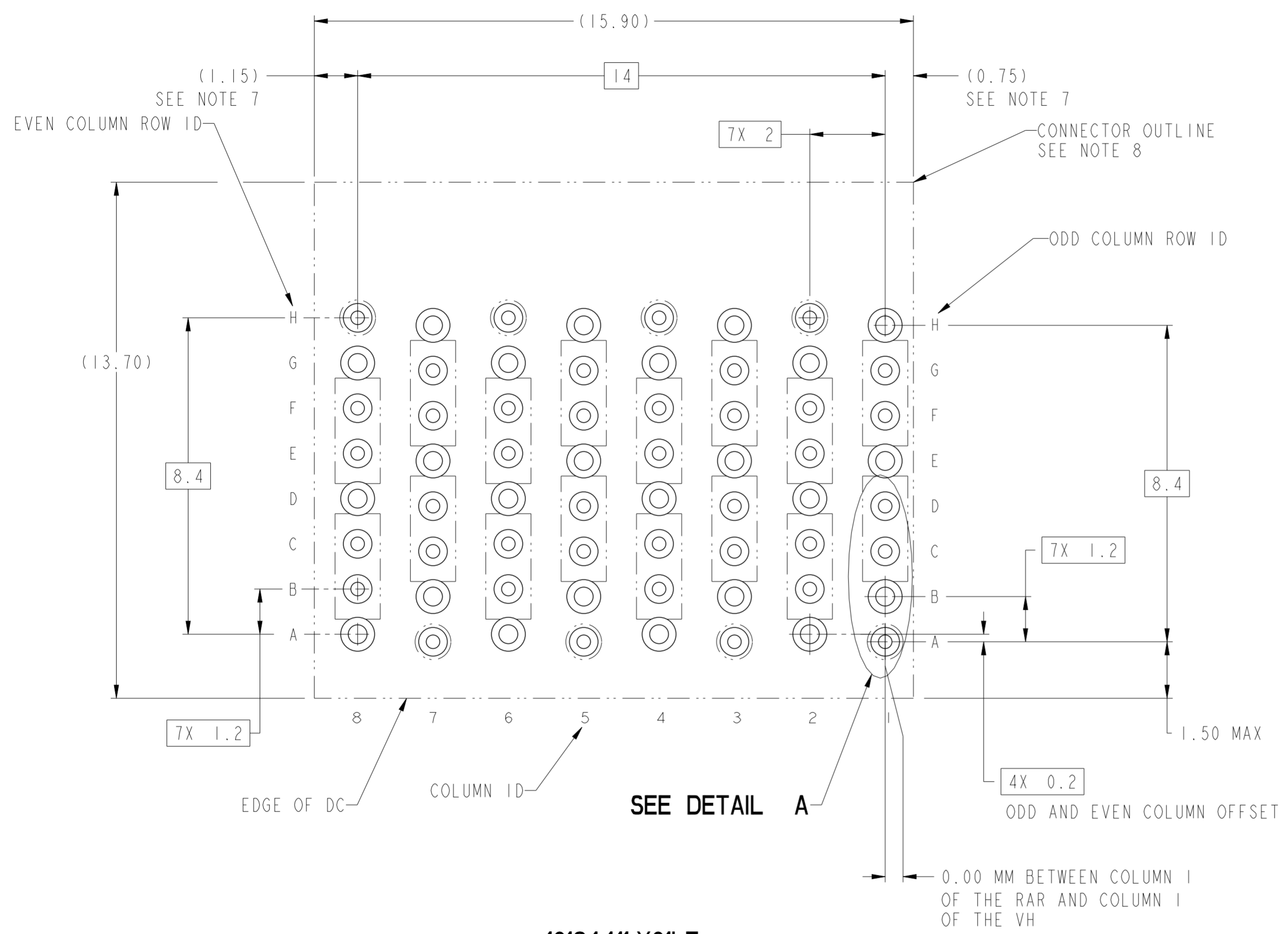


10124411-401LF
ADVANCED MATE/SHORT DETECT RECEPTACLE
ADVANCED MATE POSITIONS ARE POSITIONS A1 AND A7 ONLY
SHORT DETECT POSITION IS H2
FOR ALL DIMENSIONS SEE 10124411-101LF ON SHEET 1

**Amphenol
FCi**

© 2016 AFci

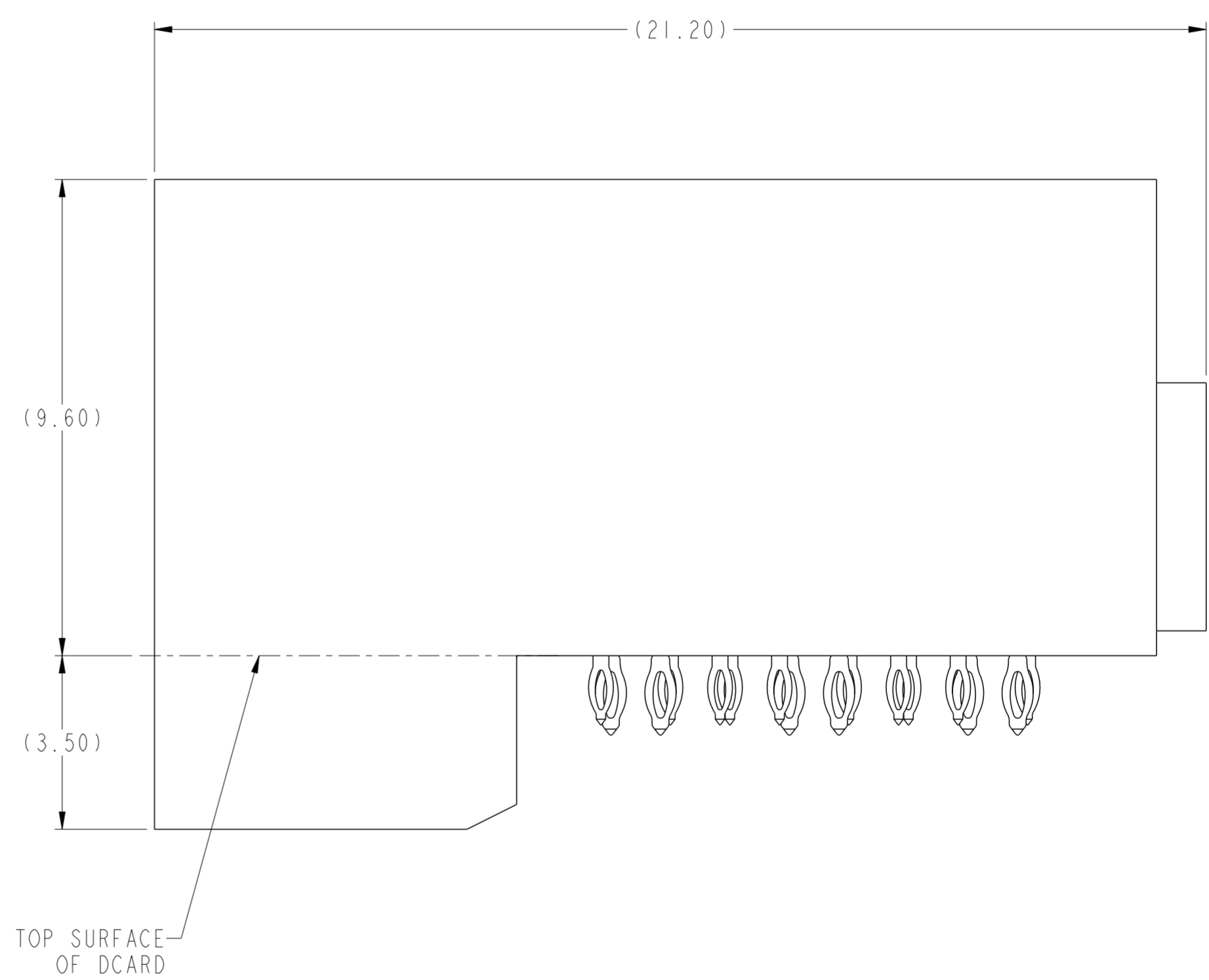
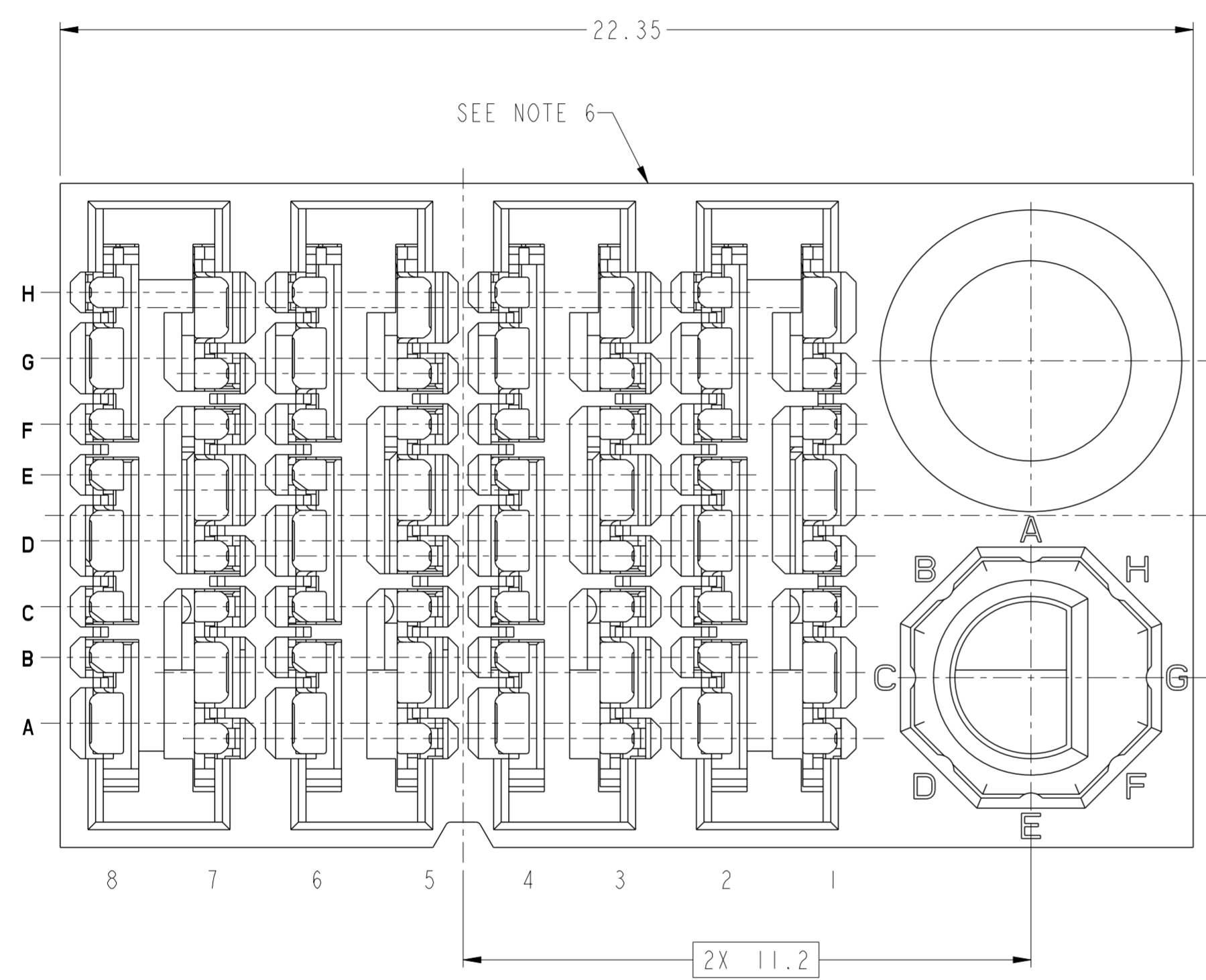
spec ref	---	dr	Mark Gray	2013/02/20	projection	MM	size	A2	scale	4:1									
tolerance std	ASME Y14.5M	eng	Terry Luo	2017/01/20			ecn no	-	rel level	Released									
TOLERANCES UNLESS OTHERWISE SPECIFIED		chr	Heaven Cen	2017/01/20															
surface	-	appr	Pai-Ming Zheng	2017/01/20	product family	ExaMAX	div no	10124411	rev	A									
	<table border="1"> <tr> <td>linear</td> <td>0.X</td> <td>±.3</td> </tr> <tr> <td></td> <td>0.XX</td> <td>±.10</td> </tr> <tr> <td></td> <td>0.XXX</td> <td>±.050</td> </tr> <tr> <td>angular</td> <td>0°</td> <td>±°</td> </tr> </table>	linear	0.X	±.3		0.XX	±.10		0.XXX	±.050	angular	0°	±°		title ExaMAX R.A. RECEPTACLE ASS'Y, 2 PR, 64 POS, 8 IMLA, 16.0 MM	cat. no.	SEE TABLE	Product - Customer Drw	sheet 4 of 10
linear	0.X	±.3																	
	0.XX	±.10																	
	0.XXX	±.050																	
angular	0°	±°																	



DETAIL A
SCALE 20:1

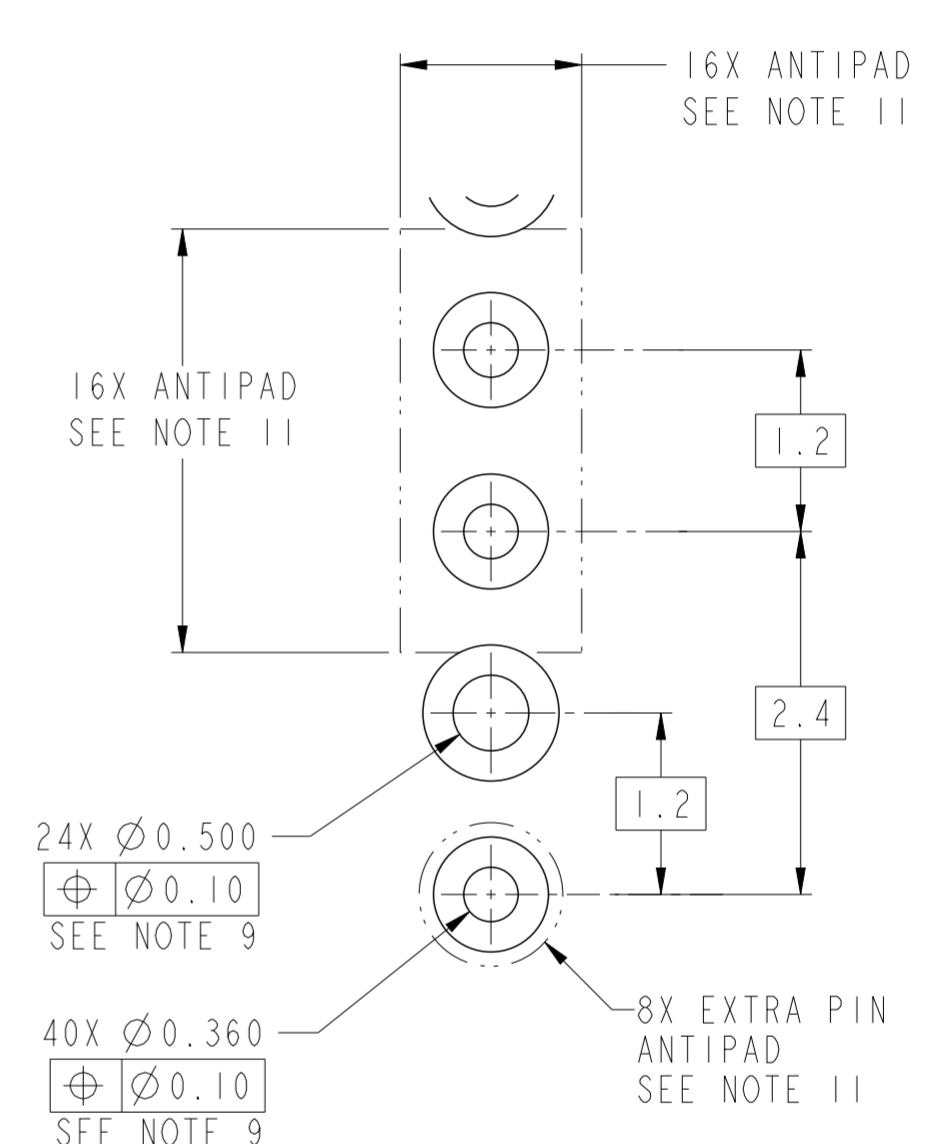
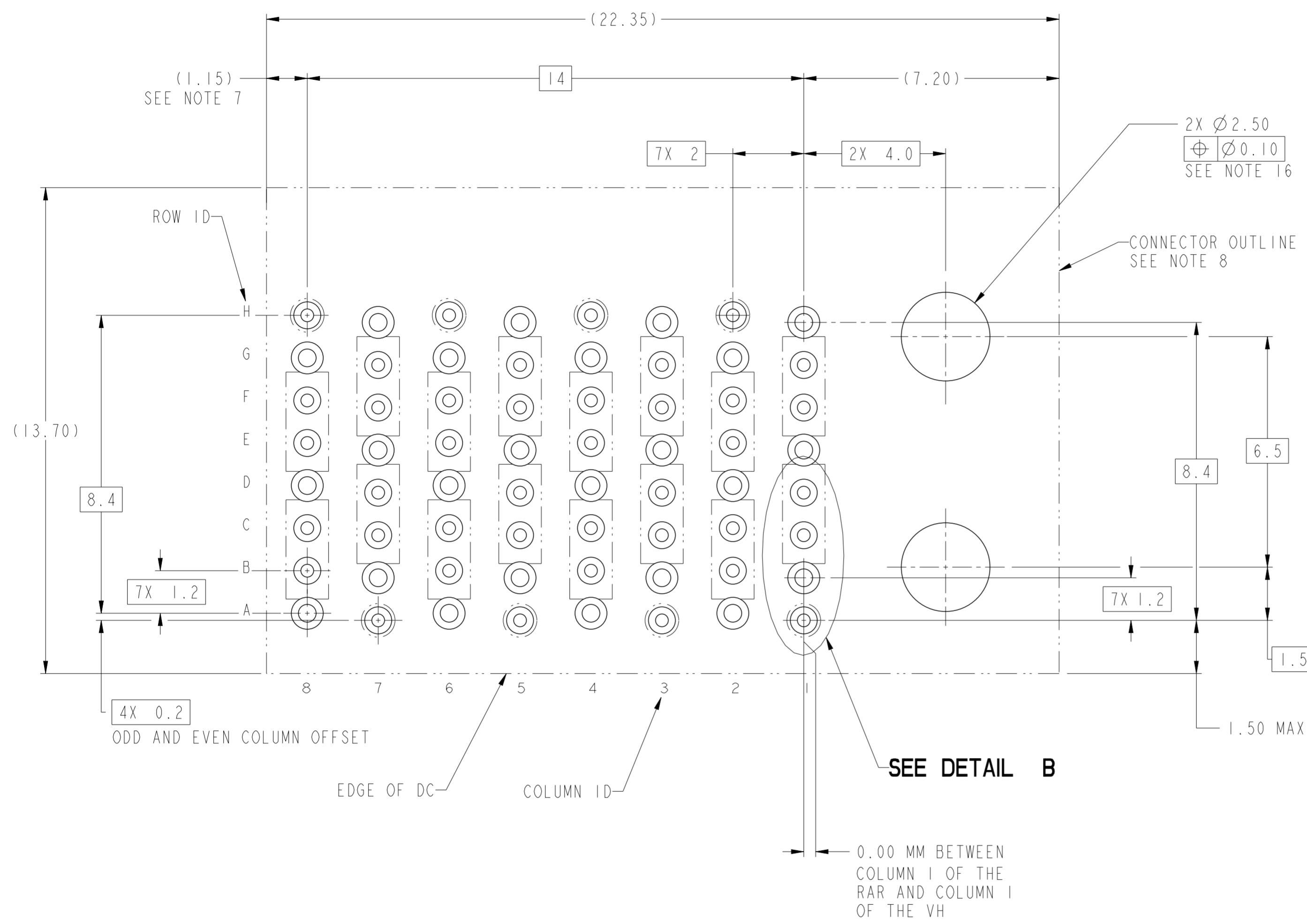
10124411-X01LF
RECOMMENDED PCB LAYOUT
COMPONENT SIDE
NOTES 7, 8, 9, & 11
SCALE 10:1

spec ref	---	dr	Mark Gray	2013/02/20	projection	MM	size	A2	scale	4:1	
tolerance std	ASME Y14.5M	eng	Terry Luo	2017/01/20			ecn no	-	rel level	Released	
TOLERANCES UNLESS OTHERWISE SPECIFIED		chr	Heaven Cen	2017/01/20							
		appr	Pai-Ming Zheng	2017/01/20							
surface	-	linear	0.X	±.3	Amphenol FCI	title ExaMAX R.A. RECEPTACLE ASS'Y, 2 PR, 64 POS, 8 IMLA, 16.0 MM	dwg no 10124411	rev A	cat. no. SEE TABLE	Product - Customer Drw	sheet 5 of 10
			0.XX	±.10							
			0.XXX	±.050							
		angular	0°	±°							



10124411-X1ALF THRU -X1JLF
 RIGHT GUIDANCE (SEE NOTE 17)
 FOR ALL DIMENSIONS SEE 10124411-101LF ON SHEET 1
 SCALE 10:1

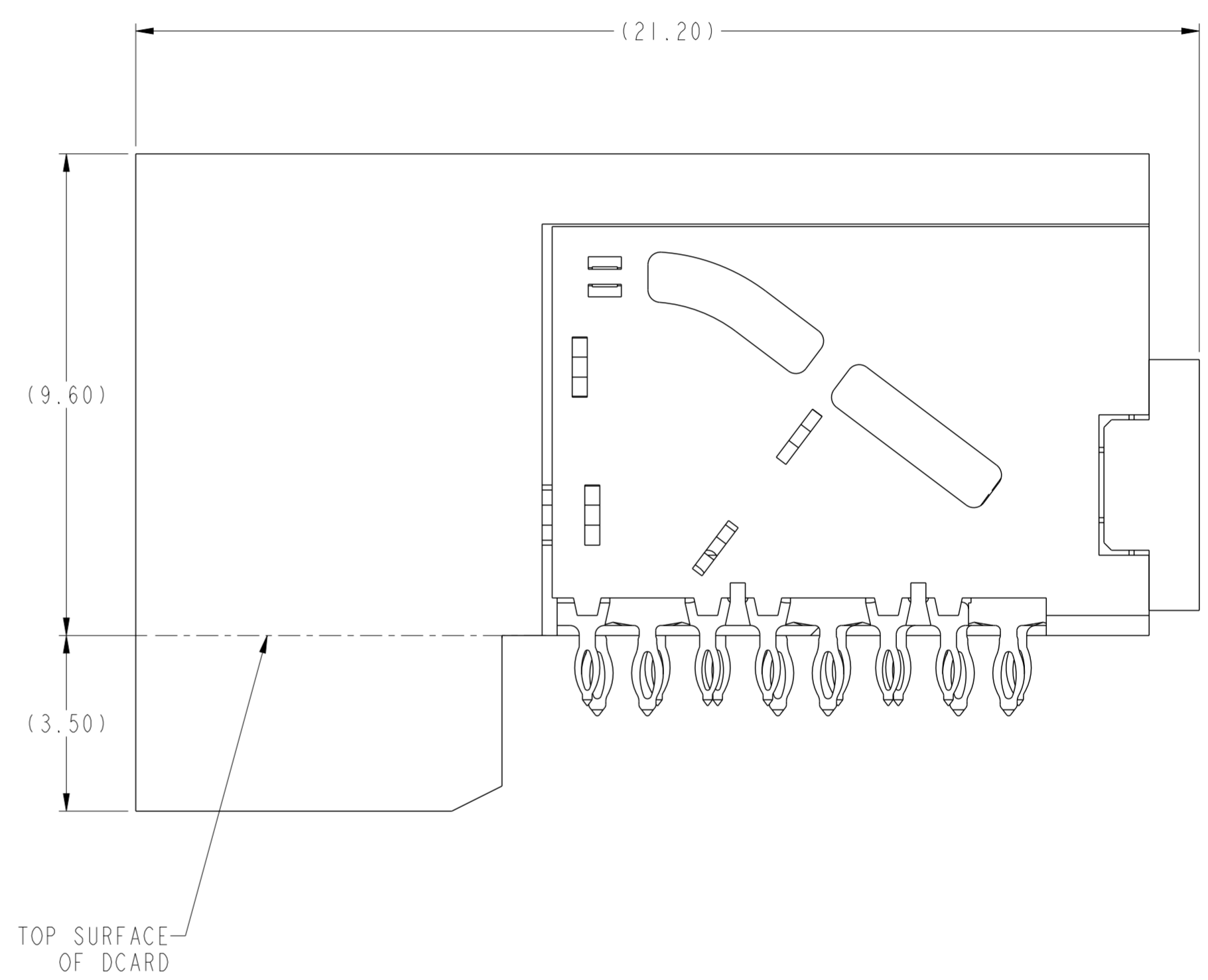
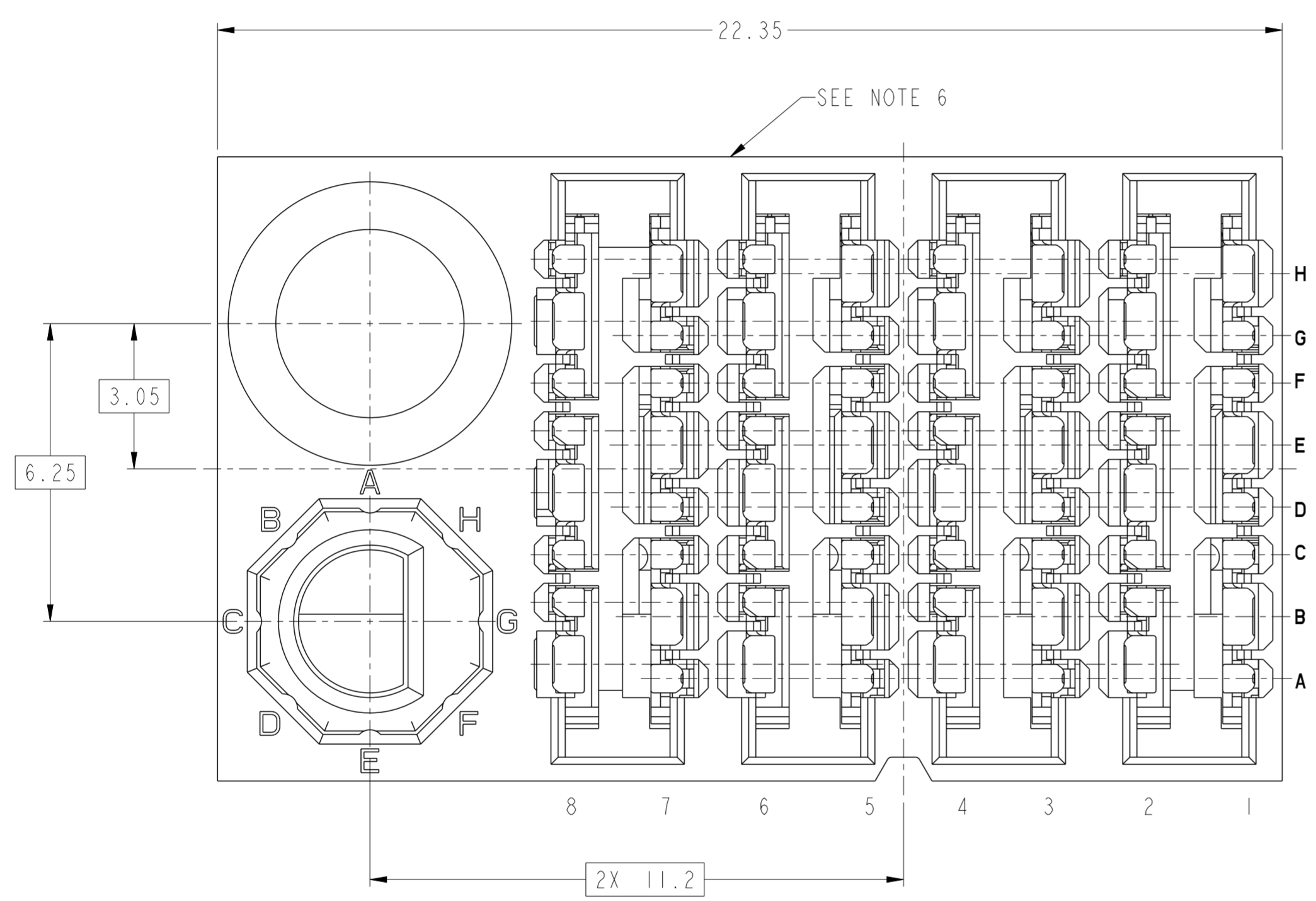
spec ref	---	dr	Mark Gray	2013/02/20	projection	MM	size	A2	scale	4:1	
tolerance std	ASME Y14.5M	eng	Terry Luo	2017/01/20			ecn no	-	rel level	Released	
TOLERANCES UNLESS OTHERWISE SPECIFIED		chr	Heaven Cen	2017/01/20							
surface	-	appr	Pai-Ming Zheng	2017/01/20	product family	ExaMAX	rel level	Released	rev	A	
	linear	0.X	±.3		title		ExaMAX R.A. RECEPTACLE	dwg no 10124411	cat. no. SEE TABLE	Product - Customer Drw	sheet 6 of 10
		0.XX	±.10		title		ASS'Y, 2 PR, 64 POS, 8 IMLA, 16.0 MM				
		0.XXX	±.050		title						
	angular	0°	±°	PDS: Rev :A		STATUS:Released		Printed: Jan 20, 2017			



DETAIL B
SCALE 20:1

**10124411-X1ALF THRU -X1JLF
RECOMMENDED PCB LAYOUT
COMPONENT SIDE
NOTES 7, 8, 9, 11 & 16
SCALE 10:1**

spec ref	---	dr	Mark Gray	2013/02/20	projection	MM	size	A2	scale	4:1
tolerance std	ASME Y14.5M	eng	Terry Luo	2017/01/20			ecn no	-	rel level	Released
TOLERANCES UNLESS OTHERWISE SPECIFIED		chr	Heaven Cen	2017/01/20						
		appr	Pai-Ming Zheng	2017/01/20						
surface	linear	0.X	±.3		product family		ExaMAX	title ExaMAX R.A. RECEPTACLE ASS'Y, 2 PR, 64 POS, 8 IMLA, 16.0 MM cat. no. SEE TABLE	dwg no 10124411	rev A
		0.XX	±.10		Product - Customer Drw		sheet 7 of 10			
	angular	0°	±°							



10124411--X2ALF THRU -X2JLF
LEFT GUIDANCE (SEE NOTE 17)
FOR ALL DIMENSIONS SEE 10124411-101LF ON SHEET 1
SCALE 10:1

spec ref	---	dr	Mark Gray	2013/02/20	projection	MM	size	A2	scale	2:1											
tolerance std	ASME Y14.5M	eng	Terry Luo	2017/01/20			ecn no	-	rel level	Released											
TOLERANCES UNLESS OTHERWISE SPECIFIED		chr	Heaven Cen	2017/01/20																	
		appr	Pai-Ming Zheng	2017/01/20																	
surface	<table border="1"> <tr> <td>linear</td> <td>0.X</td> <td>±.3</td> </tr> <tr> <td></td> <td>0.XX</td> <td>±.10</td> </tr> <tr> <td></td> <td>0.XXX</td> <td>±.050</td> </tr> <tr> <td>angular</td> <td>0°</td> <td>±°</td> </tr> </table>	linear	0.X	±.3		0.XX	±.10		0.XXX	±.050	angular	0°	±°			title ExaMAX R.A. RECEPTACLE ASS'Y, 2 PR, 64 POS, 8 IMLA, 16.0 MM		dwg no 10124411	rev A	cat. no. - Product - Customer Drw sheet 8 of 10	
linear	0.X	±.3																			
	0.XX	±.10																			
	0.XXX	±.050																			
angular	0°	±°																			

10124411 - Y Y Y L F

ASSEMBLY PART NUMBER	DESCRIPTION
10124411-1YYLF	STANDARD MATE
10124411-2YYLF	ADVANCED MATE
10124411-3YYLF	SHORT DETECT
10124411-4YYLF	ADVANCED MATE & SHORT DETECT

MODULE DESCRIPTION	DESIGNATION REPRESENTED IN DASH NUMBER										BASE MODULE
	WITHOUT END GUIDES MODULE (SEE SHEET 1)	01									
RIGHT GUIDANCE MODULE (SEE SHEET 6)	1A	1B	1C	1D	1E	1F	1G	1H	1J (NO KEY)		
LEFT GUIDANCE MODULE (SEE SHEET 8)	2A	2B	2C	2D	2E	2F	2G	2H	2J (NO KEY)		

NOTES:

- 1 - CONNECTOR MATERIALS:
HOUSING: HIGH TEMP THERMOPLASTIC, BLACK, UL94-V0
IMLA PLASTIC: HIGH TEMP THERMOPLASTIC, BLACK, UL94-V0
CONTACT: COPPER ALLOY
ORGANIZER: HIGH TEMP THERMOPLASTIC, BLACK, UL94-V0
- 2 - CONTACT PLATING:
SEPARABLE INTERFACE:
PERFORMANCE-BASED PLATING, QUALIFIED TO MEET THE REQUIREMENTS OF FCI PRODUCT SPECIFICATION GS-12-1096 INCLUDING TELCORDIA GR-1217-CORE (NOVEMBER 1995) CENTRAL OFFICE TEST SEQUENCE

PRESS-FIT TAILS: TIN OVER NICKEL (LEAD FREE)
- 3 - PRODUCT SPECIFICATION: GS-12-1096
- 4.- APPLICATION SPECIFICATION GS-20-0361.
- 5 - PACKAGING MEETS GS-14-920 LEAD FREE LABELING SPECIFICATION.
- 6- PRODUCT MARKING, (PROTOTYPE, PART NUMBER & LOT CODE), ON THIS SURFACE.
- 7- THE MINIMUM VIA SPACING BETWEEN STACKED CONNECTORS IS 2.0 MM FOR THIS RAR AND THE MATING HEADER. REFER TO THE APPLICATION SPECIFICATION FOR DETAILS.
- 8- CONNECTOR OUTLINE MAY BE SCREEN PRINTED ONTO CUSTOMER PCB TO BE USED AS A GUIDE FOR MANUAL CONNECTOR PLACEMENT.
- 9- REFER TO CUSTOMER DRAWING 10119933 FOR INFORMATION ON PCB HOLE DIAMETERS AND PLATING OPTIONS
- 10 - THIS PRODUCT MEETS THE EUROPEAN UNION DIRECTIVES & OTHER COUNTRY REGULATIONS AS DESCRIBED IN GS-47-0004.
- 11 - REFER TO APPLICATION SPECIFICATION FOR TRACE ROUTING EXAMPLES THAT INCLUDE DIMENSIONS FOR ANTIPADS, TRACE WIDTH, TRACE SPACING, ETC.
- 12 - THE HOUSING WILL WITHSTAND EXPOSURE TO 260° C PEAK TEMPERATURE FOR 10-30 SECONDS IN A CONVECTION, INFRA-RED OR VAPOR PHASE REFLOW OVEN.
- 13 - THE ADVANCED MATE RECEPTACLE, 10124411-2XXLF, WHEN MATED WITH AN ADVANCED MATE VERTICAL HEADER OR AN ADVANCED MATE RIGHT-ANGLE HEADER WILL PROVIDE 2 PAIRS OF MATING CONTACTS THAT MATE 0.75MM BEFORE THE REMAINDER OF THE SIGNAL AND GROUND CONTACTS.

- 14 - THE SHORT DETECT RECEPTACLE, 10124411-3XXLF, WHEN MATED WITH A STANDARD MATE VERTICAL HEADER OR A STANDARD MATE RIGHT-ANGLE HEADER WILL PROVIDE 1 PAIR OF MATING CONTACTS THAT MATE 1.00MM AFTER THE REMAINDER OF THE SIGNAL AND GROUND CONTACTS.
- 15 - THE ADVANCE MATE/SHORT DETECT RECEPTACLE, 10124411-4XXLF, WHEN MATED WITH AN ADVANCED MATE VERTICAL HEADER OR AN ADVANCED MATE RIGHT-ANGLE HEADER WILL PROVIDE 2 PAIRS OF MATING CONTACTS THAT MATE 0.75MM BEFORE THE REMAINDER OF THE SIGNAL AND GROUND CONTACTS AND 1 PAIR OF MATING CONTACTS THAT MATE 1.00MM AFTER THE REMAINDER OF THE SIGNAL AND GROUND CONTACTS.
- 16 - FOR CONNECTORS WITH EITHER A RIGHT OR LEFT GUIDE MODULE, TWO PHILLIPS PAN HEAD HOLD DOWN SCREWS MUST BE USED TO SECURE THE CONNECTOR TO THE PCB. THE SCREW LENGTH SHALL BE 1.5 - 2.7 mm PLUS THE THICKNESS OF THE BOARD. SCREWS ARE NOT PROVIDED WITH CONNECTOR.
- 17 - LEFT / RIGHT INTEGRATED GUIDE ORIENTATION IS DETERMINED BY THE LOCATION OF THE GUIDE FEATURES WHEN LOOKING AT THE MATING FACE OF THE RIGHT ANGLE RECEPTACLE. THE LEFT / RIGHT DESIGNATION OF THE MATING HEADER IS DEFINED BY THE RIGHT ANGLE RECEPTACLE THAT IT MATES WITH (i.e. A RIGHT GUIDE VERTICAL HEADER MATES WITH A RIGHT GUIDE RIGHT ANGLE RECEPTACLE.)
- 18 - ALL GROUND CONTACTS ARE COMMONED WITHIN A COLUMN.

Amphenol FCI

© 2016 AFCI

spec ref	---	dr	Mark Gray	2013/02/20	projection	MM	size	A2	scale	1:1
tolerance std	ASME Y14.5M	eng	Terry Luo	2017/01/20		← →	ecn no	-	rel level	Released
TOLERANCES UNLESS OTHERWISE SPECIFIED		chr	Heaven Cen	2017/01/20						
surface	linear	0.X	±.3	Amphenol FCI	title		10124411		rev	A
		0.XX	±.10		ExaMAX R.A. RECEPTACLE					
		0.XXX	±.050		ASS'Y, 2 PR, 64 POS, 8 IMLA, 16.0 MM					
	angular	0°	±°	cat. no.	SEE TABLE	Product - Customer Drw		sheet 10 of 10		

PDS: Rev :A

STATUS:Released

Printed: Jan 20, 2017