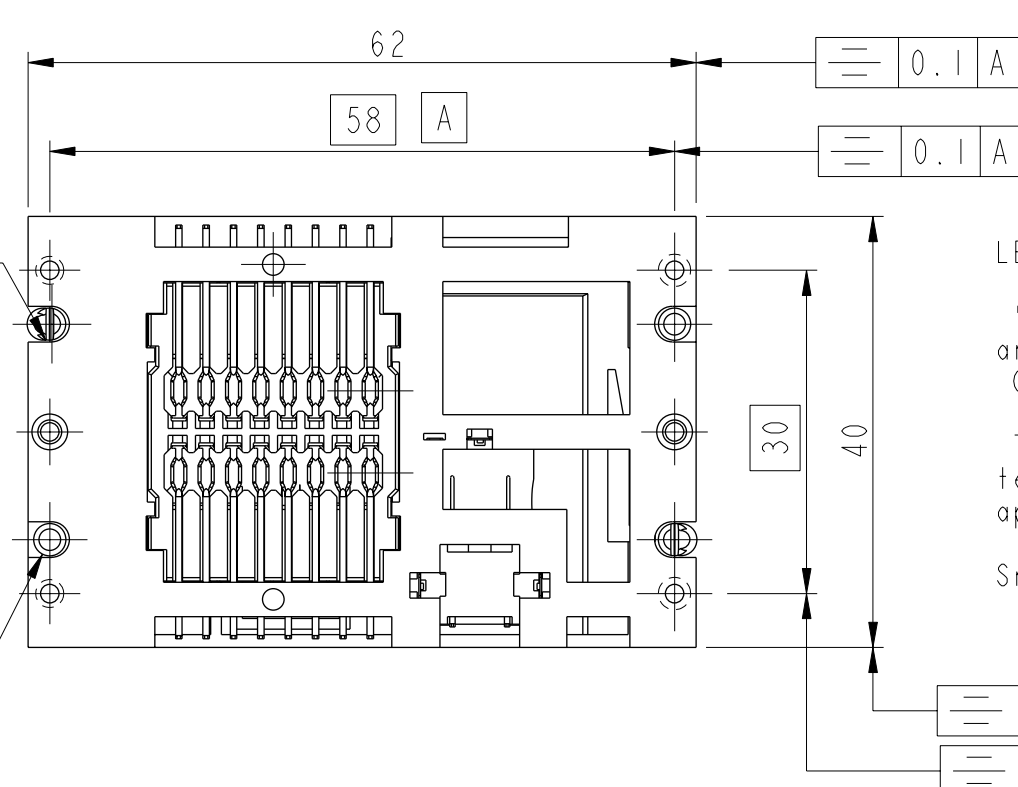
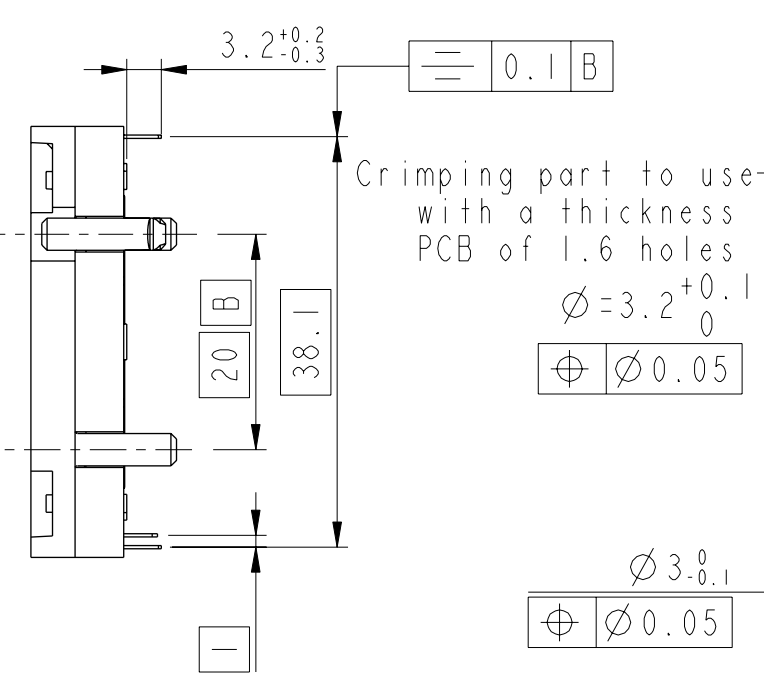
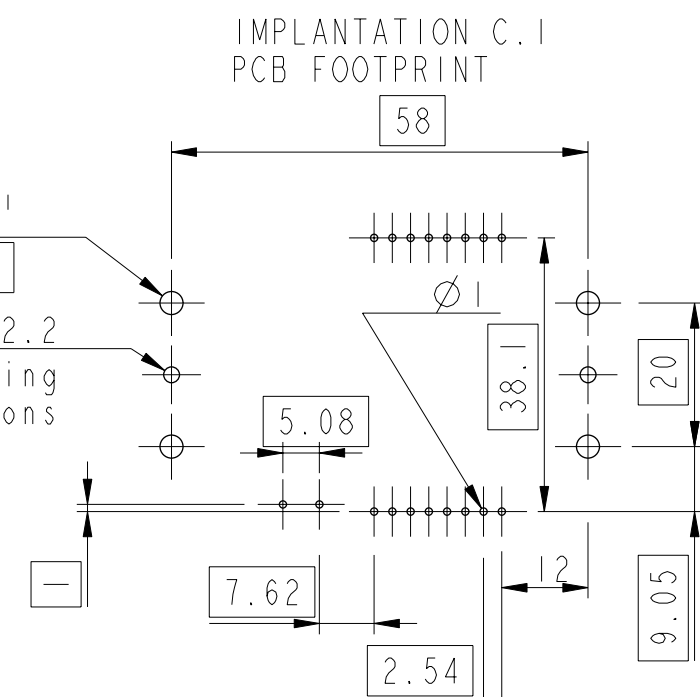
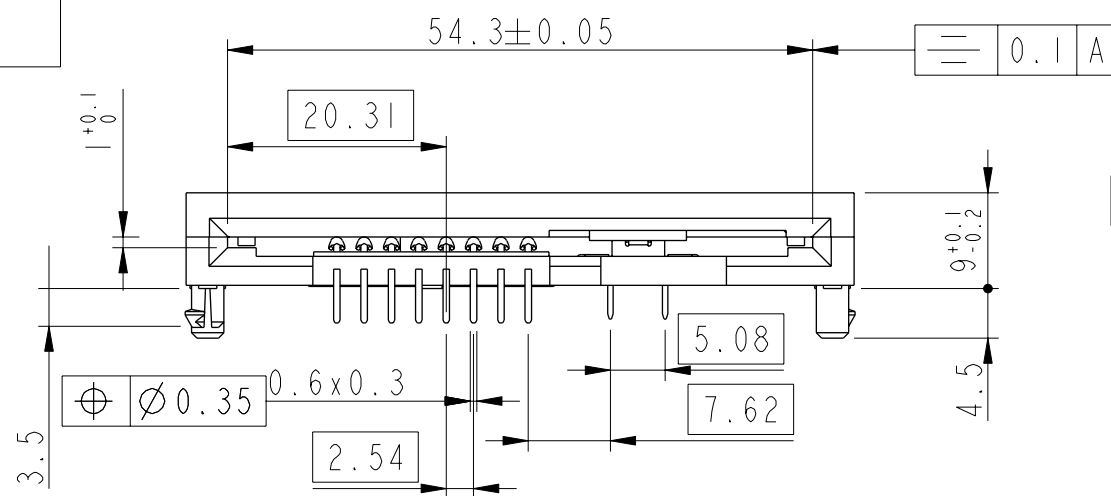


CATALOGUE NUMBER	LEAD FREE VERSION
7434L0835S01	7434L0835S01LF



LEAD FREE VERSION:

"This product meets European Union Directives and other country regulations as described in GS-22-008"

The housing will withstand exposure to 260°C peak temperature for 3-5seconds in a wave solder application with a 1.6mm minimum thick circuit board.

Sn Matte plating on solder tail for Lead Free Versions



Copyright FCI.

Tol Gen: 0mm to 10mm ±0.1mm
 10mm to 30mm ±0.15mm
 30mm to 60mm ±0.2mm
 60mm and above ±0.3mm

rev	ecn no	dr	date
A	F20307	DLE	2002/04/29
B	105-0167	NT	2005/09/26
C	106-0084	SSC	2006/06/21
D	108-0080	SSC	2008/06/28

www.fciconnect.com		surface - ✓ ISO:1302	tolerance std ISO:406 ISO:1101	projection MM
TOLERANCES UNLESS OTHERWISE SPECIFIED				
Dr	D.LEGRAND	2002/04/29	ANGULAR	size A3
Eng	F.TISSERAND	2002/04/29	LINEAR	Scale 1:1
Chr	S.S.CHERIAN	2008/06/28	0° ±°	ECN 108-0080
Appr	S.S.CHERIAN	2008/06/28	Product family SMARTCARD	Spec ref -
title SMARTCARD ASSEMBLY			dwg no VJWI2077	Rev. D
L08-16 CONTACTS - 8 CONTACTS				
catalog no SEE TABLE			sheet 1 of 1	