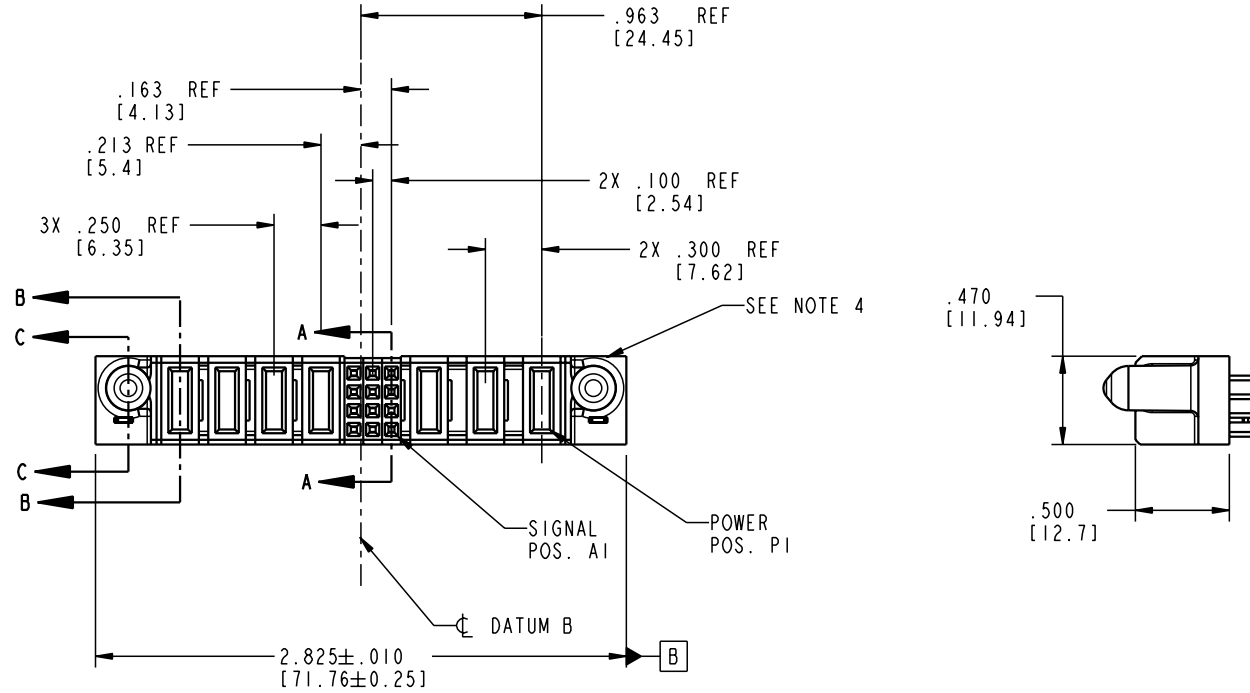


Tous droits strictement réservés. Reproduction ou communication a des tiers interdite sous quelque forme que ce soit sans autorisation écrite du propriétaire. Propriété de c FCI. Droits de reproduction FCI.

All rights strictly reserved. Reproduction or issue to third parties in any form whatever is not permitted without written authority from the proprietor. Property of FCI. Copyright FCI.

PRODUCT NO.	ROWS	POWER				SIG.			POWER				
		E2	P7	P6	P5	P4	3	2	1	P3	P2	P1	E1
51940-057	D C B A		PD	PD	PD	PD	EEE	EEE	EEE	PA	PD	PD	



CODE	DIM "M" MATING LENGTH	CONTACT TYPE
E	N/A [N/A]	SIGNAL
PD	.092 [2.34]	POWER
HA	N/A [N/A]	HOLD-DOWN
PA	.042 [1.07]	POWER

mat'l code				SEE NOTE 2		tolerances unless otherwise specified		CUSTOMER		 www.fciconnect.com		
lfr	ecn no.	dr	date	linear	.XX±.01/0.X±0.3		COPY		title			
A	V03-0961	MEM	8/28/03		.XXX±.005/0.XX±0.13		projection		3ACP + 12S + 4P			
					.XXX±.0020/0.XXX±0.051				VERTICAL SOLDER RECEPT			
					0°±2°		INCH/MM		product family		code	
							scale		PwrBlade		213	
				dr	M. MOSTOLLER	8/28/03	1:1		size		sheet	
				engr	M. MOSTOLLER	8/28/03			dwg no		1 of 4	
				chr	H. BREWBAKER	8/28/03			A			
				appd	M. MOSTOLLER	8/28/03			51940-057			
sheet index	revision	A	A	A	A				cage code			
	sheet	1	2	3	4				22526			

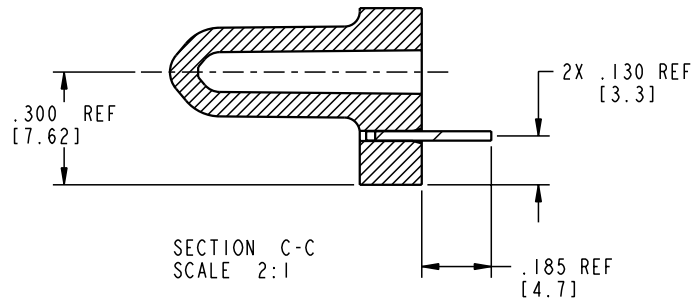
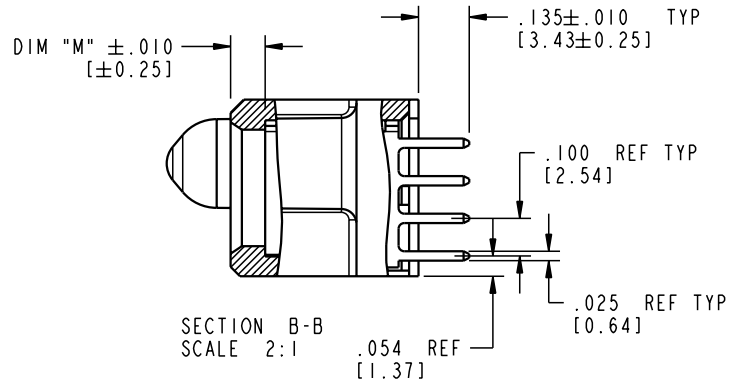
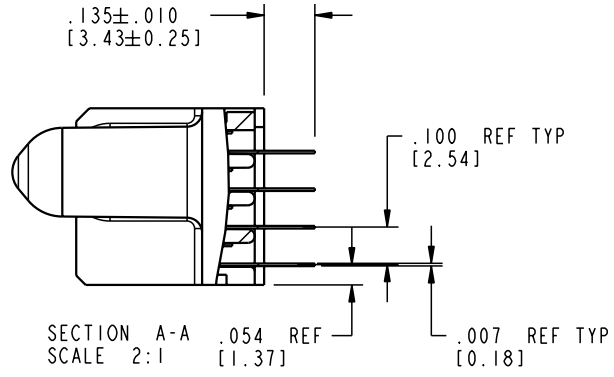
Pro/E


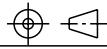
cage code 22526

Tous droits strictement reserves. Reproduction ou communication a des tiers interdite sous quelque forme que ce soit sans autorisation ecrite du proprietaire. Propriete de c FCI. Droits de reproduction FCI.

All rights strictly reserved. Reproduction or issue to third parties in any form whatever is not permitted without written authority from the proprietor. Property of FCI. Copyright FCI.

PRODUCT NUMBER
51940-057



mat'l code		SEE NOTE 2		tolerances unless otherwise specified		CUSTOMER		 www.fciconnect.com	
lfr	ecn no.	dr	date	linear	.XX±.01/0.X±0.3	COPY		title	
A					.XXX±.005/0.XX±0.13	projection		3ACP + 12S + 4P	
				angles	.XXX±.0020/0.XXX±0.051			VERTICAL SOLDER RECEPT	
				dr	0°±2°	INCH/MM		product family	
				enr	M. MOSTOLLER 8/28/03	scale		PwrBlade	
				chr	H. BREWBAKER 8/28/03	1:1		code	
				appd	M. MOSTOLLER 8/28/03			size	
sheet index		revision sheet						dwg no	
								A 51940-057	
								sheet	
								2 of 4	

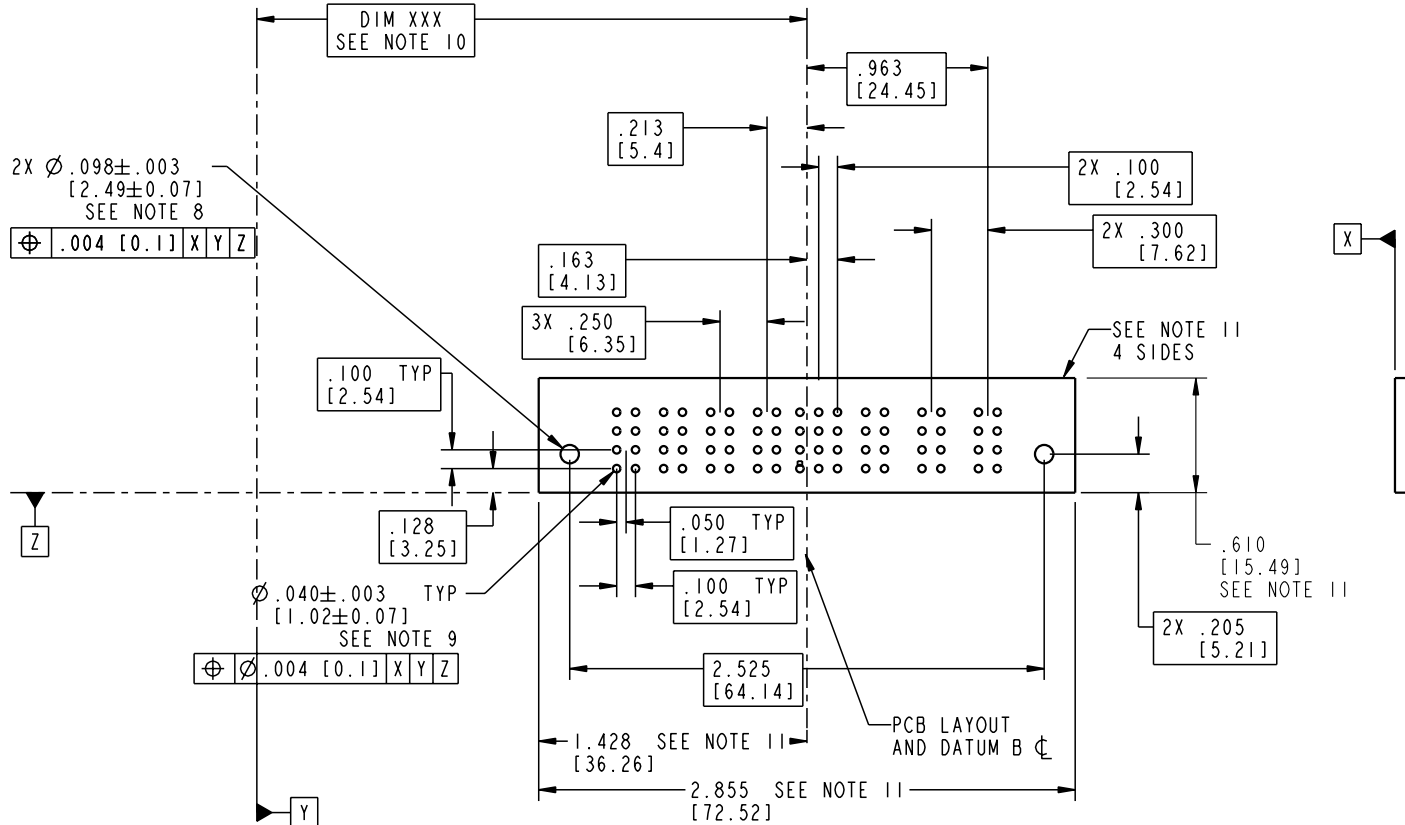
cage code 22526

Pro/E

Tous droits strictement réservés. Reproduction ou communication à des tiers interdite sous quelque forme que ce soit sans autorisation écrite du propriétaire. Propriété de c FCI. Droits de reproduction FCI.

All rights strictly reserved. Reproduction or issue to third parties in any form whatever is not permitted without written authority from the proprietor. Property of FCI. Copyright FCI.

PRODUCT NUMBER
51940-057



mat'l code		SEE NOTE 2		tolerances unless otherwise specified		CUSTOMER		 www.fciconnect.com	
lfr	ecn no.	dr	date	linear	.XX±.01/0.X±0.3	COPY		title	
A					.XXX±.005/0.XX±0.13	projection		3ACP + 12S + 4P	
				angles	.XXX±.0020/0.XXX±0.051	 INCH/MM		VERTICAL SOLDER RECEPT	
				dr	0°±2°	product family		PwrBlade	
				enrg	M. MOSTOLLER 8/28/03	size		dwg no	
				chr	H. BREWBAKER 8/28/03	scale		A 51940-057	
				appd	M. MOSTOLLER 8/28/03	1:1		code	
sheet index	revision							213	
	sheet							sheet	
								3 of 4	

cage code 22526

Pro/E

Tous droits strictement réservés. Reproduction ou communication à des tiers interdite sous quelque forme que ce soit sans autorisation écrite du propriétaire. Propriété de c FCI. Droits de reproduction FCI.



All rights strictly reserved. Reproduction or issue to third parties in any form whatever is not permitted without written authority from the proprietor. Property of FCI. Copyright FCI.

PRODUCT NUMBER
51940-057

NOTES:

1. DIMENSIONS AND TOLERANCES ARE IN ACCORDANCE WITH ASME Y14.5M, 1994 UNLESS OTHERWISE SPECIFIED.

CONNECTOR NOTES:

- 2 HOUSING MATERIAL: UL 94 V-0 GLASS FILLED
HIGH-TEMP THERMOPLASTIC
POWER CONTACT MATERIAL: COPPER ALLOY
SIGNAL PIN MATERIAL: COPPER ALLOY
- 3. PLATING:
SIGNAL PINS: 30u"/0.76um Au OVER 50u"/1.27um Ni
POWER CONTACTS: 50u"/1.27um Ni UNDER ALL WITH 30u"/0.76um Au ON CONTACT AREA AND SnPb ON PCB INTERFACE
- 4 MANUFACTURER'S NAME, P/N, AND DATE CODE TO APPEAR ON THIS SURFACE.
- 5. PRODUCT SPECIFICATION GS-12-149.
APPLICATION SPECIFICATION BUS-20-067.
- 6. PACKAGED IN TRAYS.
PCB NOTES:
7. ALL HOLE DIAMETERS ARE FINISHED HOLE SIZE.
- 8 MOUNTING HOLES, WHERE APPLICABLE, ARE UNPLATED.
- 9 $\varnothing .0453 \pm .0010$ [1.151 \pm 0.025] DRILLED HOLES PLATED WITH .0003 [0.008] MIN SnPb OVER .001 [0.03] TO .003 [0.08] Cu PLATING TO ACHIEVE $\varnothing .040 \pm .003$ [1.02 \pm .07] HOLE.
- 10 "DIM XXX" TO BE DETERMINED BY THE CUSTOMER.
- 11 CONNECTOR KEEP-OUT ZONE.

mat'l code		SEE NOTE 2		tolerances unless otherwise specified		CUSTOMER		 www.fciconnect.com	
l/r	ecn no.	dr	date	linear	.XX±.01/0.X±0.3	COPY		projection	title 3ACP + 12S + 4P VERTICAL SOLDER RECEPT
A					.XXX±.005/0.XX±0.13				
				angles	.XXX±.0020/0.XXX±0.051	INCH/MM			product family PwrBlade
				dr	0°±2°	scale 1:1			code 213
				engr	M. MOSTOLLER 8/28/03			size	dwg no A 51940-057
				chr	H. BREWBAKER 8/28/03			sheet	4 of 4
				appd	M. MOSTOLLER 8/28/03				
sheet index	revision sheet								

cage code 22526

Pro/E