

ATLANTIC VERSION TERMINATOR INTERFACE ADAPTER	PART NUMBER	REVISION	DESCRIPTION	FEED TYPE	APPLICATOR STYLE CONVERSION CHART						
					CONVERT TO	PART NUMBERS REQUIRED					
	2266826-1	A	FINE CRIMP HEIGHT ADJUST	MECHANICAL	PNEUMATIC FEED	2119950-1	1338685-1	5-18022-5	2119641-1	2119799-1	2063440-1
	2266826-2	A	FINE CRIMP HEIGHT ADJUST	PNEUMATIC	SERVO LATCH PLATE	2119951-1	-	8-2266826-5	1901094-3	-	2168400-6 (QUANTITY 2)
					SMART APPLICATOR	2161326-1	-	8-2266826-4	-	-	
					MECHANICAL FEED	2119949-1	1338685-1	5-18022-5	2119653-1	-	-
	2266826-5	A	FINE CRIMP HEIGHT ADJUST	SERVO LATCH PLATE <sup>4</sup>	SERVO LATCH PLATE	2119951-1	-	8-2266826-5	1901094-3	-	2168400-6 (QUANTITY 2)
					SMART APPLICATOR	2161326-1	-	8-2266826-4	-	-	
	2266826-6	A	NON-CRIMP HEIGHT ADJUST	SERVO LATCH PLATE <sup>4</sup>	MECHANICAL FEED	2119949-1	1338685-1	5-18022-5	2119653-1	-	-
PNEUMATIC FEED					2119950-1	1338685-1	5-18022-5	2119641-1	2119799-1	2063440-1	
2266826-7	A	FINE CRIMP HEIGHT ADJUST	NONE	-	-	-	-	-	-	-	
7-2266826-7	A	CRIMP TOOLING KIT	-	-	-	-	-	-	-	-	

APPLICATOR DATA		
CRIMP	SIZE	TYPE
WIRE	1.45 mm [.057]	F
INSUL	1.75 mm [.069]	O

APPLICATOR INSTRUCTIONS 408-10389

TERMINAL DATA: DELPHI TERMINAL		TE CRIMP SPECIFICATION	
TERMINAL NAME: TAXI TERMINAL F SOCKET 1.0 SEALED			
WIRE STRIP LENGTH		INSULATION DIAMETER RANGE	
3.70-4.46 mm [.146-.176 IN]		Ø1.45-1.88 mm [.057-.074 IN]	
TERMINAL APPLICATION SPECIFICATION	NONE		
TERMINALS APPLIED			
TE TERMINAL	DELPHI TERMINAL	TE TERMINAL	DELPHI TERMINAL
2113723-1	13551420		

WIRE SIZE	CRIMP HEIGHT mm [INCH]	CRIMP HEIGHT REFERENCE SETTING
0.50mm2	0.90 +/- 0.05 [.035 +/- .002]	4.1
0.35mm2	0.80 +/- 0.05 [.031 +/- .002]	5.2

- RECOMMENDED SPARE PARTS
- GREASE BEARING SURFACES LIGHTLY
- 3. LUBRICATE DAILY PER THE APPLICATOR INSTRUCTION SHEET SUPPLIED WITH THE APPLICATOR.
- APPLICATOR SPECIFIC DATA TO BE ENTERED INTO BLANK MEMORY CHIP AT ASSEMBLY. SEE BELOW FOR PART NUMBER:  
 MECHANICAL FEED WITH "SMART APPLICATOR" CONVERSION: 8-2266826-4  
 PNEUMATIC FEED WITH "SMART APPLICATOR" CONVERSION: 8-2266826-4  
 SERVO FEED WITH "FINE CRIMP HEIGHT ADJUST": 8-2266826-5  
 SERVO FEED WITH "NON-CRIMP HEIGHT ADJUST": 8-2266826-6
- 5. ADJUSTMENT OF THE STRIPPER MAY BE REQUIRED WHEN MOVING THE APPLICATOR BETWEEN BENCH AND LEADMAKER APPLICATIONS.
- APPLY PART NUMBER 1-23419-5 LOCTITE TO THREADS OF ITEM 62. APPLY PART NUMBER 2-23419-6 LOCTITE TO THREADS OF ITEM 242. FOR -6 ONLY APPLY PART NUMBER 1-23419-5 LOCTITE TO THREADS OF ITEM 37.
- GREASE THREADS, GROOVE AND O-RING ON ITEMS 35 & 252.
- MAGNET, ITEM 166 MUST BE ORIENTED CORRECTLY IN ORDER TO PROPERLY ACTUATE THE COUNTER.
- CRIMP HEIGHT REFERENCE SETTING WAS THE SETTING USED WHEN THE APPLICATOR WAS QUALIFIED AT THE FACTORY. ADJUSTMENT MAY BE NECESSARY WHEN RUNNING APPLICATOR IN THE FIELD.
- SPARE FEED CAM STORAGE LOCATION REFER TO INSTRUCTION SHEET FOR ADDITIONAL INFORMATION.
- TO CONVERT THE APPLICATOR TO A NON-CARRIER CUTTING STYLE, REMOVE ITEM 13 AND ATTACH TO THE LOCATION ON THE BACK SIDE OF THE HOUSING. REFER TO INSTRUCTION SHEET FOR ADDITIONAL INFORMATION.
- WHEN ASSEMBLING A NON CRIMP HEIGHT ADJUST APPLICATOR (-6) USE SHIMS FROM ITEM 260 TO ACHIEVE A NOMINAL SHIM HEIGHT OF 4.90.
- CUT TO LENGTH AT ASSEMBLY

**\*WARNING**  
 ON INSTALLATION, SET WIRE DISC, ITEM 40 TO LARGEST WIRE SIZE SETTING. USE OF SETTINGS BELOW MINIMUM REQUIRED CRIMP HEIGHT SETTING WILL CAUSE DAMAGE TO CRIMP TOOLING.

-77	-7	-6	-5	-2	-1	PART NO	DESCRIPTION	ITEM NO
-	-	1	-	-	-	2119957-2	APPLICATOR SHIM PACK	260

**ATLANTIC VERSION**  
 Shown on sheets 1 of 4 & 2 of 4  
 (Pacific version shown on sheets 3 of 4 & 4 of 4)

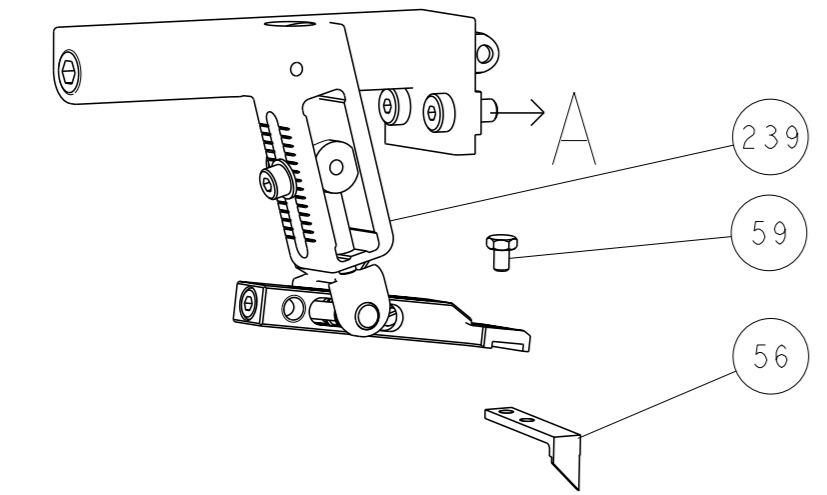
SET UP GAUGE	LOC	DIST	REVISIONS			
2119599-1	A	66	#	DATE	BY	APPV
			1	23JUN2015	GH	TE
			A	19NOV2015	GH	TE

#	QTY	DESCRIPTION	DATE	OWN	APPV
-	1	8-21084-0 O-RING, .676 ID, .070 DIA. MAT.			252
-	-	2119640-1 PUSH ROD, AIR FEED			250
-	-	2079988-1 BUSHING, LCH5-12, MISUMI			249
-	-	2119641-1 FEED CAM, AIR FEED			248
-	1	2119798-1 DETENT PIN			247
-	1	1-22279-3 SPRING, COMPRESSION			246
-	-	2119758-1 RAM, AMP STYLE, SIDE FEED, NON-ADJ.			245
-	1	2119082-5 CAM, SNAIL, INSULATION ADJUSTMENT			244
-	1	2079764-1 WASHER, WAVE SPRING, CREST-TO-CREST			243
-	1	2119083-1 RETAINER, INSULATION DIAL			242
-	1	7-18023-7 SCR, SKT HD CAP M3 X 4.0			241
-	2	2168400-6 SHCS, LOW HEAD, RoHS, M5 X 16			240
-	-	2119580-1 MECHANICAL FEED ASSEMBLY			239
-	-	2063440-1 AIR FEED MODULE			238
-	1	2119740-2 TAG, IDENTIFICATION			213
-	1	1901094-3 SPACER, FEEDER			198
-	-	21045-3 RING, RETAIN, EXTERN, 3/16 CRESCENT			172
-	1	994969-1 MAGNET, RARE EARTH HIGH ENERGY			166
-	REF	994970-2 COUNTER, MAGNETIC			164
-	-	240638-1 SPRING, FEED FINGER			163
-	-	3-23627-7 PIN, RETAIN, GRVD, 3/16 X .854			137
-	-	2119799-1 HOLDER, FEED FINGER, AF			136
-	REF	SEE NOTE 4 MEMORY CHIP, PROGRAMMED			135
-	1	1633743-1 SERVO FEED LATCH ASM			133
-	REF	2119944-1 FEED FINGER ASSEMBLY, SF			117
-	1	455888-5 SPACER, CRIMPER			82
-	1	2119956-1 DOCUMENTATION PACKAGE			71
-	1	2119791-5 DEPRESSOR, WIRE			70
-	1	2119740-1 TAG, IDENTIFICATION			67
-	2	2168078-1 SCREW, DRIVE, RH, RoHS, 2 x .188			66
-	1	2119793-1 LIMITER, ADJUSTMENT BOLT			63
-	3	992763-5 SCR, SET, SOC, CONE POINT, M3 x 4.0			62
-	1	2079383-4 SCR, BHSC, RoHS (M4 X 8)			60
-	-	5-18022-5 SCR, HEX HD CAP, M4 X 6.0			59
-	-	1338685-1 PAWL, FEED			56
-	4	2168400-1 SHCS, LOW HEAD, RoHS, M4 X 12			54
-	2	2168083-8 SCR, SKT HD CAP, RoHS, M4 X 16			53
-	1	5018030-1 NUT, HEX, REG, RoHS, M3			52
-	1	811242-5 BUMPER, HOLD DOWN			51
-	1	690753-2 SPACER, TONKER			50
-	-	18023-9 SCR, SKT HD CAP M4 X 6.0			49
-	-	2119652-1 FEED CAM, PRE FEED			48
-	-	2119653-1 FEED CAM, POST FEED			47
-	1	2119656-9 APPLICATOR BASIC ASSEMBLY, SF			46
-	1	2119370-1 RAM, AMP STYLE, SIDE FEED			44
-	1	2079383-7 SCR, BHSC, RoHS (M8 X 25)			41
-	1	2119645-1 DISC, NUMBERED FA WIRE ADJUSTMENT			40
-	1	2119957-1 APPLICATOR SHIM PACK			39
-	1	1-2119644-4 RAM WASHER, PRECISION			38
-	1	2119085-1 FA HEAD, ATLANTIC STYLE			37
-	1	2119092-1 BOLT, ADJUSTMENT			35
-	1	1-1752356-8 SUPPORT, TERMINAL			34
-	2	2079383-5 SCR, BHSC, RoHS (M4 X 20)			33
-	1	2161328-1 HEX HEAD, FLANGED, M5 x 8mm LONG			32
-	1	1320908-3 SPACER, STRIP GUIDE			30
-	1	2119959-1 ASSEMBLY, STRIP GUIDE			29
-	1	1320928-2 STRIP GUIDE			24
-	1	2168083-2 SCR, SKT HD CAP, RoHS, M4 X 8.0			21
-	2	1-18028-2 WASHER, FLAT, REG M4			20
-	1	2119533-1 STRIPPER, SIDE FEED			19
-	1	2119806-1 INSERT, SHEAR			13
-	1	3-22280-3 SPRING, COMPRESSION			12
-	1	1-356885-4 STOP, SHEAR			11
-	1	2119805-1 SHEAR HOLDER, FRONT			10
-	1	1803095-3 FLOATING SHEAR, FRONT			9
-	1	5-1803171-1 ANVIL, COMBINATION			8
-	1	240641-5 SPACER			7
-	-	-			6
-	1	2119757-4 DEPRESSOR, SHEAR			5
-	1	2-238011-2 BLOCK, CRIMPER SPACER			4
-	1	5-1803018-8 CRIMPER, INSULATION O			3
-	1	455888-6 SPACER, CRIMPER			2
-	1	4-1633305-8 CRIMPER, WIRE PREMIUM			1

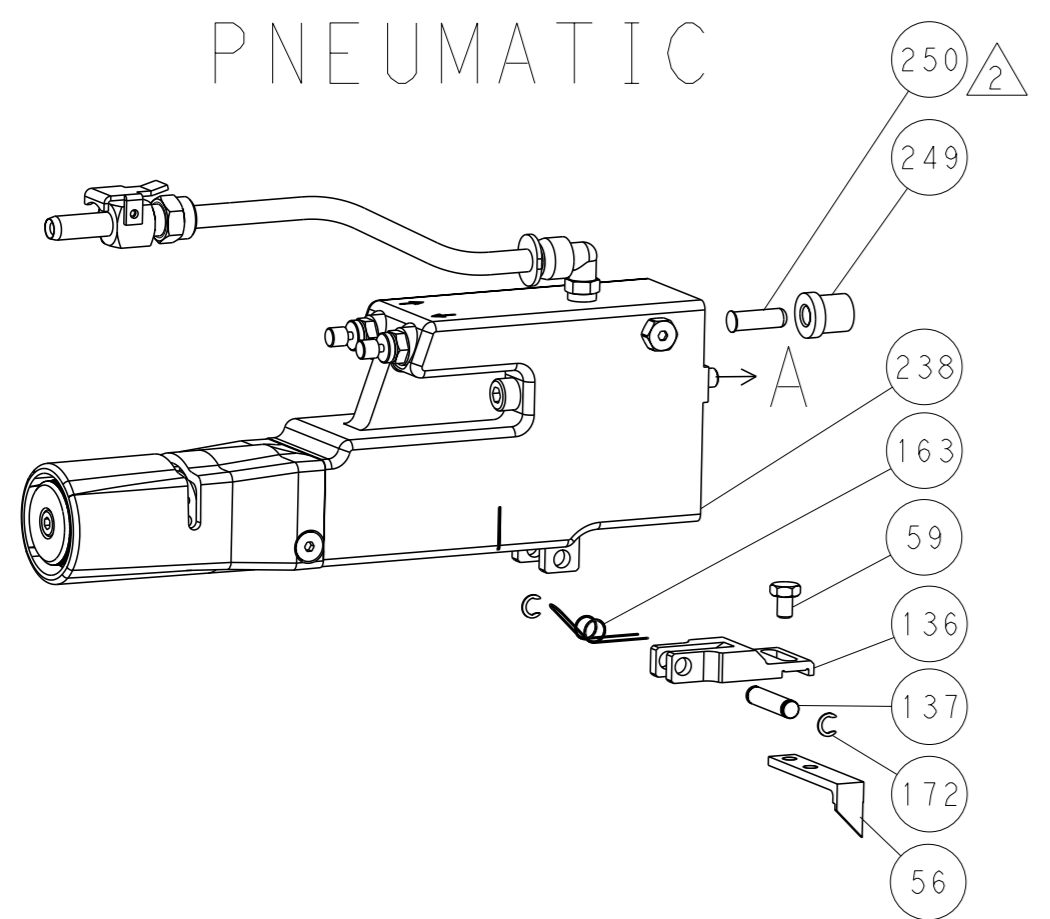
DIMENSIONS:		TOLERANCES UNLESS OTHERWISE SPECIFIED:		OWN	DATE	TE Connectivity	
mm	0 PLC ±.5	1 PLC ±.3	2 PLC ±.13	HOFFNER	22JUNE2015	Harrisburg, PA 17105-3608	
	3 PLC ±0.013	4 PLC ±0.0001	ANGLES ±.1	T. ELBIN	23JUNE2015	Ocean Side Feed Applicator	
MATERIAL	FINISH	WEIGHT	SCALE	APV	DATE	SIZE	RESTRICTED TO
			1:2			A1 00779	Customer Accessible Production Drawing

LOC		DIST		REVISIONS			
A	66	P	LYR	DESCRIPTION	DATE	OWN	APVD
		-		SEE SHEET 1	-	-	-

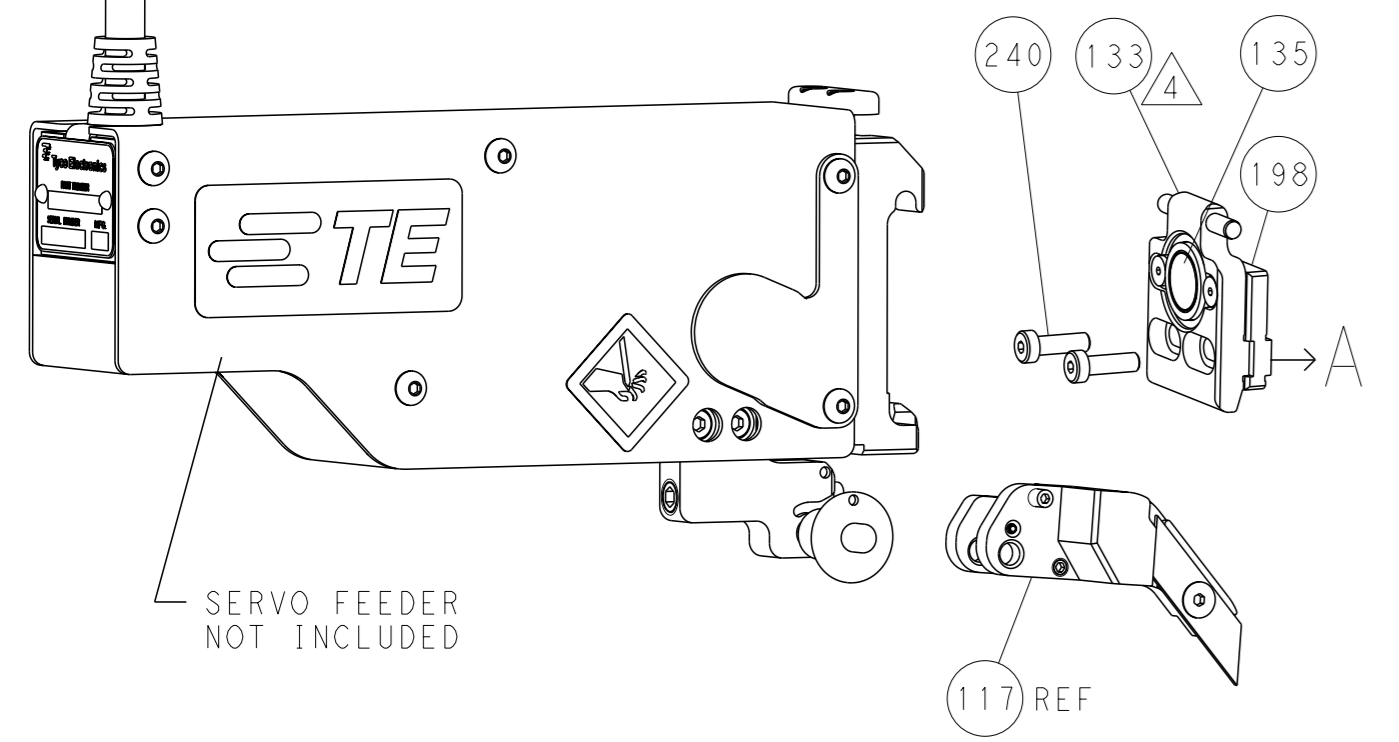
### FEED TYPE MECHANICAL



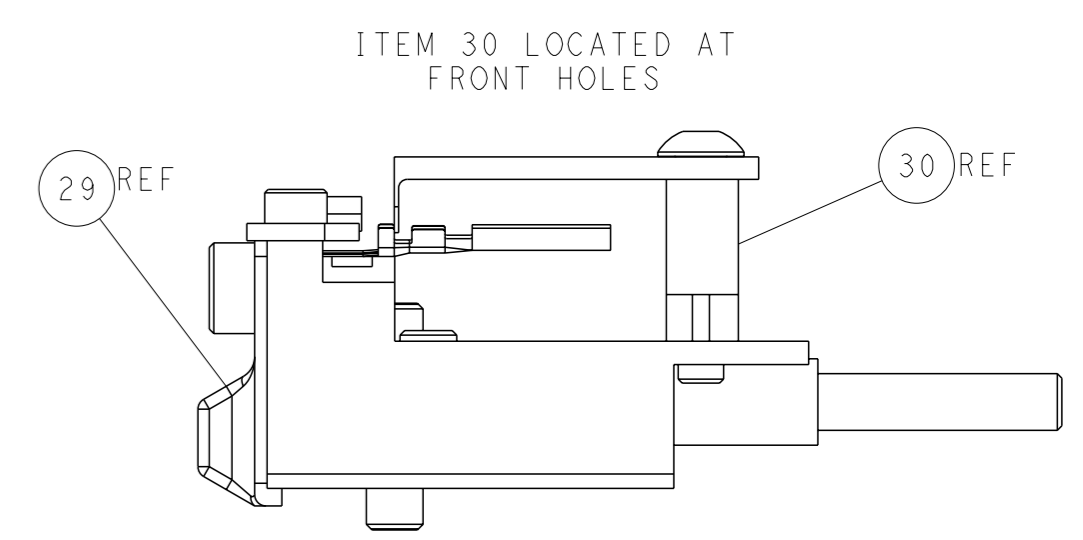
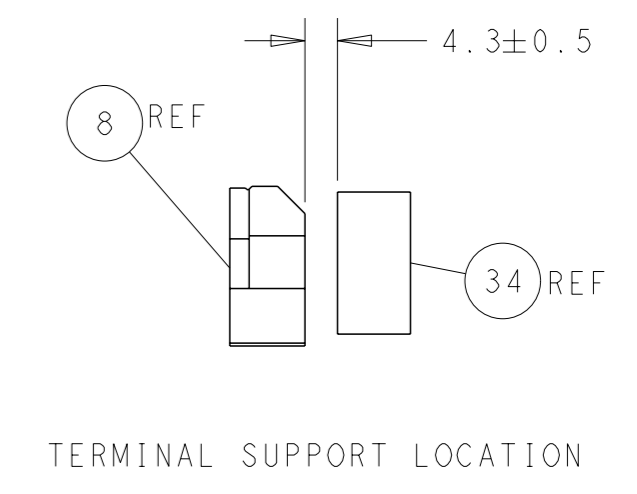
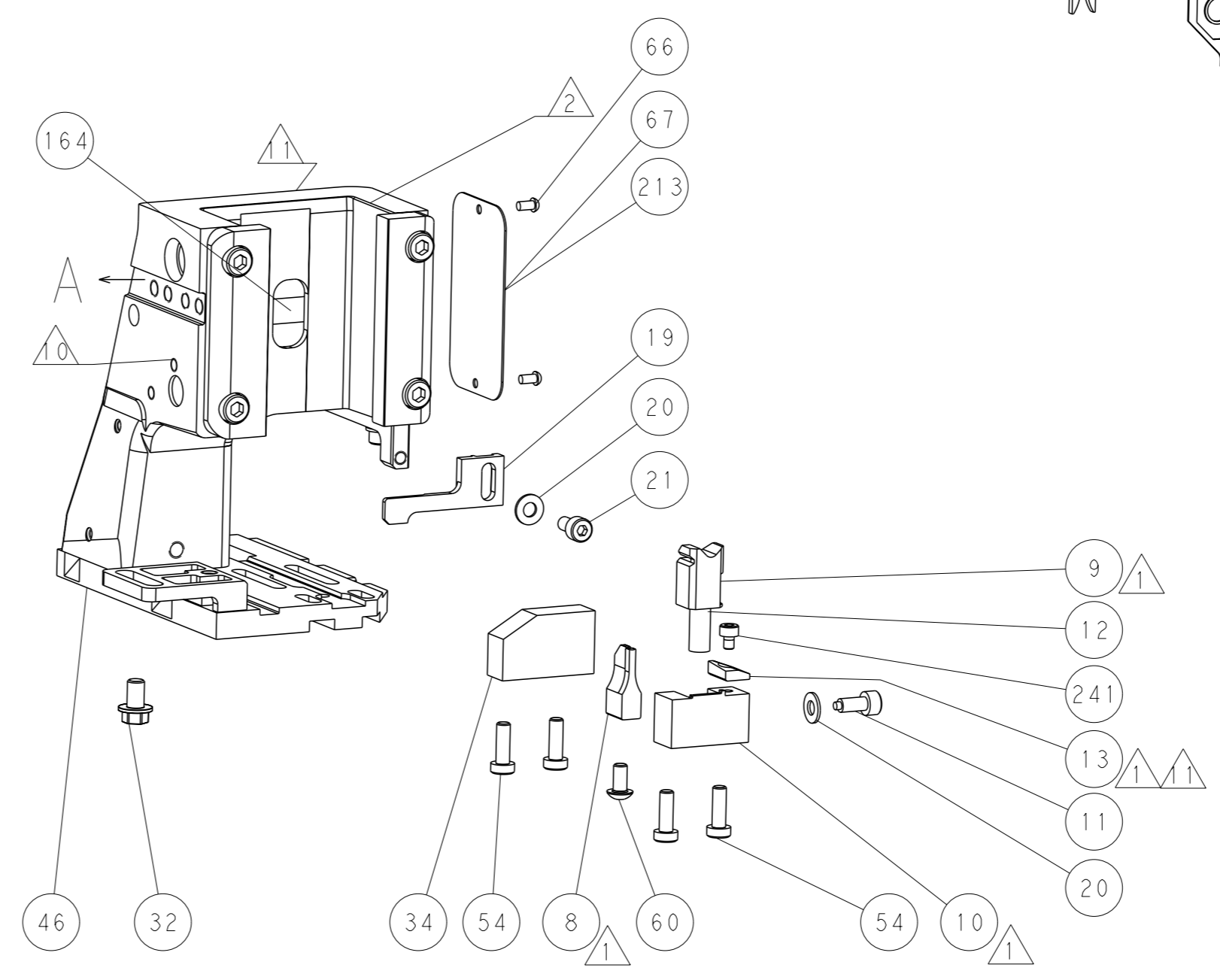
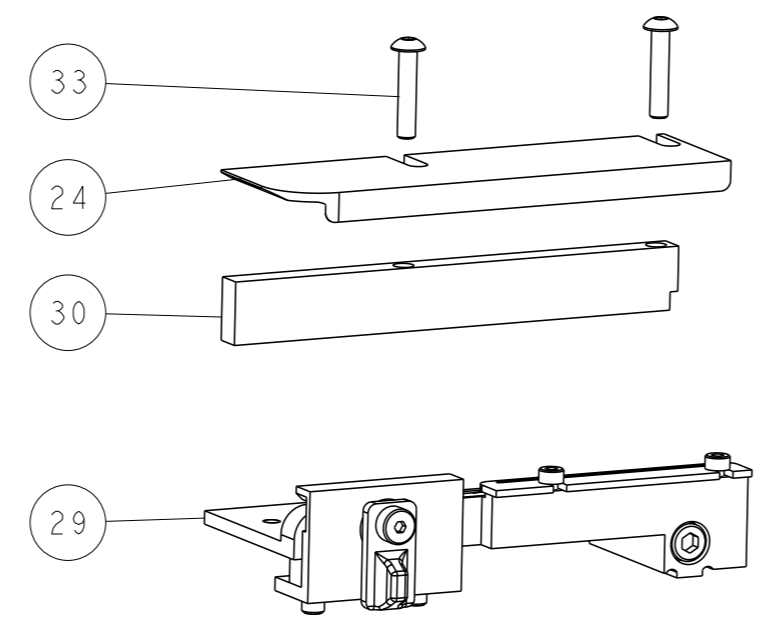
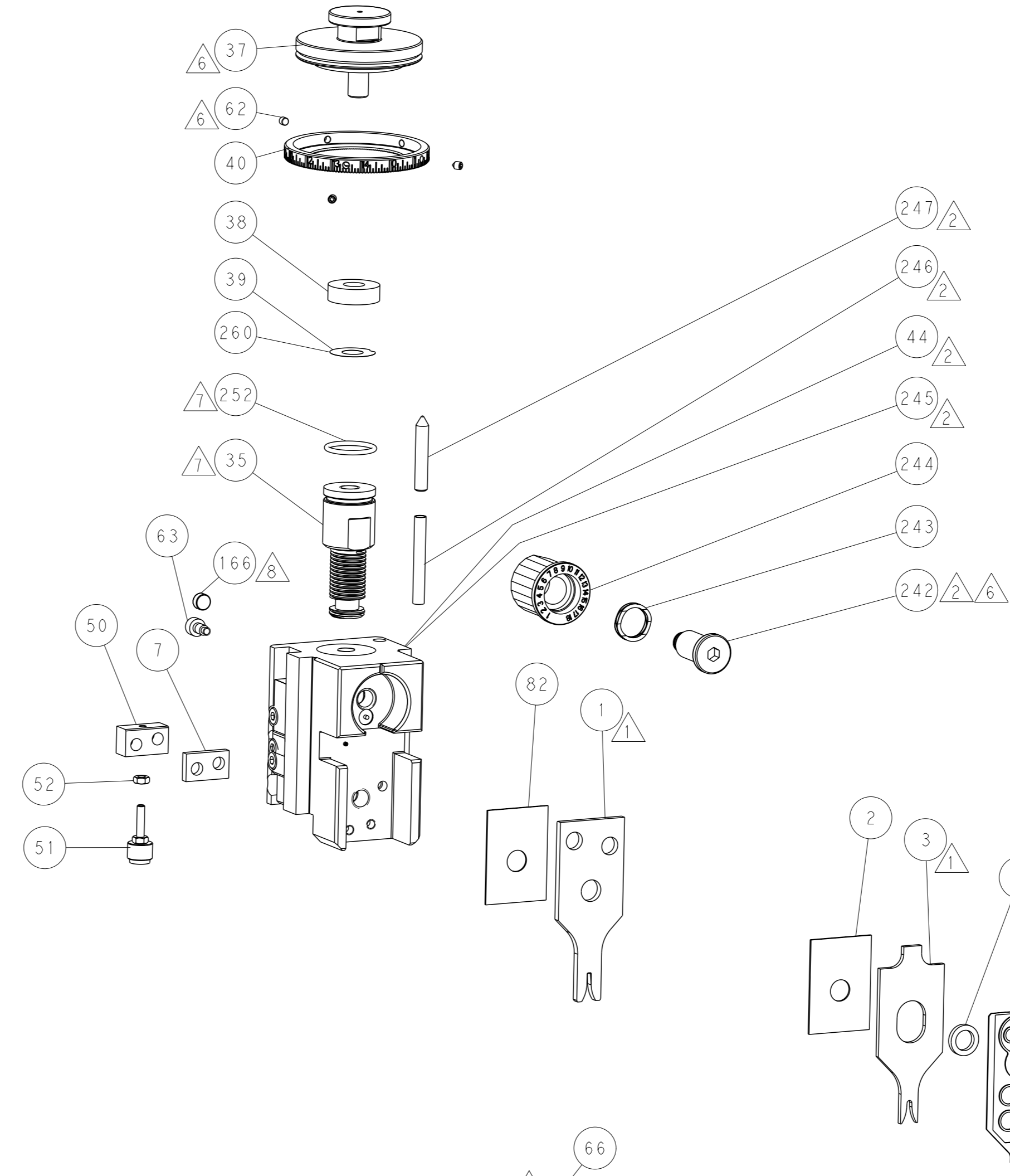
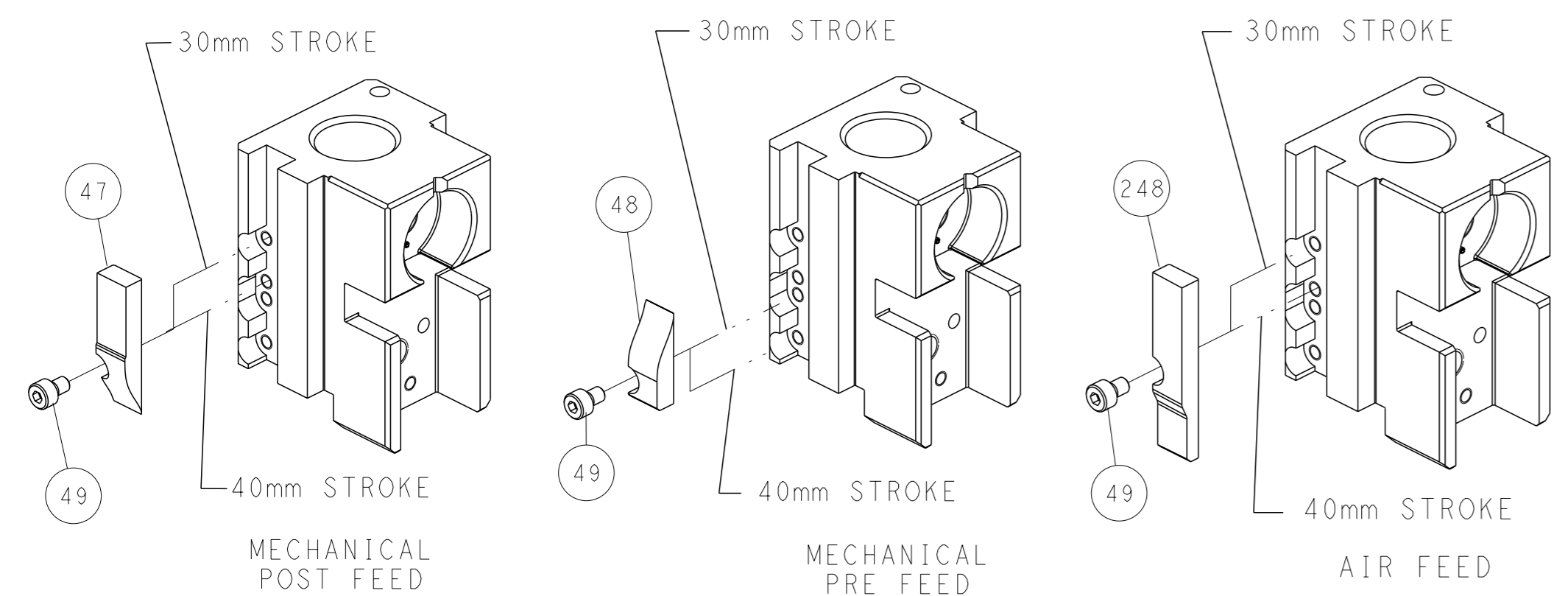
### PNEUMATIC



### SERVO LATCH PLATE



### CAM POSITIONS



**ATLANTIC VERSION**  
 Shown on sheets 1 of 4 & 2 of 4  
 (Pacific version shown on sheets 3 of 4 & 4 of 4)

<small>THIS DRAWING IS UNPUBLISHED. RELEASED FOR PUBLICATION BY TYCO ELECTRONICS CORPORATION. ALL RIGHTS RESERVED.</small>		OWN: HOFFNER 22JUNE2015 CHK: T.ELBIN 23JUNE2015 APVD: T.ELBIN 23JUNE2015	NAME: Ocean Side Feed Applicator SIZE: A1 CAGE CODE: 00779 DRAWING NO: C=2266826	TE Connectivity Harrisburg, PA 17105-3608
DIMENSIONS: mm TOLERANCES UNLESS OTHERWISE SPECIFIED: 0 PLC ±0.5 2 PLC ±0.13 3 PLC ±0.013 4 PLC ±0.0001 ANGLES ±	WEIGHT: - FINISH: -	APPLICATION SPEC: - RESTRICTED TO: -	SCALE: 1:2 SHEET: 2 of 4 REV: A	Customer Accessible Production Drawing

PACIFIC VERSION TERMINATOR INTERFACE ADAPTER	PART NUMBER	REVISION	DESCRIPTION	FEED TYPE	APPLICATOR STYLE CONVERSION CHART						
					CONVERT TO	PART NUMBERS REQUIRED					
	2-2266826-1	A	FINE CRIMP HEIGHT ADJUST	MECHANICAL	PNEUMATIC FEED	2119950-1	1338685-1	5-18022-5	2119641-2	2119799-1	2063440-1
					SERVO LATCH PLATE	2119951-1	-	8-2266826-5	1901094-3	-	2168400-6 (QUANTITY 2)
					SMART APPLICATOR	2161326-1	-	8-2266826-4	-	-	-
	2-2266826-2	A	FINE CRIMP HEIGHT ADJUST	PNEUMATIC	MECHANICAL FEED	2119949-1	1338685-1	5-18022-5	2119653-2	-	-
					SERVO LATCH PLATE	2119951-1	-	8-2266826-5	1901094-3	-	2168400-6 (QUANTITY 2)
					SMART APPLICATOR	2161326-1	-	8-2266826-4	-	-	-
	2-2266826-5	A	FINE CRIMP HEIGHT ADJUST	SERVO LATCH PLATE	MECHANICAL FEED	2119949-1	1338685-1	5-18022-5	2119653-2	-	-
					PNEUMATIC FEED	2119950-1	1338685-1	5-18022-5	2119641-2	2119799-1	2063440-1
	2-2266826-7	A	FINE CRIMP HEIGHT ADJUST	NONE	-	-	-	-	-	-	-
	7-2266826-7	A	CRIMP TOOLING KIT	-	-	-	-	-	-	-	-

APPLICATOR DATA		
CRIMP	SIZE	TYPE
WIRE	1.45 mm [.057]	F
INSUL	1.75 mm [.069]	O
APPLICATOR INSTRUCTIONS 408-10389		

TERMINAL DATA: DELPHI TERMINAL		TE CRIMP SPECIFICATION	
TERMINAL NAME: TAXI TERMINAL F SOCKET 1.0 SEALED			
WIRE STRIP LENGTH		INSULATION DIAMETER RANGE	
3.70-4.46 mm [.146-.176 IN]		Ø1.45-1.88 mm [.057-.074 IN]	
TERMINAL APPLICATION SPECIFICATION	NONE	-	-
TERMINALS APPLIED			
TE TERMINAL	DELPHI TERMINAL	TE TERMINAL	DELPHI TERMINAL
2113723-1	13551420		

WIRE SIZE	CRIMP HEIGHT mm [INCH]	CRIMP HEIGHT REFERENCE SETTING
0.50mm2	0.90 +/- 0.05 [.035 +/- .002]	4.1
0.35mm2	0.80 +/- 0.05 [.031 +/- .002]	5.2

- RECOMMENDED SPARE PARTS
- GREASE BEARING SURFACES LIGHTLY
- 3. LUBRICATE DAILY PER THE APPLICATOR INSTRUCTION SHEET SUPPLIED WITH THE APPLICATOR.
- 4. APPLICATOR SPECIFIC DATA TO BE ENTERED INTO BLANK MEMORY CHIP AT ASSEMBLY. SEE BELOW FOR PART NUMBER:  
MECHANICAL FEED WITH "SMART APPLICATOR" CONVERSION: 8-2266826-4  
PNEUMATIC FEED WITH "SMART APPLICATOR" CONVERSION: 8-2266826-4  
SERVO FEED WITH "FINE CRIMP HEIGHT ADJUST": 8-2266826-5
- 5. ADJUSTMENT OF THE STRIPPER MAY BE REQUIRED WHEN MOVING THE APPLICATOR BETWEEN BENCH AND LEADMAKER APPLICATIONS.
- 6. APPLY PART NUMBER 1-23419-5 LOCTITE TO THREADS OF ITEM 62. APPLY PART NUMBER 2-23419-6 LOCTITE TO THREADS OF ITEM 242.
- GREASE THREADS, GROOVE AND O-RING ON ITEMS 139 & 152.
- 8. MAGNET MUST BE ORIENTED CORRECTLY IN ORDER TO PROPERLY ACTUATE THE COUNTER.
- 9. CRIMP HEIGHT REFERENCE SETTING WAS THE SETTING USED WHEN THE APPLICATOR WAS QUALIFIED AT THE FACTORY. ADJUSTMENT MAY BE NECESSARY WHEN RUNNING APPLICATOR IN THE FIELD.
- 10. SPARE FEED CAM STORAGE LOCATION REFER TO INSTRUCTION SHEET FOR ADDITIONAL INFORMATION.
- 11. TO CONVERT THE APPLICATOR TO A NON-CARRIER CUTTING STYLE, REMOVE ITEM 13 AND ATTACH TO THE LOCATION ON BACK SIDE OF THE HOUSING. REFER TO INSTRUCTION SHEET FOR ADDITIONAL INFORMATION.
- 12. CUT TO LENGTH AT ASSEMBLY.

**\*WARNING**  
ON INSTALLATION, SET WIRE DISC, ITEM 40 TO LARGEST WIRE SIZE SETTING. USE OF SETTINGS BELOW MINIMUM REQUIRED CRIMP HEIGHT SETTING WILL CAUSE DAMAGE TO CRIMP TOOLING.

**PACIFIC VERSION**  
Shown on sheets 3 of 4 & 4 of 4  
(Atlantic version shown on sheets 1 of 4 & 2 of 4)

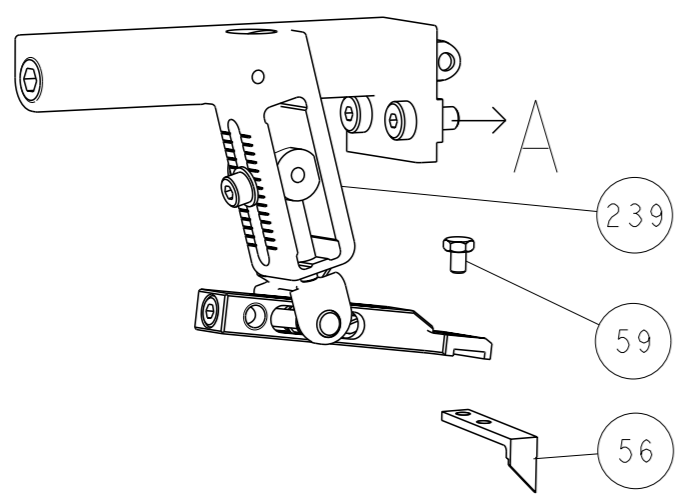
SET UP GAUGE	LOC	DIST	REVISIONS					
2119599-1	A	66	#	DATE	DESCRIPTION	DATE	OWN	APVD
			-		SEE SHEET 1			

-	1	1	1	1	2119782-1	FINE ADJUST HEAD ASM, PACIFIC STYLE	251
-	-	-	1	-	2119640-1	PUSH ROD, AIR FEED	250
-	-	-	1	-	2079988-1	BUSHING, LCH5-12, MISUMI	249
-	1	1	1	1	1-22279-3	SPRING, COMPRESSION	246
-	1	1	1	1	2119082-5	CAM, SNAIL, INSULATION ADJUSTMENT	244
-	1	1	1	1	2079764-1	WASHER, WAVE SPRING, CREST-TO-CREST	243
-	1	1	1	1	2119083-1	RETAINER, INSULATION DIAL	242
-	1	1	1	1	7-18023-7	SCR, SKT HD CAP M3 X 4.0	241
-	-	2	-	-	2168400-6	SHCS, LOW HEAD, RoHS, M5 X 16	240
-	-	-	-	1	2119580-1	MECHANICAL FEED ASSEMBLY	239
-	-	-	1	-	2063440-1	AIR FEED MODULE	238
-	-	1	-	-	2119740-2	TAG, IDENTIFICATION	213
-	-	1	-	-	1901094-3	SPACER, FEEDER	198
-	-	-	2	-	21045-3	RING, RETAIN, EXTERN, 3/16 CRESCENT	172
-	1	1	1	1	994969-1	MAGNET, RARE EARTH HIGH ENERGY	166
-	REF	REF	REF	REF	994970-2	COUNTER, MAGNETIC	164
-	-	-	1	-	240638-1	SPRING, FEED FINGER	163
-	1	1	1	1	8-21084-1	O-RING, .801 ID, .070 DIA. MAT.	152
-	-	-	1	-	2119641-2	FEED CAM, AIR FEED	151
-	1	1	1	1	2119798-2	DETENT PIN	145
-	1	1	1	1	2079383-8	SCR, BHSC, RoHS (M4 X 16)	144
-	4	4	4	4	2168400-5	SHCS, LOW HEAD, RoHS, M4 X 20	143
-	-	-	-	1	2119653-2	FEED CAM, POST FEED	142
-	1	1	1	1	1-2119656-0	APPLICATOR BASIC ASSEMBLY, SF	141
-	1	1	1	1	2119650-1	RAM, ASIAN STYLE, SIDE FEED	140
-	1	1	1	1	2119092-2	BOLT, ADJUSTMENT	139
-	-	-	1	-	3-23627-7	PIN, RETAIN, GRVD, 3/16 X .854	137
-	-	-	1	-	2119799-1	HOLDER, FEED FINGER, AF	136
-	-	REF	-	-	SEE NOTE 4	MEMORY CHIP, PROGRAMMED	135
-	-	1	-	-	1633743-1	SERVO FEED LATCH ASM	133
-	-	REF	-	-	2119944-1	FEED FINGER ASSEMBLY, SF	117
-	1	1	1	1	455888-5	SPACER, CRIMPER	82
-	1	1	1	1	2119956-1	DOCUMENTATION PACKAGE	71
-	1	1	1	1	2119791-5	DEPRESSOR, WIRE	70
-	1	-	1	1	2119740-1	TAG, IDENTIFICATION	67
-	2	2	2	2	2168078-1	SCREW, DRIVE, RH, RoHS, 2 x .188	66
-	1	1	1	1	2119793-1	LIMITER, ADJUSTMENT BOLT	63
-	3	3	3	3	992763-5	SCR, SET, SOC, CONE POINT, M3 X 4.0	62
-	-	-	1	1	5-18022-5	SCR, HEX HD CAP, M4 X 6.0	59
-	-	-	1	1	1338685-1	PAWL, FEED	56
-	2	2	2	2	2168083-8	SCR, SKT HD CAP, RoHS, M4 X 16	53
-	1	1	1	1	5018030-1	NUT, HEX, REG, RoHS, M3	52
-	1	1	1	1	811242-5	BUMPER, HOLD DOWN	51
-	1	1	1	1	690753-2	SPACER, TONKER	50
-	-	-	1	2	18023-9	SCR, SKT HD CAP M4 X 6.0	49
-	-	-	-	1	2119652-1	FEED CAM, PRE FEED	48
-	1	1	1	1	2079383-7	SCR, BHSC, RoHS (M8 X 25)	41
-	1	1	1	1	2119645-1	DISC, NUMBERED FA WIRE ADJUSTMENT	40
-	1	1	1	1	2119957-1	APPLICATOR SHIM PACK	39
-	1	1	1	1	1-2119644-4	RAM WASHER, PRECISION	38
-	1	1	1	1	1-1752356-8	SUPPORT, TERMINAL	34
-	2	2	2	2	2079383-5	SCR, BHSC, RoHS (M4 X 20)	33
-	1	1	1	1	2161328-1	HEX HEAD, FLANGED, M5 X 8mm LONG	32
-	1	1	1	1	1320908-3	SPACER, STRIP GUIDE	30
-	1	1	1	1	2119959-1	ASSEMBLY, STRIP GUIDE	29
-	1	1	1	1	1320928-2	STRIP GUIDE	24
-	1	1	1	1	2168083-2	SCR, SKT HD CAP, RoHS, M4 X 8.0	21
-	2	2	2	2	1-18028-2	WASHER, FLAT, REG M4	20
-	1	1	1	1	2119533-1	STRIPPER, SIDE FEED	19
-	1	1	1	1	2119806-1	INSERT, SHEAR	13
-	1	1	1	1	3-22280-3	SPRING, COMPRESSION	12
-	1	1	1	1	1-356885-4	STOP, SHEAR	11
-	1	1	1	1	2119805-1	SHEAR HOLDER, FRONT	10
-	1	1	1	1	1803095-3	FLOATING SHEAR, FRONT	9
-	1	1	1	1	5-1803171-1	ANVIL, COMBINATION	8
-	1	1	1	1	240641-5	SPACER	7
-	-	-	-	-	-	-	6
-	1	1	1	1	2119757-4	DEPRESSOR, SHEAR	5
-	1	1	1	1	2-238011-2	BLOCK, CRIMPER SPACER	4
-	1	1	1	1	5-1803018-8	CRIMPER, INSULATION O	3
-	1	1	1	1	455888-6	SPACER, CRIMPER	2
-	1	1	1	1	4-1633305-8	CRIMPER, WIRE PREMIUM	1

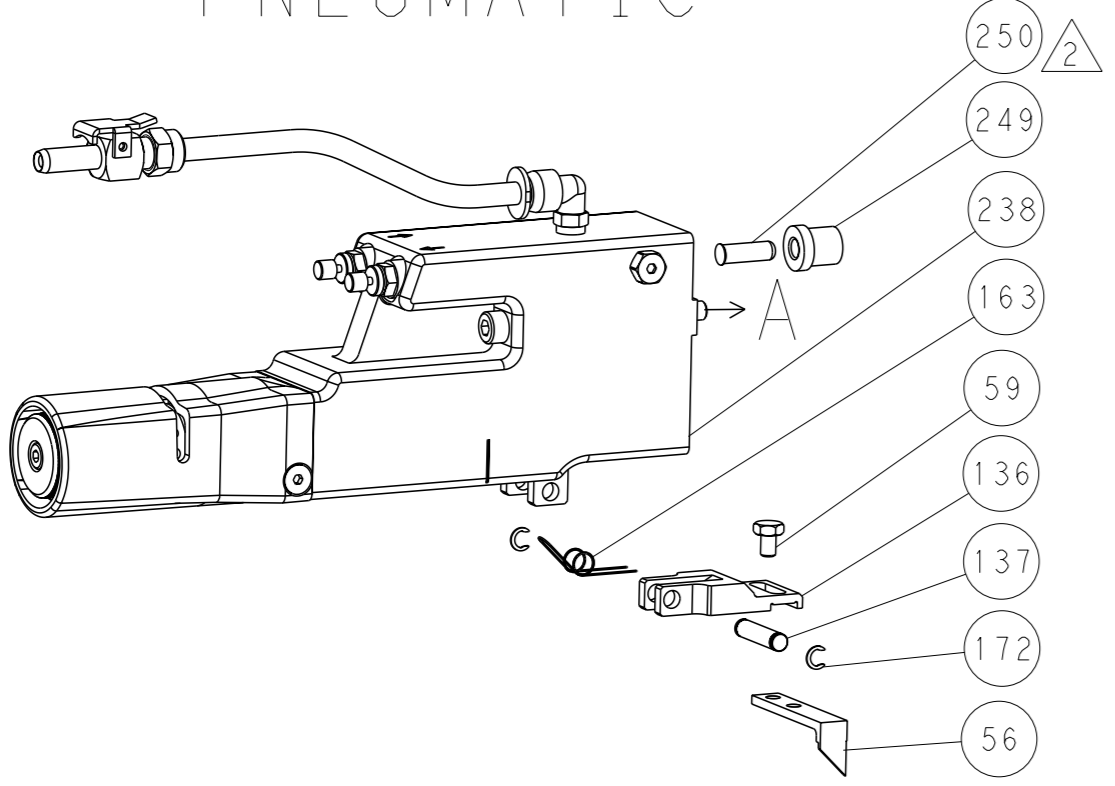
DIMENSIONS:	TOLERANCES UNLESS OTHERWISE SPECIFIED:	OWN	CHK	APVD	DATE	DESCRIPTION	ITEM NO
mm	0 PLC ±.5 1 PLC ±0.5 2 PLC ±0.13 3 PLC ±0.013 4 PLC ±0.001 ANGLES ±.5	HOFFNER	T. ELBIN	T. ELBIN	22 JUNE 2015 23 JUNE 2015 23 JUNE 2015	TE Connectivity Harrisburg, PA 17105-3608	
MATERIAL					WEIGHT	Customer Accessible Production Drawing	
SCALE					1:2	SHEET 3 of 4	REV A

LOC		DIST		REVISIONS			
A	66	P	LYR	DESCRIPTION	DATE	OWN	APVD
		-		SEE SHEET 1			

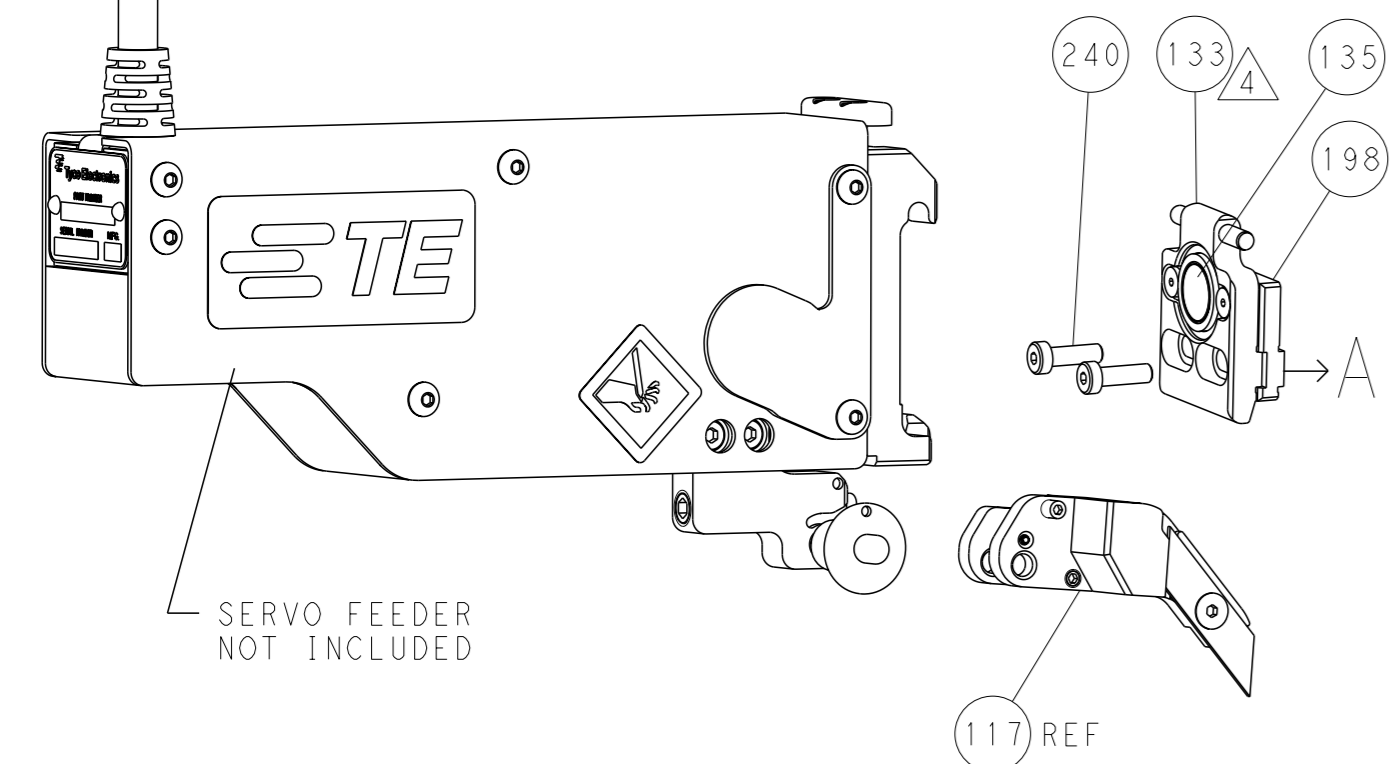
# FEED TYPE MECHANICAL



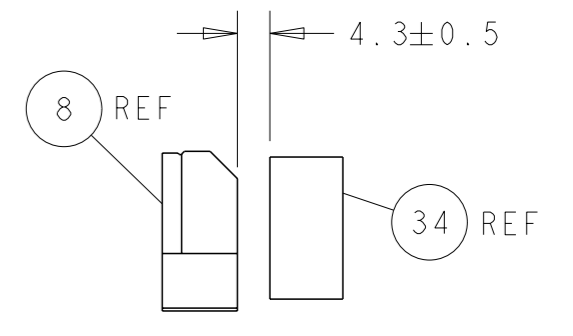
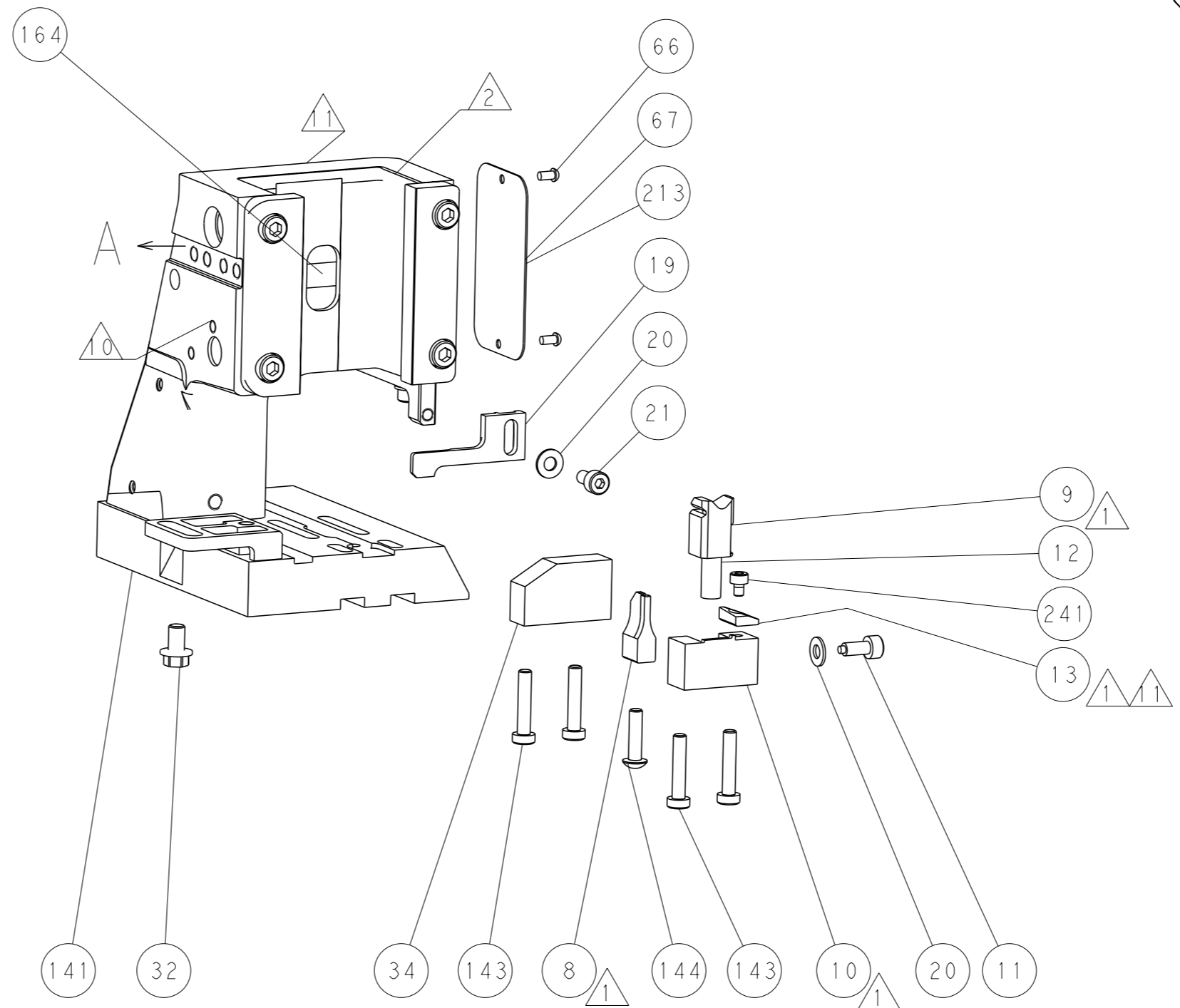
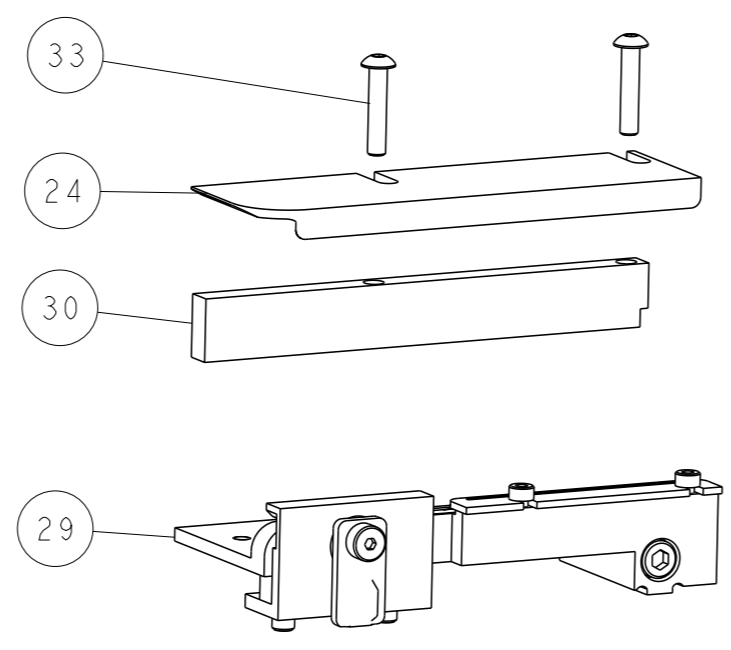
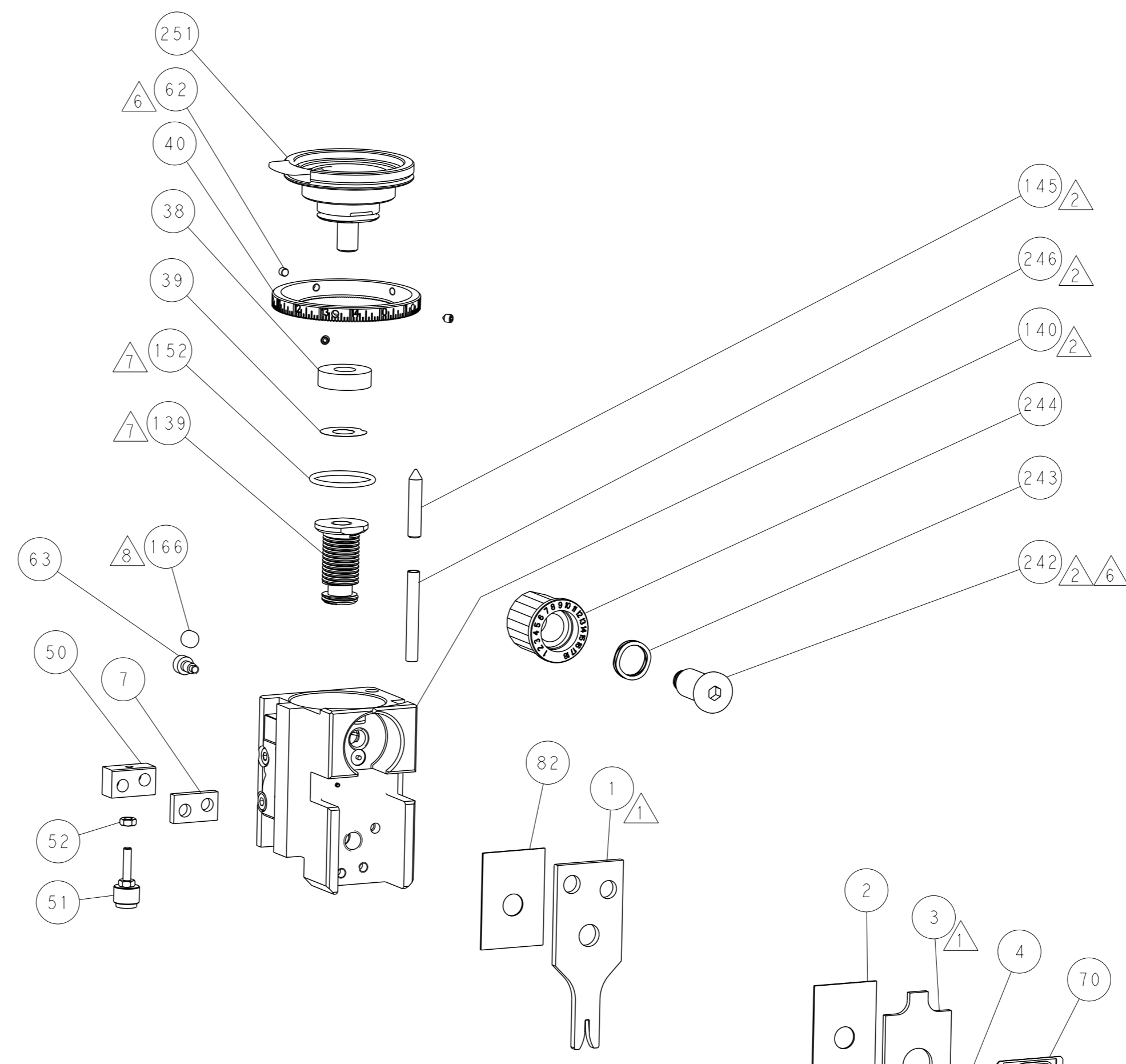
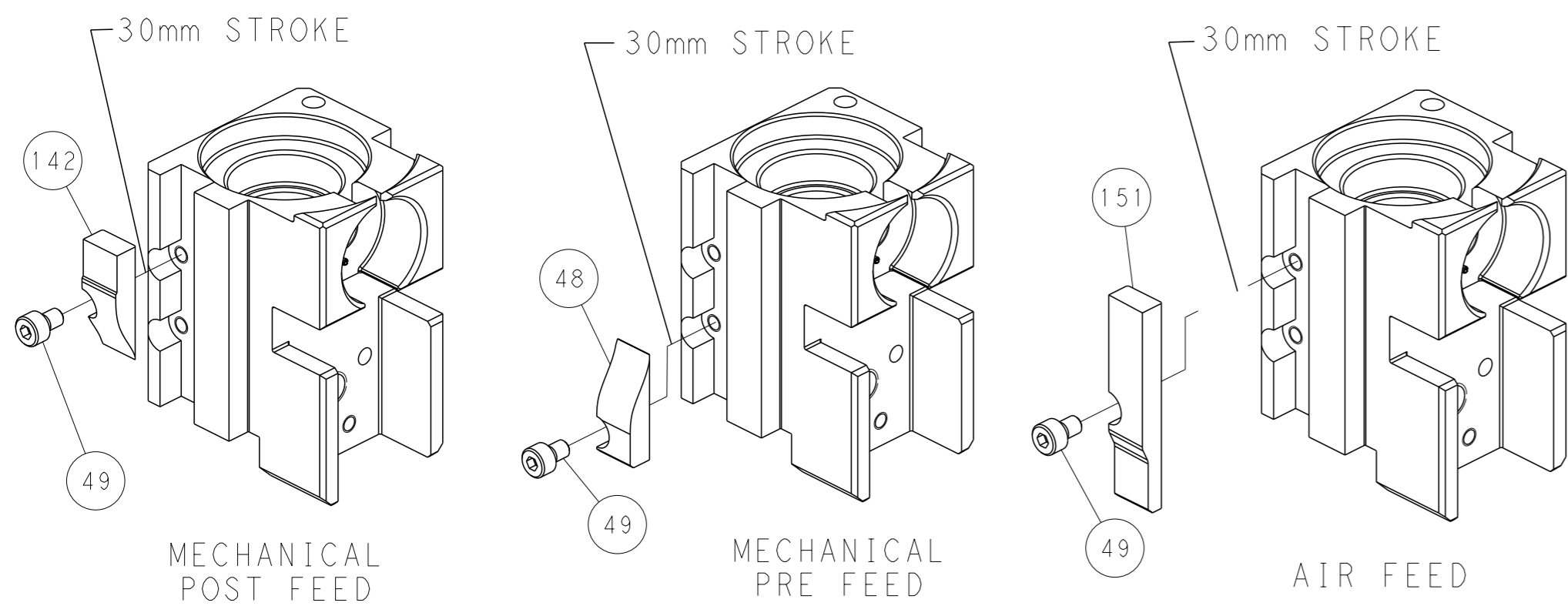
# PNEUMATIC



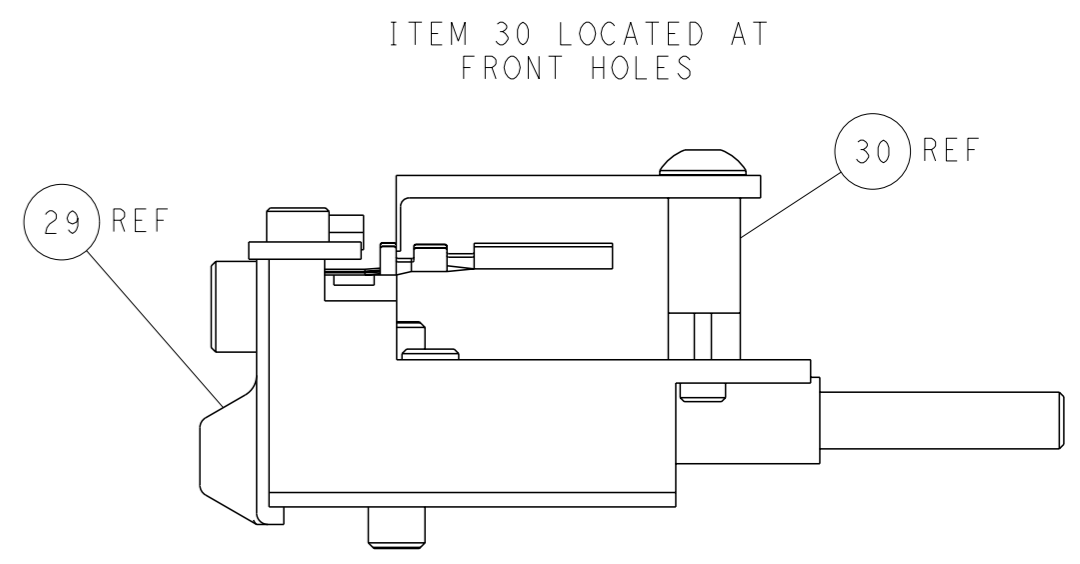
# SERVO LATCH PLATE



# CAM POSITIONS



TERMINAL SUPPORT LOCATION



FEED TRACK POSITION GUIDE BY INSULATION BARREL

**PACIFIC VERSION**  
 Shown on sheets 3 of 4 & 4 of 4  
 (Atlantic version shown on sheets 1 of 4 & 2 of 4)

<small>THIS DRAWING IS UNPUBLISHED. RELEASED FOR PUBLICATION. COPYRIGHT 20 BY TYCO ELECTRONICS CORPORATION. ALL RIGHTS RESERVED.</small>		DWN: HOFFNER 22JUNE2015 CHK: TELBIN 23JUNE2015 APVD: TELBIN 23JUNE2015	NAME: Ocean Side Feed Applicator SIZE: A1 CAGE CODE: 00779 DRAWING NO: C=2266826	RESTRICTED TO: - SCALE: 1:2 SHEET: 4 of 4 REV: A
DIMENSIONS: mm TOLERANCES UNLESS OTHERWISE SPECIFIED: 0 PLC ±.5 1 PLC ±0.5 2 PLC ±0.13 3 PLC ±0.013 4 PLC ±0.001 ANGLES FINISH: *	WEIGHT: - MATERIAL: -	APPLICATION SPEC: - CUSTOMER ACCESSIBLE PRODUCTION DRAWING: -	TE Connectivity Harrisburg, PA 17105-3608	