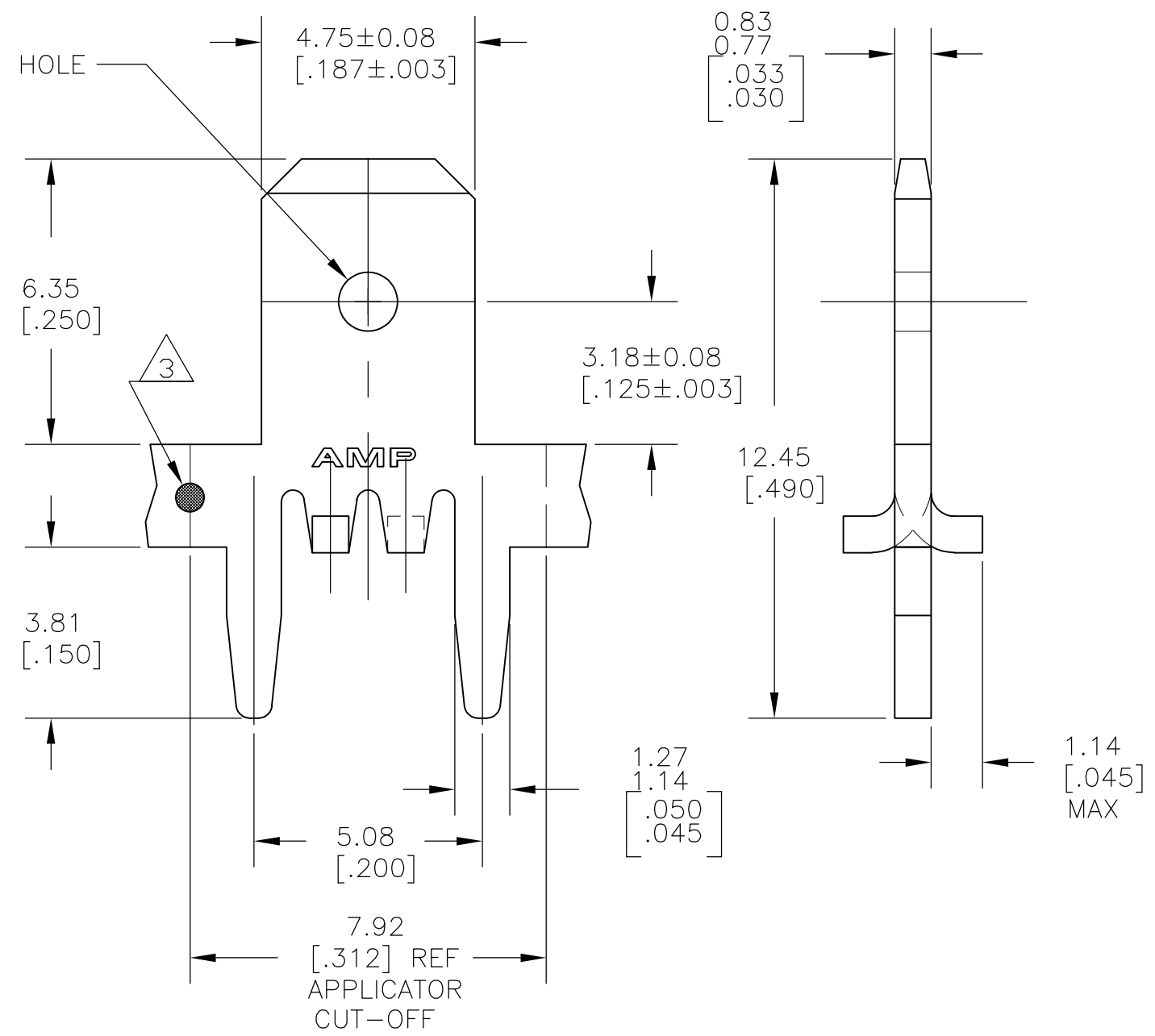
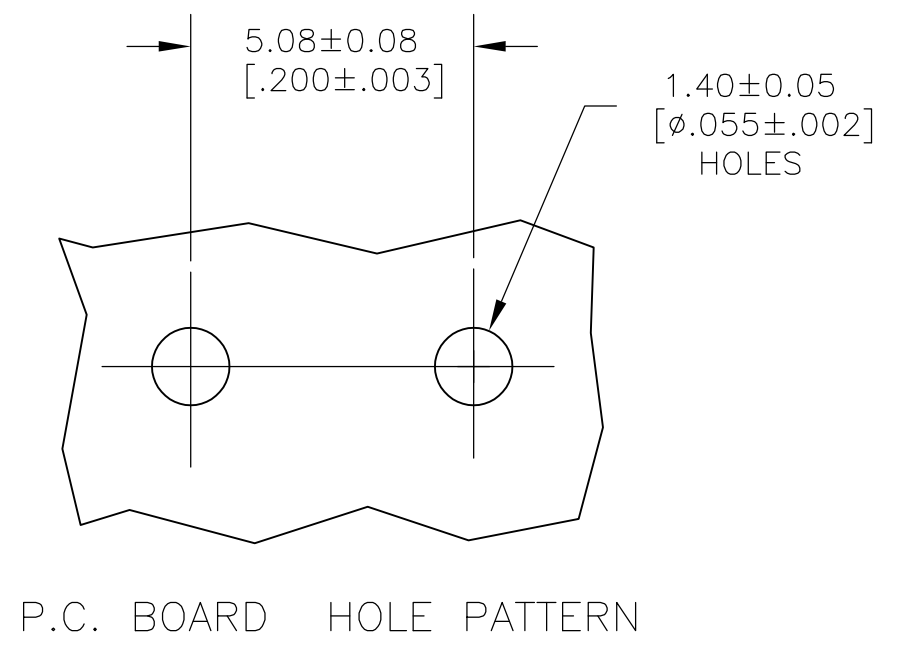


LOC	DIST	REVISIONS					
AF	50	P	LTR	DESCRIPTION	DATE	DWN	APVD
		F1		REV PER ECR-11-003939	22FEB11	JR	PD



- 1 CONTINUOUS STRIP ON REELS.
- 2 TIN PLATE 0.00381 [.000150] MIN OVER 0.00254 [.000100] MIN THK COPPER OR TIN PLATE 0.00381 [.000150] MIN OVER 0.00127 [.000050] MIN THK NICKEL.
- 3 OPTIONAL ID MARK, LOCATED APPROX AS SHOWN.



1217133-1
PART NO.

THIS DRAWING IS A CONTROLLED DOCUMENT.		DWN	JR RUTH	28MAR01	Tyco Electronics Corporation Harrisburg, PA 17105-3608	
DIMENSIONS: mm [INCHES]		CHK	MS FEHER	28MAR01		
TOLERANCES UNLESS OTHERWISE SPECIFIED:		APVD	N DEIBERT	28MAR01		
0 PLC ± - 1 PLC ± - 2 PLC ± 0.25 [.010] 3 PLC ± - 4 PLC ± - ANGLES ± -		PRODUCT SPEC	NAME			
MATERIAL	082 BRASS	FINISH	2		TAB, FASTON, P.C.BOARD	
		WEIGHT	-		4.75 [.187]	
		CUSTOMER DRAWING	SIZE	A3	CAGE CODE	00779
			DRAWING NO	C-1217133		RESTRICTED TO
			SCALE	8:1	SHEET	1 OF 1
			REV	F1		