

REVISIONS			
REV	DESCRIPTION, ECN, EAR NO.	DATE	APP'D
S	ELASTOMERIC GASKET OPTION ADDED	SEP 15/09	ZLJ
T	DETAIL H ADDED	JAN 14/10	ZLJ
AA	NO GASKET OPTION ADDED	JAN 30/13	ZLJ
AB	CORRECTED VIEW	MAY 17/13	ZLJ

FS1 - SF2 - 1XXX

MOUNTING SCREW OPTION

- 1 = 8 mm MOUNTING SCREW SHIPPED BULK IN SAME TRAYS WITH CAGE ASSEMBLIES
- 2 = NO MOUNTING SCREW SUPPLIED
- 3 = 10 mm MOUNTING SCREW WITH LOCK WASHER SHIPPED BULK IN SAME TRAYS WITH CAGE ASSEMBLIES

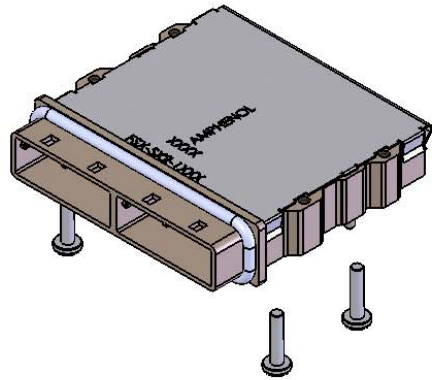
GASKET OPTION

- N = NO GASKET
- E = STAINLESS STEEL EMI GASKET
- F = FOAM, CHOMERICS SOFT SHIELD 4800, EMI GASKET
- C = CONDUCTIVE ELASTOMER, CHOMERICS C6305

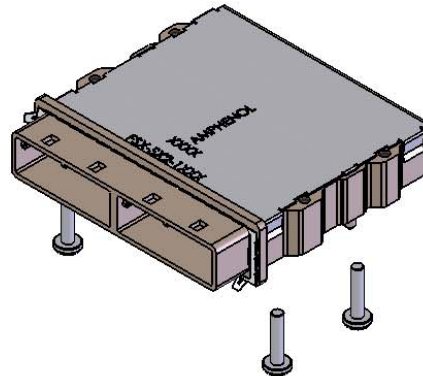
KEYING OPTION (SEE BELOW TABLE FOR FURTHER CLARIFICATION)

- 0 = NO KEY
- 1 = KEY #1 (IN ALL PORTS)
- 2 = KEY #2 (IN ALL PORTS)
- 4 = KEY #4 (IN ALL PORTS)
- 6 = KEY #6 (IN ALL PORTS)
- 7 = KEY #7 (IN ALL PORTS)
- D22 = KEY #2 AND #4 (IN ALL PORTS)
- D66 = KEY #4 AND #6 (IN ALL PORTS)
- D26 = KEY #2 AND #4 IN LEFT PORT / KEY #4 AND #6 IN RIGHT PORT
- D62 = KEY #4 AND #6 IN LEFT PORT / KEY #2 AND #4 IN RIGHT PORT

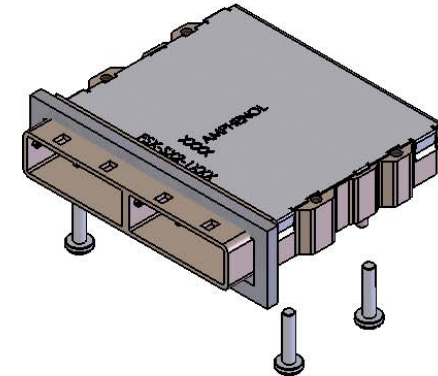
Left Key Option	Right Key Option	Part Number	Description
0	0	FS1-SF2-10XX	No Key
1	1	FS1-SF2-11XX	SATA 'X' Cable
4	4	FS1-SF2-14XX	SAS Universal Port
7	7	FS1-SF2-17XX	SATA 'M' Cable
2, 4	2, 4	FS1-SF2-1D22XX	SAS Out Port
4, 6	4, 6	FS1-SF2-1D66XX	SAS In Port
2, 4	4, 6	FS1-SF2-1D26XX	SAS Out/In Port
4, 6	2, 4	FS1-SF2-1D62XX	SAS In/Out Port



PART NUMBER: **FS1-SF2-14C1** SHOWN
(CAGE ASSEMBLY WITH ELASTOMERIC GASKET AND 8mm MOUNTING SCREWS SHIPPED BULK)



PART NUMBER: **FS1-SF2-14E1** SHOWN
(CAGE ASSEMBLY WITH STAINLESS STEEL GASKET AND 8mm MOUNTING SCREWS SHIPPED BULK)



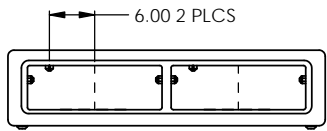
PART NUMBER: **FS1-SF2-14F1** SHOWN
(CAGE ASSEMBLY WITH FOAM GASKET AND 8mm MOUNTING SCREWS SHIPPED BULK)

UNLESS SPECIFIED OTHERWISE	DRAWN	ZLJ	LAN 06/09
PRIMARY UNITS MILLIMETERS	CHECKED	ZLJ	JAN 06/09
SECONDARY MILLIMETERS	M.E. APP'D		
REFERENCE IN PARENTHESES	Q.A. APP'D		
GENERAL TOLERANCES	DWG APPR.		
1 DECIMAL PLACE	±0.30		
2 DECIMAL PLACES	±0.20		
3 DECIMAL PLACES	±0.10		
ANGULAR DEGREES	±1.0°		
	THIRD ANGLE PROJECTION		DO NOT SCALE DRAWING

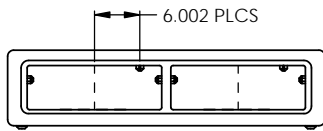
Amphenol High Speed Interconnects
A Division of Amphenol Corp. www.amphenol-highspeed.com

MINI SAS "0" DEGREE
2 PORT CAGE

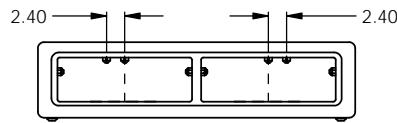
DWG. NO.	P-FS1-SF2-1XXX	REV	AB
CODE ID NO. 03554	DWG SIZE: C	SCALE: NTS	SHEET 1 OF 2



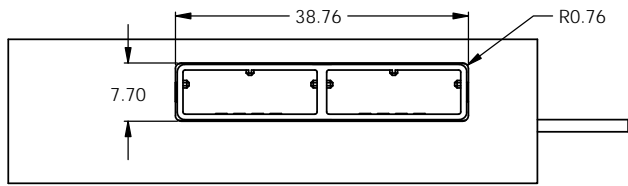
KEY #1-1



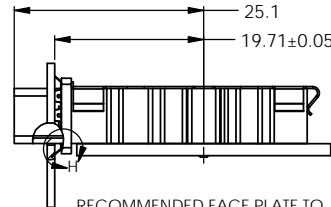
KEY #7-7



KEY #2, 4 - 4, 6

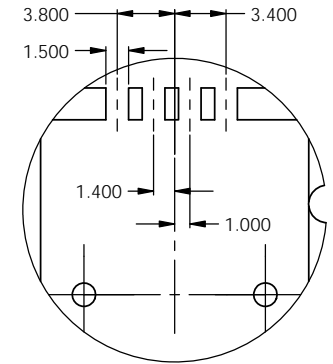


RECOMMENDED PANEL CUT-OUT

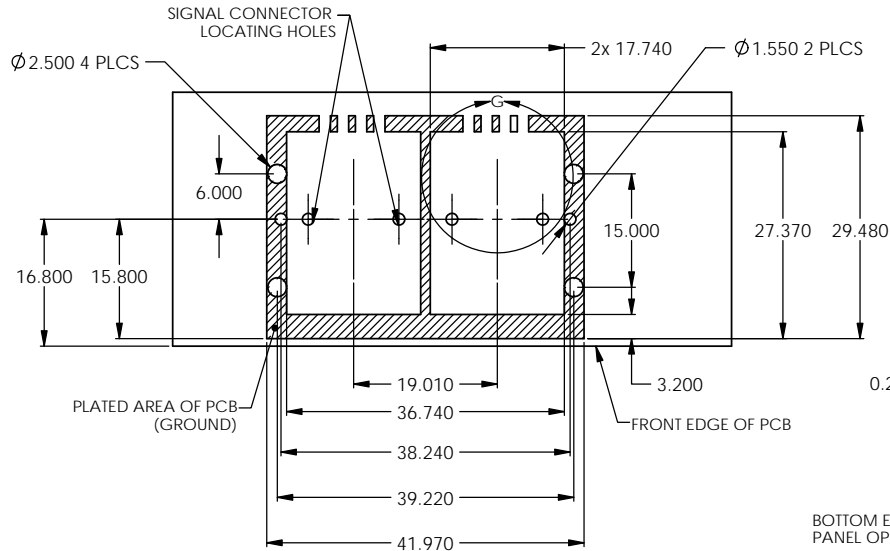
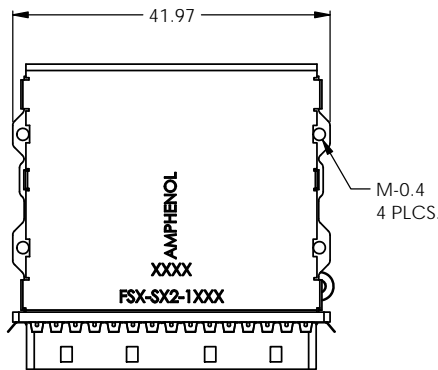


RECOMMENDED FACE PLATE TO LOCATING POST DISTANCE

REVISIONS			
REV	DESCRIPTION, ECN, EAR NO.	DATE	APP'D
S	ELASTOMERIC GASKET OPTION ADDED	SEP 15/09	ZLJ
T	DETAIL H ADDED	JAN 14/10	ZLJ
AA	NO GASKET OPTION ADDED	JAN 30/13	ZLJ
AB	CORRECTED VIEW	MAY 17/13	ZLJ



DETAIL G
SCALE 4 : 1

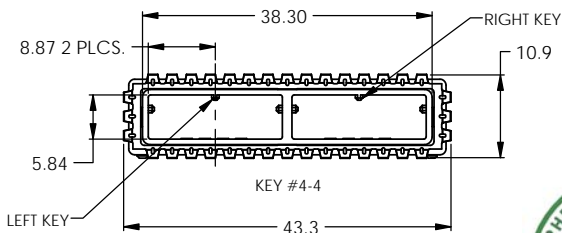


BOTTOM EDGE OF PANEL OPENING
PCB

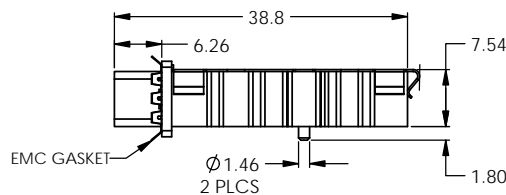
NOTES:

DETAIL H
SCALE 16 : 1

- MATERIAL:
MAIN CAGE: ZINC DIECAST SHELL WITH 150 MICROINCHES OF NICKEL PLATING
EMC GASKET: SEE SHEET 1
COVER: STAINLESS STEEL
MOUNTING SCREW: AISI 1010 STEEL
- ROHS COMPLIANT



KEY #4-4



EMC GASKET



UNLESS SPECIFIED OTHERWISE	DRAWN	ZLJ	LAN 06/09
PRIMARY UNITS MILLIMETERS	CHECKED	ZLJ	JAN 06/09
SECONDARY MILLIMETERS	M.E. APP'D		
REFERENCE IN PARENTHESES	Q.A. APP'D		
GENERAL TOLERANCES	DWG APPR.		
1 DECIMAL PLACE ±0.30	ENG. REL. NO.		
2 DECIMAL PLACES ±0.20	REF.		
3 DECIMAL PLACES ±0.10	THIRD ANGLE PROJECTION		
ANGULAR DEGREES ±1.0°	DO NOT SCALE DRAWING		

Amphenol High Speed Interconnects
A Division of Amphenol Corp. www.amphenol-highspeed.com

MINI SAS "0" DEGREE
2 PORT CAGE

DWG. NO.	REV
P-FS1-SF2-1XXX	AB
CODE ID NO. 03554	DWG. SIZE: C
SCALE: NTS	SHEET 2 OF 2