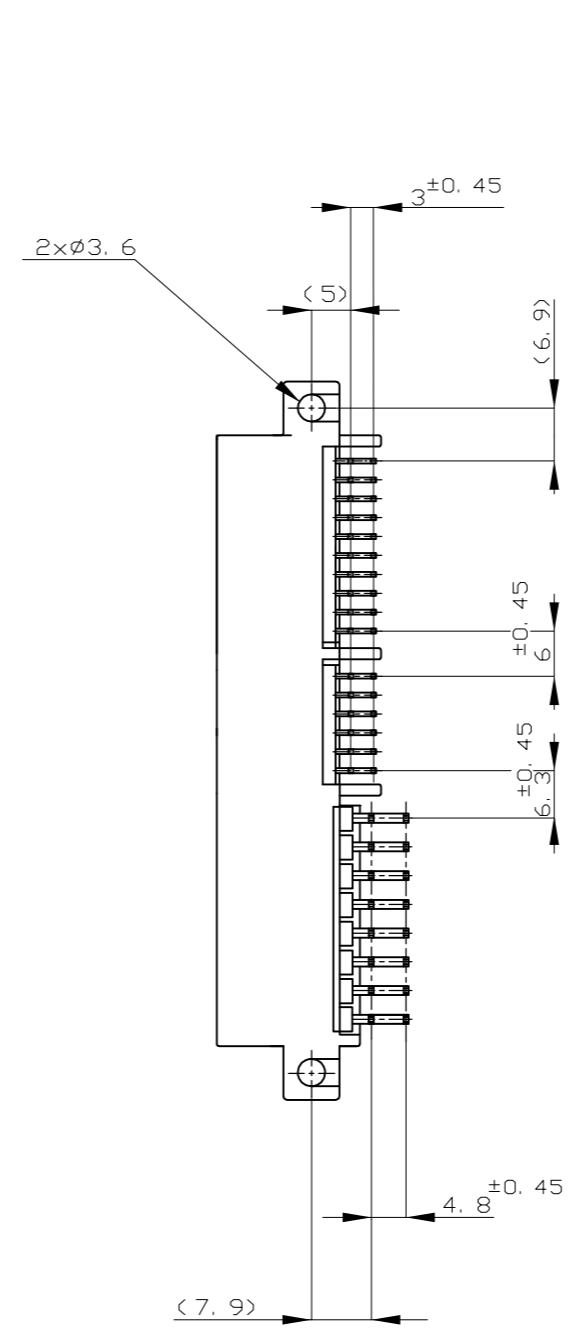
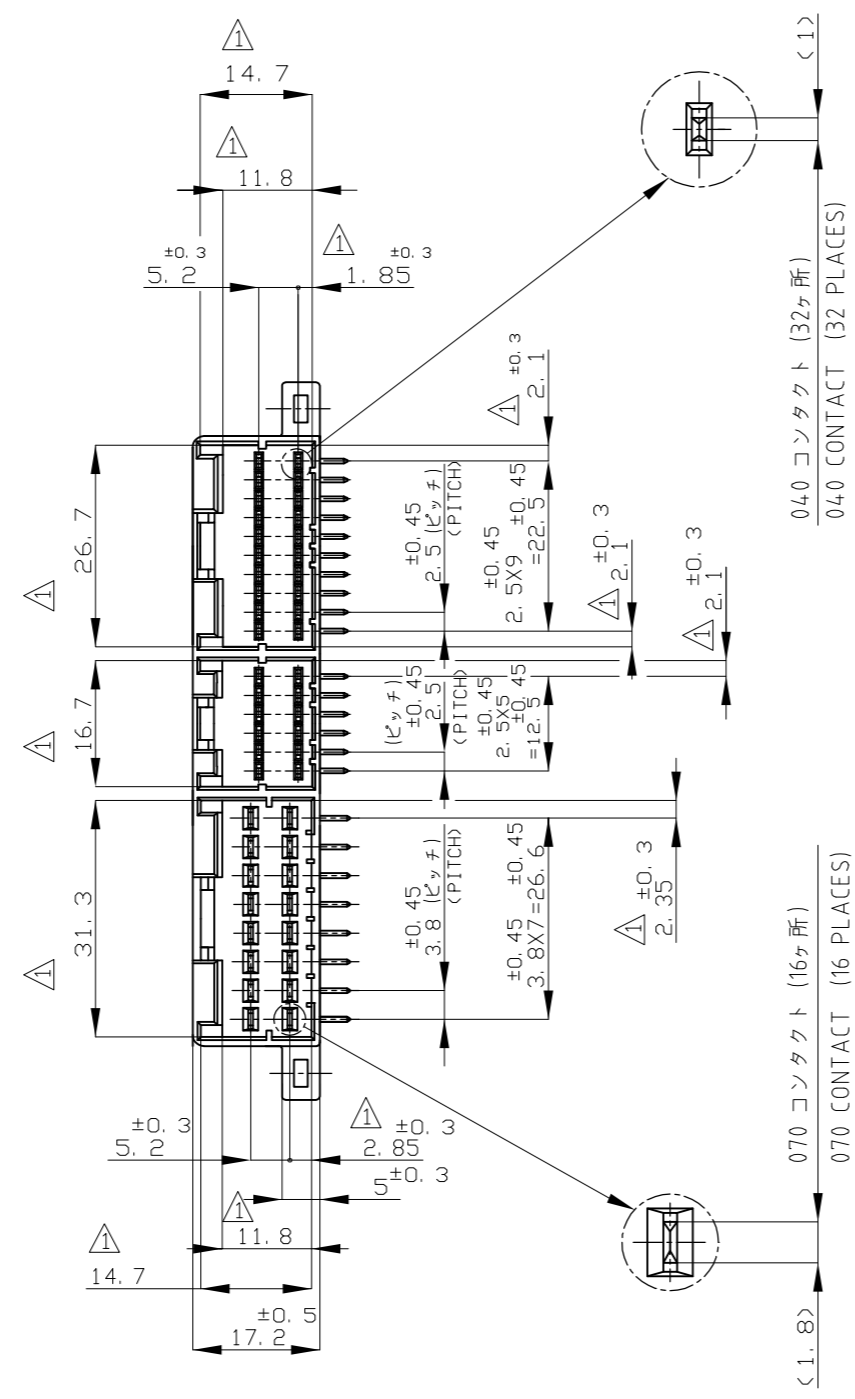
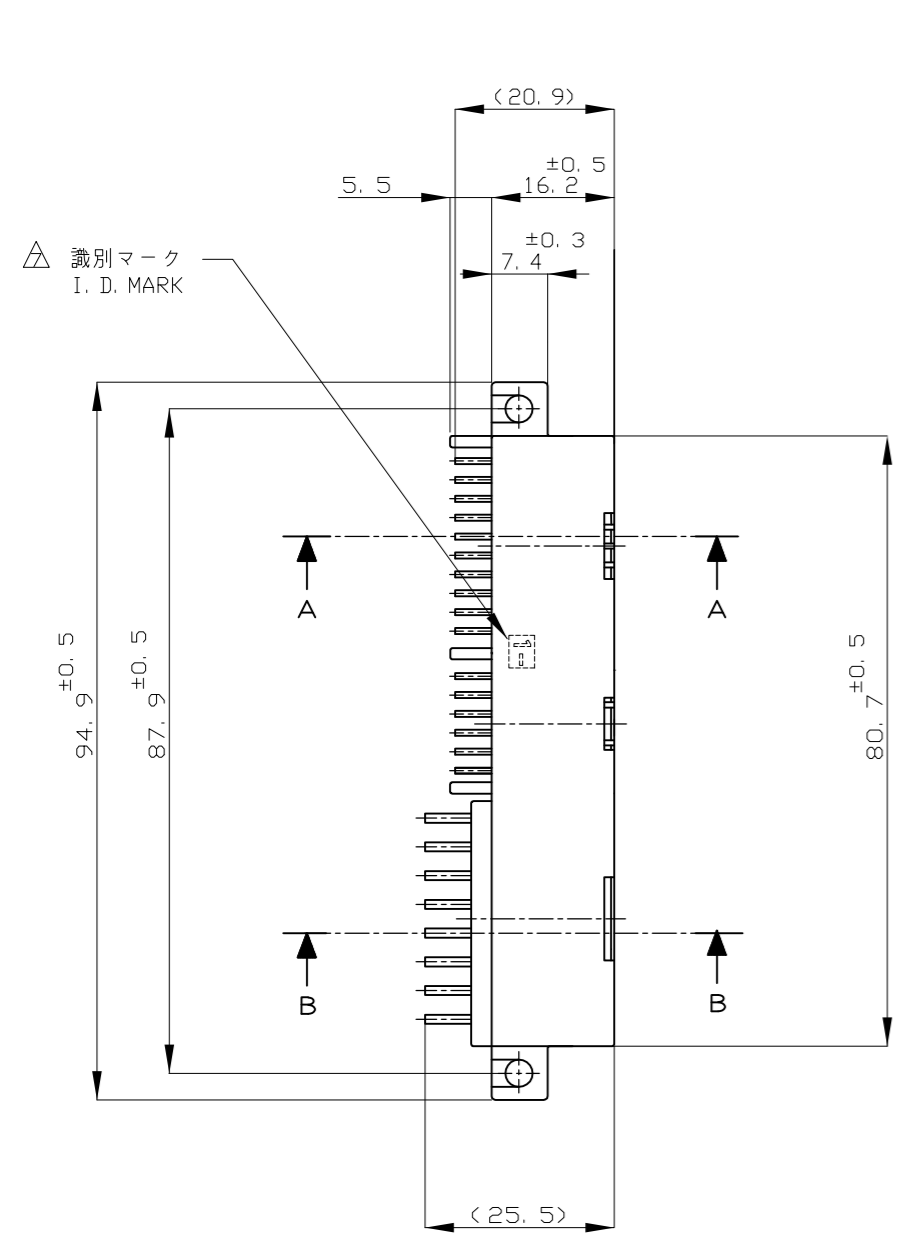
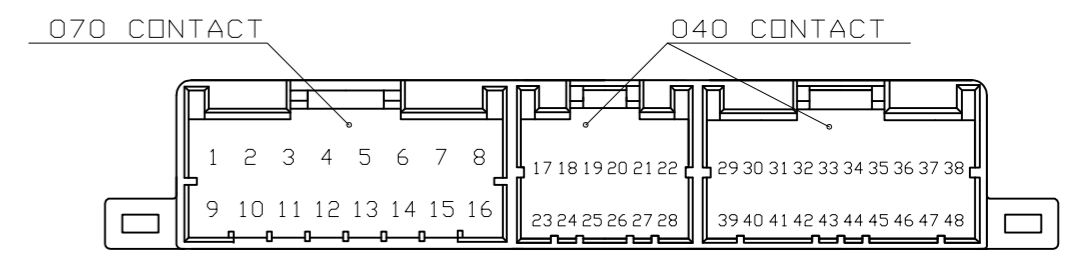


THIS DRAWING IS UNPUBLISHED. RELEASED FOR PUBLICATION  
 © COPYRIGHT 2016 By Tyco Electronics Japan G.K. ALL RIGHTS RESERVED.

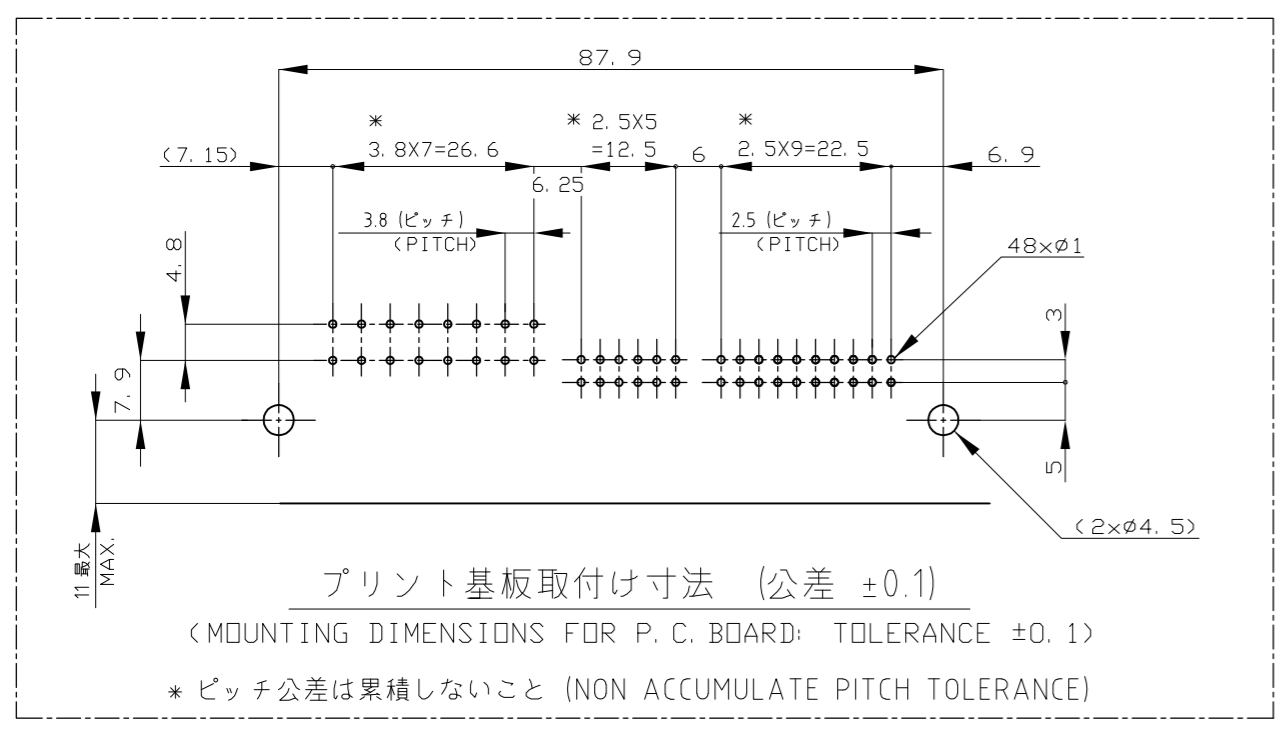
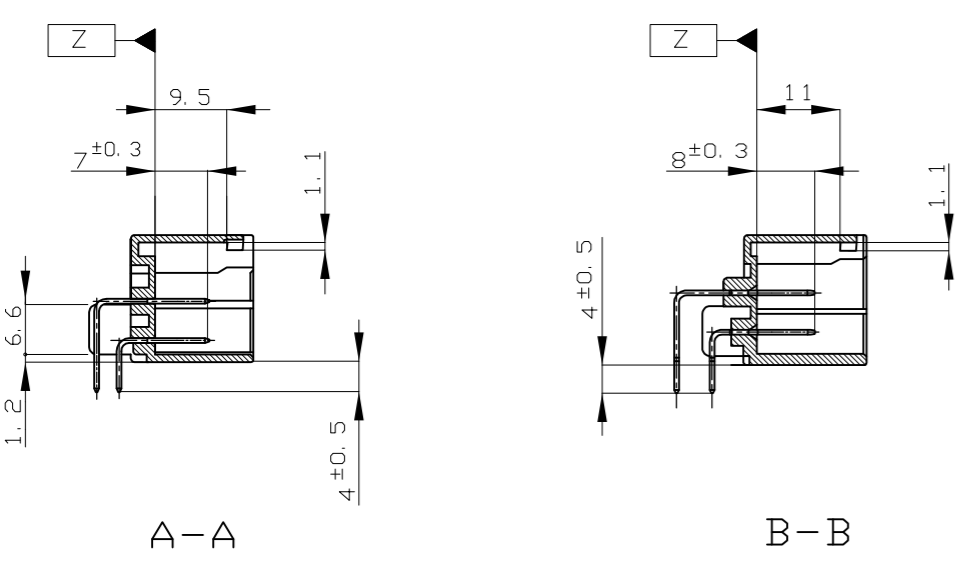
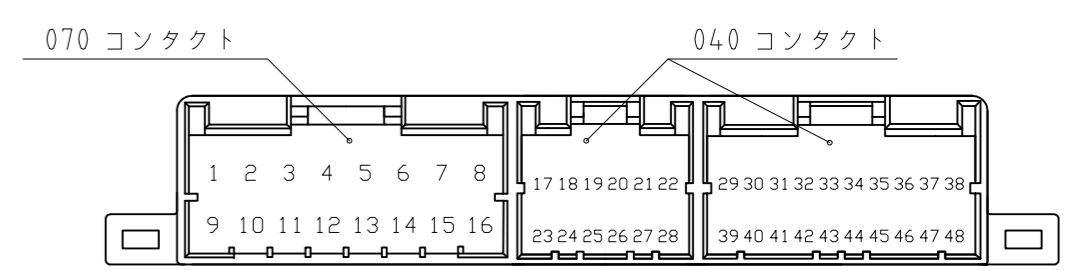
REVISIONS					
P	LTR	DESCRIPTION	DATE	DWN	APVD
L7		OBSELETE -2,1--2	ECR-16-003093	17AUG16	KF HY



- △ TO BE MEASURED WITHIN 2mm FROM [Z]
- 2. APPLICABLE P.C. BOARD THICKNESS: 1.6mm
- 3. THE MATING PLUG HOUSING PART NUMBER: 174045, 174047, 174147
- 4. RECOMMENDED MOUNTING SCREW: 4mmDIA, 7mmLENGTH (MIN.)  
PAN HEAD, CLASS 2 TAPPING SCREW SPECIFIED IN JIS B1115, B1122 (TIGHTENING TORQUE: 0.58N·m MAX.)
- △ FINISH OF CONTACT: PRE-TINNED OR SELECTIVE GOLD PLATING  
(FOR THE CIRCUIT NO. OF GOLD PLATING CONTACT, SEE THE TABLE)
- △ CIRCUIT NO.



- △ [Z] 面より2mmの範囲で測定
- 2. 適用プリント基板厚: 1.6mm
- 3. 嵌合相手ハウジング型番: 174045, 174047, 174147
- 4. 推奨取付けねじ: JIS B1115, B1122 タッピングねじ、なべ2種  
呼び径4, 長さ7mm以上(締め付けトルク: 0.58N·m以下)
- △ コンタクトの仕上げ: 錫めっき済、又は接触部分金めっき  
(金めっきコンタクトの位置は表参照)
- △ 回路番号



PACKING STYLE 梱包形態	MARKING マーキング	CONTACT FINISH コンタクト仕上		PRE-TIN CIRCUIT NO. 錫めっき回路番号	GOLD PLATED CIRCUIT NO. △金めっき回路番号	COLOR 色	PART NUMBER 製品型番
		OUTER 外装	INNER 内装				
PAPER BOX	PAPER TUBE	51-	PRE-TIN X 32 SELECTIVE-TIN (MATTE) SELECTIVE GOLD X 16	1~22, 29~38	23~28, 39~48	BLACK 黒色	1-5174149-2
	PAPER TUBE	-	PRE-TIN X 16 SELECTIVE-TIN (MATTE) SELECTIVE GOLD X 32	1~16	17~48	BLACK 黒色	5174149-2
	PAPER TUBE	③	PRE-TIN X 24	1~16, 29~32, 39~42	-	BLACK 黒色	3-174149-2
	PAPER TUBE	2-	PRE-TIN X 48	1~48	-	BLACK 黒色	2-174149-2
	PLASTIC TRAY	4-	SELECTIVE-TIN (MATTE) SELECTIVE -TIN (BRIGHT)	-	-	BLACK 黒色	174149-3
	PAPER TUBE	4-	SELECTIVE-TIN (MATTE) SELECTIVE -TIN (BRIGHT)	-	-	BLACK 黒色	174149-1

THIS DRAWING IS A CONTROLLED DOCUMENT.		DWN S.SUGAWARA 07SEP06		48POSITION CAP ASSY (HORIZONTAL TYPE)		
DIMENSIONS: 単位: 寸 mm		CHK T.SHINOHARA 07SEP06		040/070 COMBI. TYPE MULTI-LOCK I/O CONN.		
TOLERANCES UNLESS OTHERWISE SPECIFIED: 一般公差		APVD K.BETSUI 07SEP06		SIZE A2	CAGE CODE 00779	DRAWING NO. C=174149
0 <= x <= 10 : ±0.2 10 <= x <= 30 : ±0.25 30 <= x <= 100 : ±0.3 ANGLE : ±3°		PRODUCT SPEC 製品規格 108-5244 APPLICATION SPEC 取付適用規格		WEIGHT 17.8 g	SCALE 1:1	SHEET 1 of 1
MATERIAL 材料 HOUSING : PBT CONTACT : BRASS		FINISH 仕上 △	CUSTOMER DRAWING	RESTRICTED TO	REV L7	