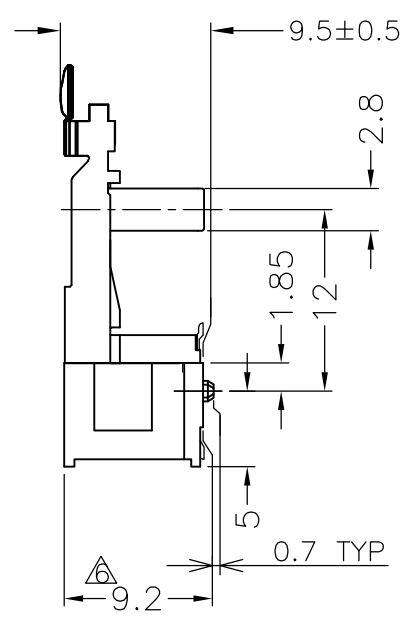
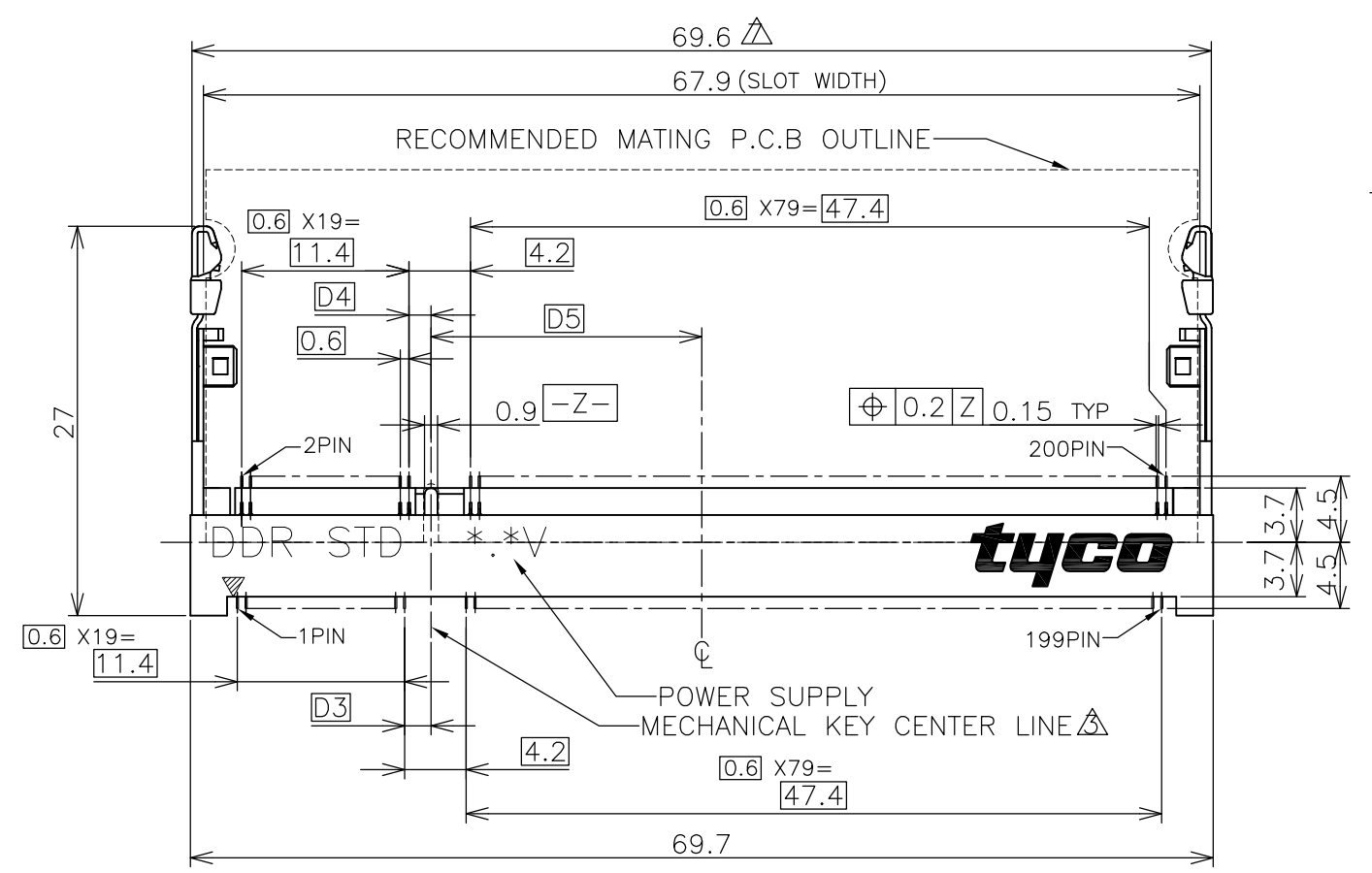
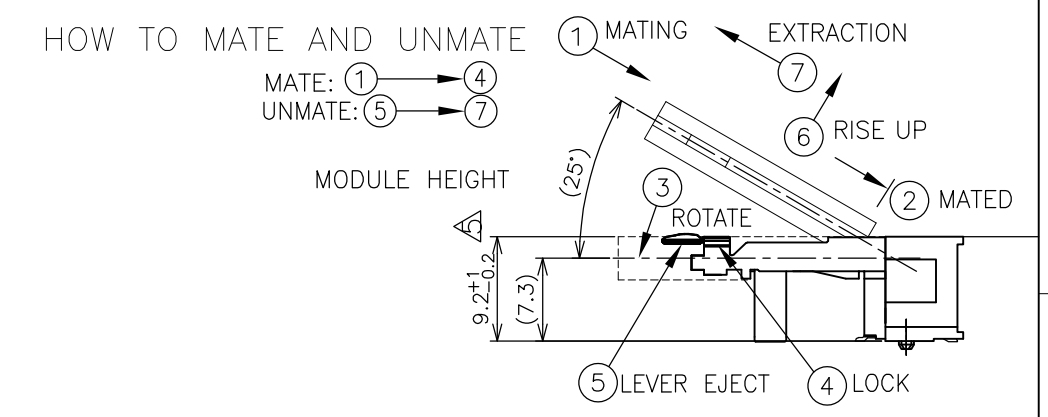
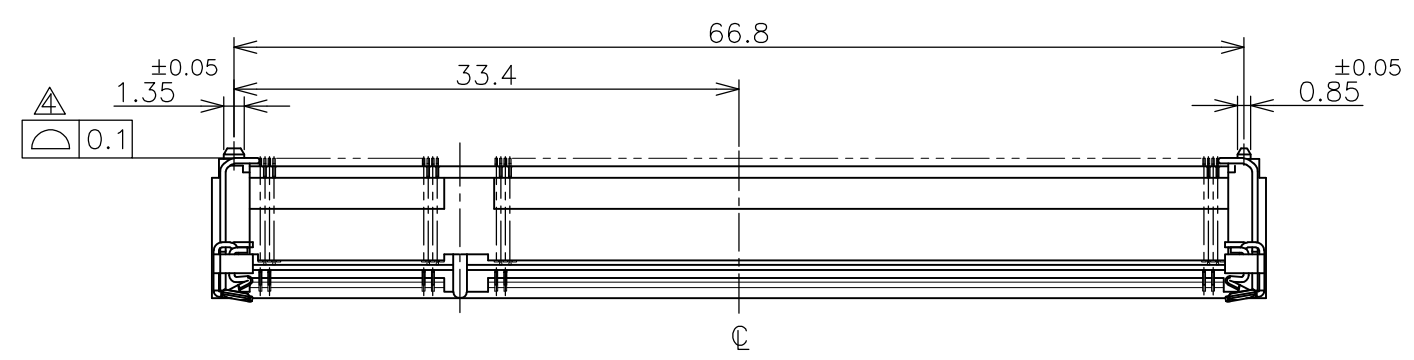


THIS DRAWING IS UNPUBLISHED. RELEASED FOR PUBLICATION MAR ,2007.
 © COPYRIGHT 2007 By - ALL RIGHTS RESERVED.

LOC	DIST	REVISIONS			
P	LTR	DESCRIPTION	DATE	DWN	APVD
J		B1	REVISED PER ECO-11-005030	11MAR11	RK HMR



- (APPLIED TO SHEET 1-2)
- MATERIAL ; HOUSING: HIGH TEMPERATURE THERMO PLASTIC UL94V-0
CONTACT: COPPER ARROY
LOCK LEVER: STAINLESS STEEL
 - FINISH ; CONTACT AREA: GOLD PLATING ON ALL OVER NICKEL.
SOLDERING AREA: GOLD FLASH PLT.
LOCK LEVER: TIN PLATING.
- MECHANICAL KEY POSITION OF CONNECTOR SEE TABLE.
 - COPLANARITY : 0.1 MAX.
 - THE FLOATING VALUE BY SOLDERING IS NOT INCLUDED.
 - NOT MATING CONDITION.
 - IN CASE OF MODULE BOARD LOCK AND EJECT, LATCH MAXIMUM WIDTH: 75mm.
 - TOLERANCES NON-CUMULATIVE.
 - CARD GUIDE AND STRUT COMPONENT KEEP-OUT ZONE.
 - INSIDE MUST BE RESIST COAT EXCEPT SOLDER PATTERN.

GENERAL TOLERANCE
 10 ≥ : ±0.2
 30 ≥ > 10: ±0.3
 100 ≥ > 30: ±0.5
 ANGLES: ±3'

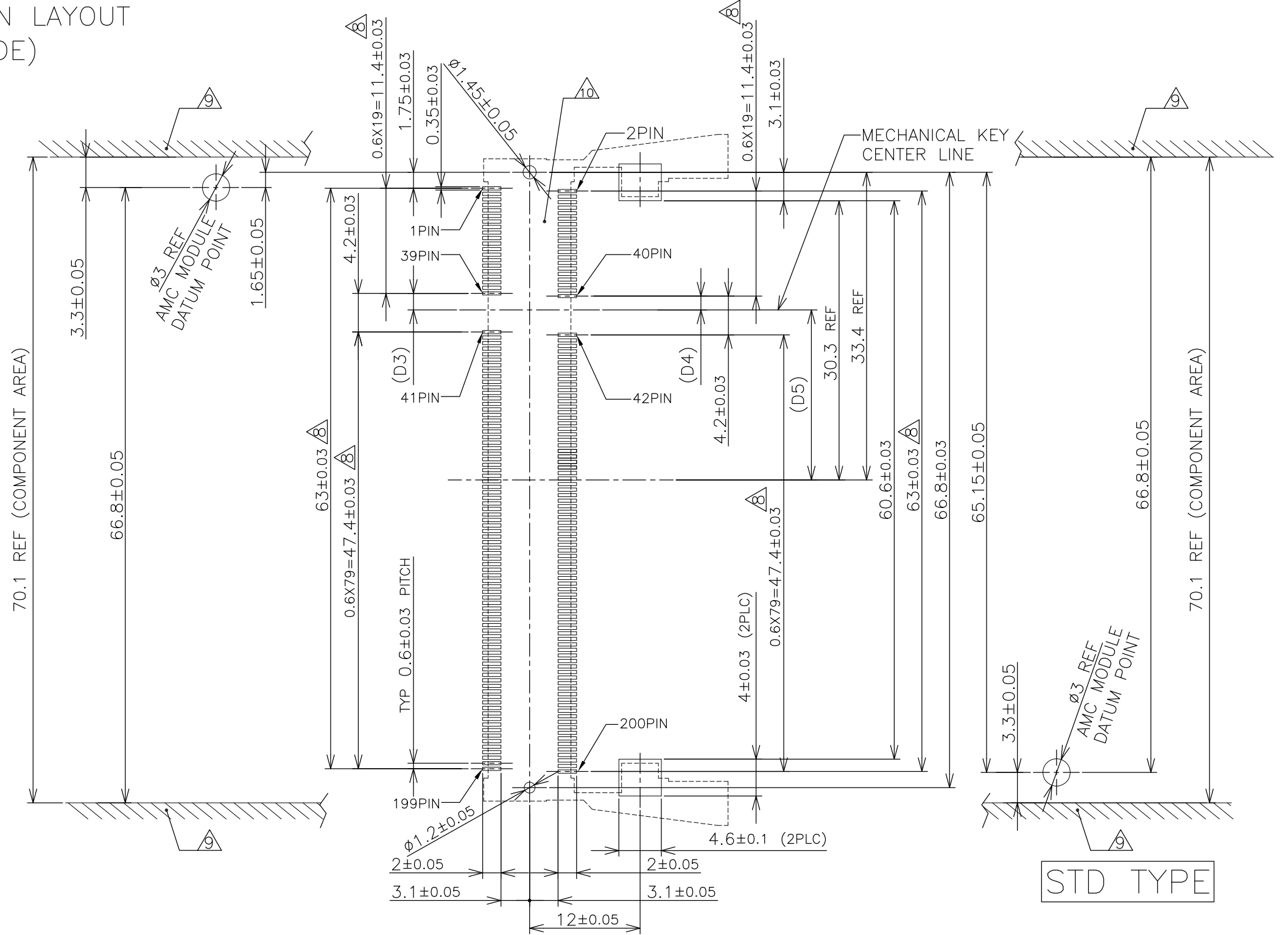
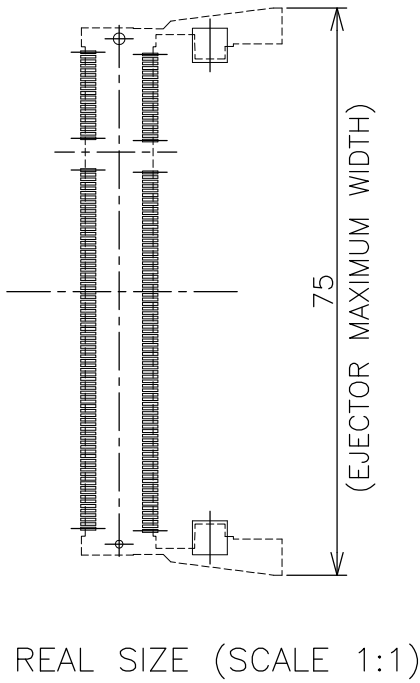
THIS DRAWING IS A CONTROLLED DOCUMENT.

DIMENSIONS: MM	TOLERANCES UNLESS OTHERWISE SPECIFIED: 0 PLC ± - 1 PLC ± - 2 PLC ± - 3 PLC ± - 4 PLC ± - ANGLES ± - FINISH
MATERIAL	

1.8V (DDR2)	17.55	2.4	2.7	200	1981284-4
POWER SUPPLY (TYPE)	D5	D4	D3	POS	PART NO.
DWN LEO ZHOU 07MAR07	TE Connectivity DDR SODIMM SOCKET 0.6mm PITCH 200POS 9.2H STD TYPE TO FIT AMC APPLICATIONS				
CHK T.FUMIKURA 07MAR07					
APVD K.IKEGAMI 07MAR07					
PRODUCT SPEC 108-5701					
APPLICATION SPEC	SIZE	CAGE CODE	DRAWING NO	RESTRICTED TO	
WEIGHT 8.3g	A3	00779	C-1981284	-	
CUSTOMER DRAWING			SCALE 2:1	SHEET 1 OF 4	REV B1

LOC	DIST	REVISIONS			
P	LTR	DESCRIPTION	DATE	DWN	APVD
J		SEE SHEET 1	-	-	-

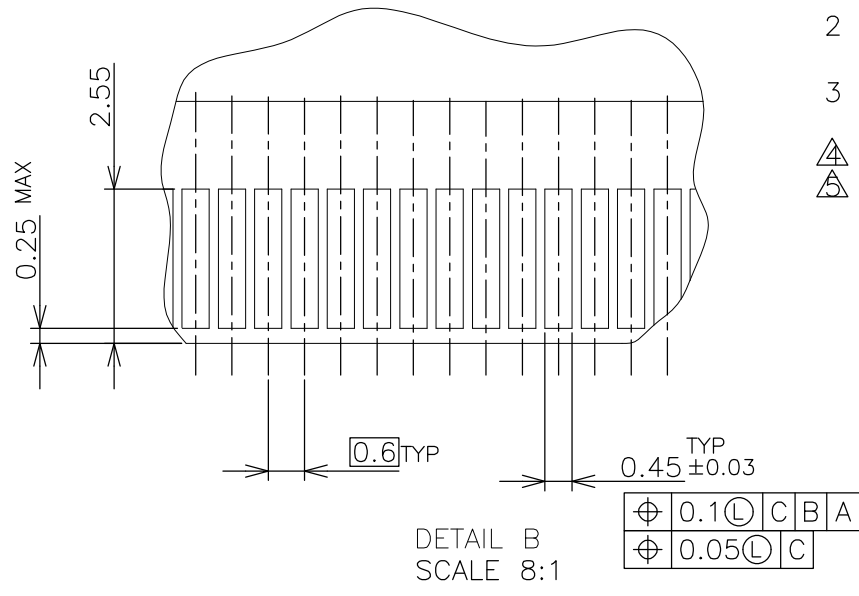
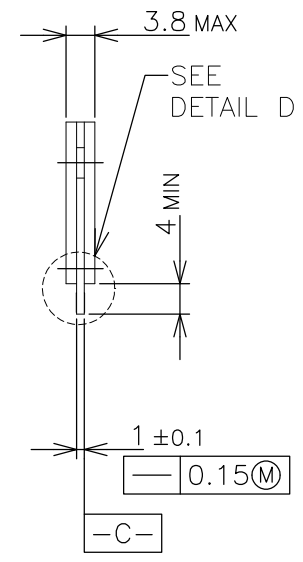
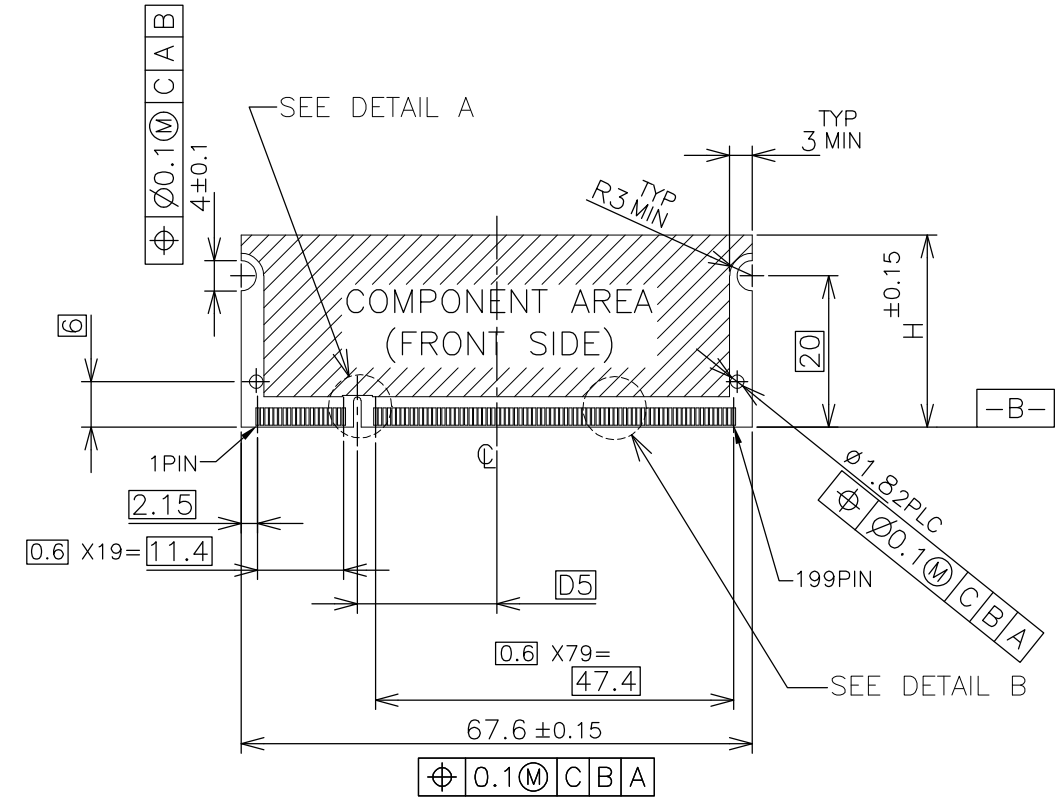
REFERENCE P.C. BOARD PATTERN LAYOUT (CONNECTOR MOUNTING SIDE)



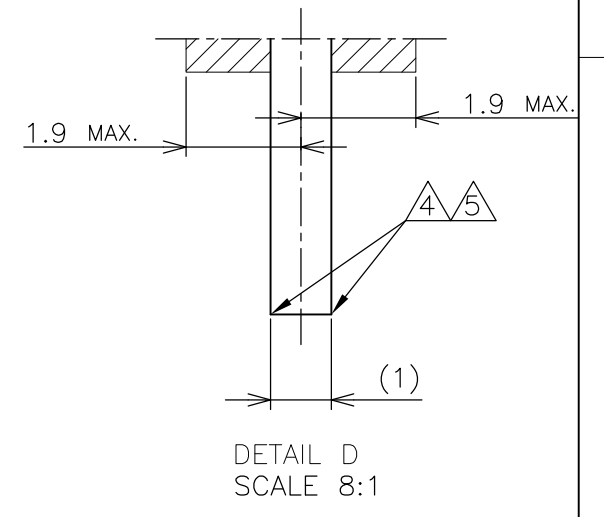
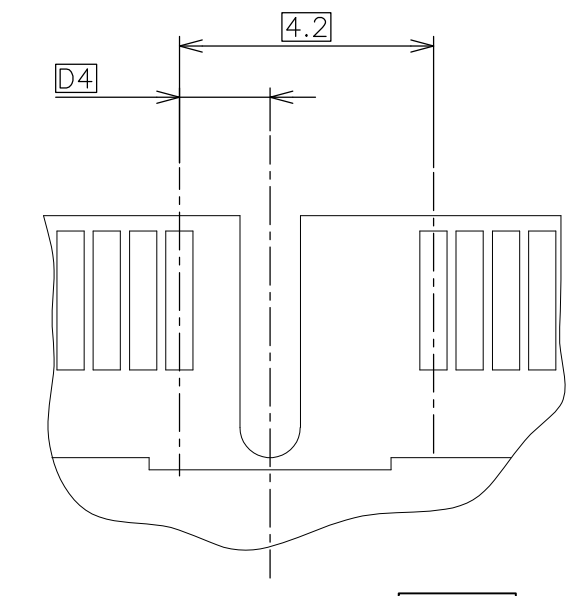
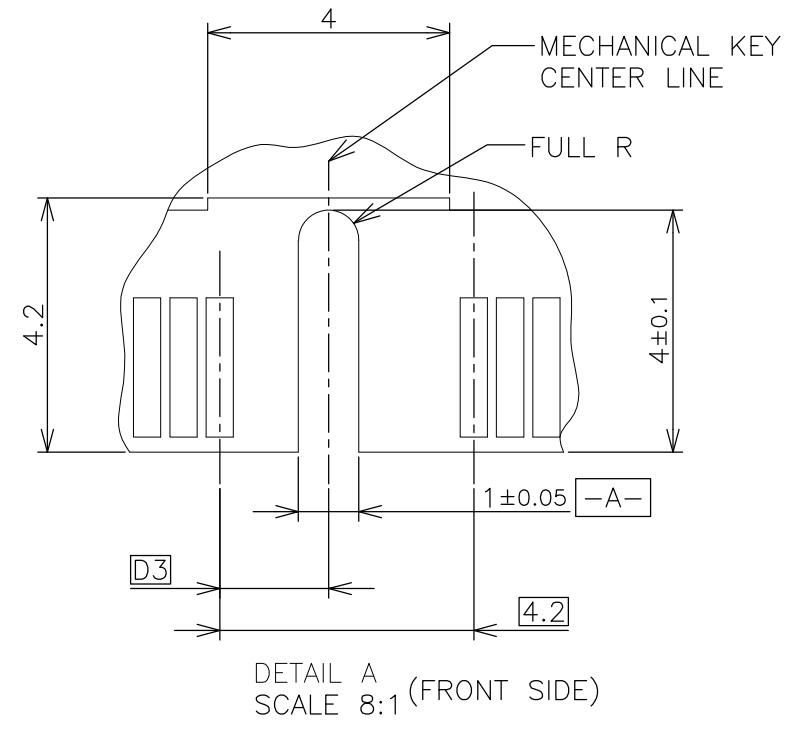
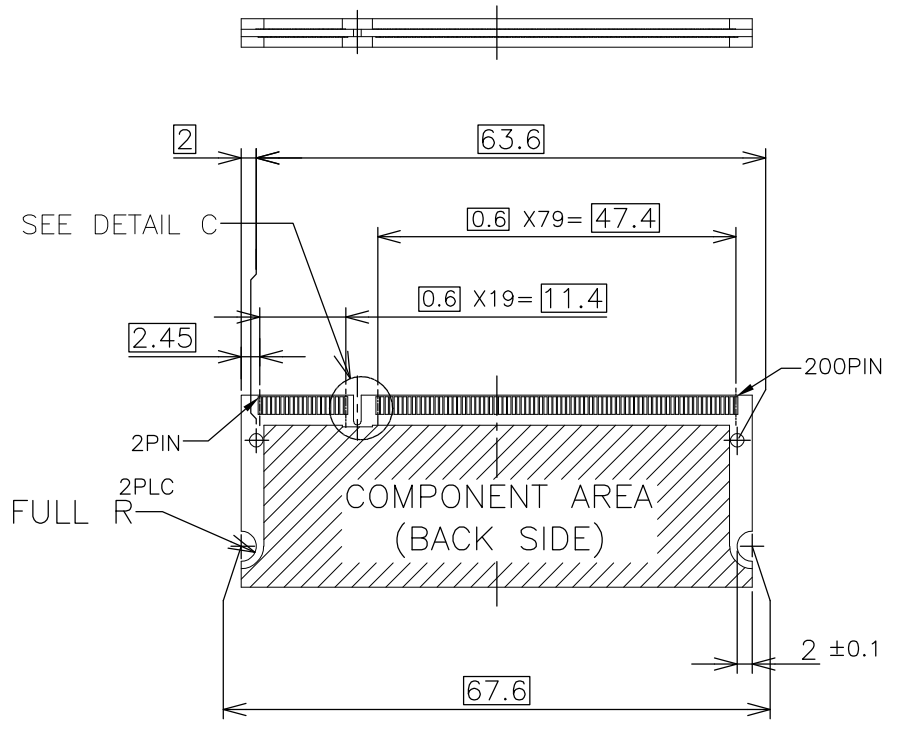
1.8V	17.55	2.4	2.7
POWER SUPPLY	D5	D4	D3

THIS DRAWING IS A CONTROLLED DOCUMENT.		DWN	TE Connectivity		
DIMENSIONS: MM		CHK			
TOLERANCES UNLESS OTHERWISE SPECIFIED:		APVD	NAME		
0 PLC ±		PRODUCT SPEC	DDR SODIMM SOCKET 0.6mm PITCH 200POS		
1 PLC ±		APPLICATION SPEC	9.2H STD TYPE		
2 PLC ±		SIZE	CAGE CODE	DRAWING NO	RESTRICTED TO
3 PLC ±		A3	00779	C-1981284	
4 PLC ±		MATERIAL	CUSTOMER DRAWING		
ANGLES ±	FINISH	WEIGHT	SCALE	SHEET	REV
			2:1	2 OF 4	B1

LOC	DIST	REVISIONS		
		P	LTR	DESCRIPTION
J	/			SEE SHEET 1
				DATE
				DWN
				APVD



- (APPLIED TO SHEET 3)
- 1 TOLERANCES ON ALL DIMENSIONS ±0.15 UNLESS OTHERWISE SPECIFIED.
 - 2 P.C. BOARD THICKNESS APPLIES ACROSS TABS AND INCLUDES PLATING AND/OR METALIZATION.
 - 3 FINISH OF PAD : GOLD PLATING 0.00076 MIN. OVER Ni PLATING 0.002MIN.
- ▲ NO BURR.
▲ CHAMFER 0.25 MAX x 45° IF EXIST.



RECOMMENDED MATING P.C.B CONFIGURATION

31.75			
25.4			
H	1.8V	17.55	2.4
	POWER SUPPLY	D5	D4
			2.7
			D3

THIS DRAWING IS A CONTROLLED DOCUMENT.

DIMENSIONS: MM

TOLERANCES UNLESS OTHERWISE SPECIFIED:

0 PLC	±
1 PLC	±
2 PLC	±
3 PLC	±
4 PLC	±
ANGLES	±
FINISH	±

MATERIAL

STE TE Connectivity

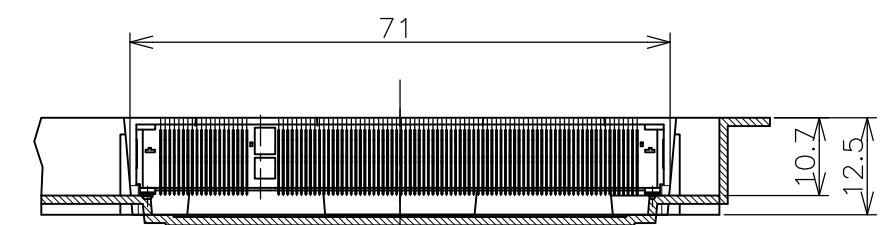
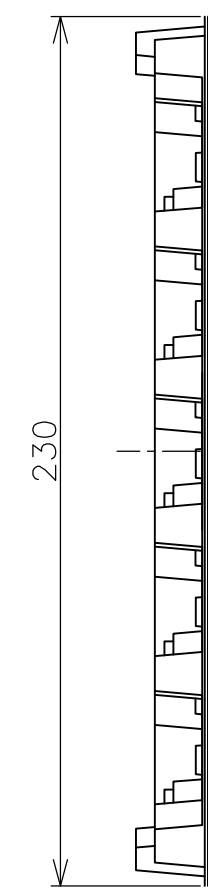
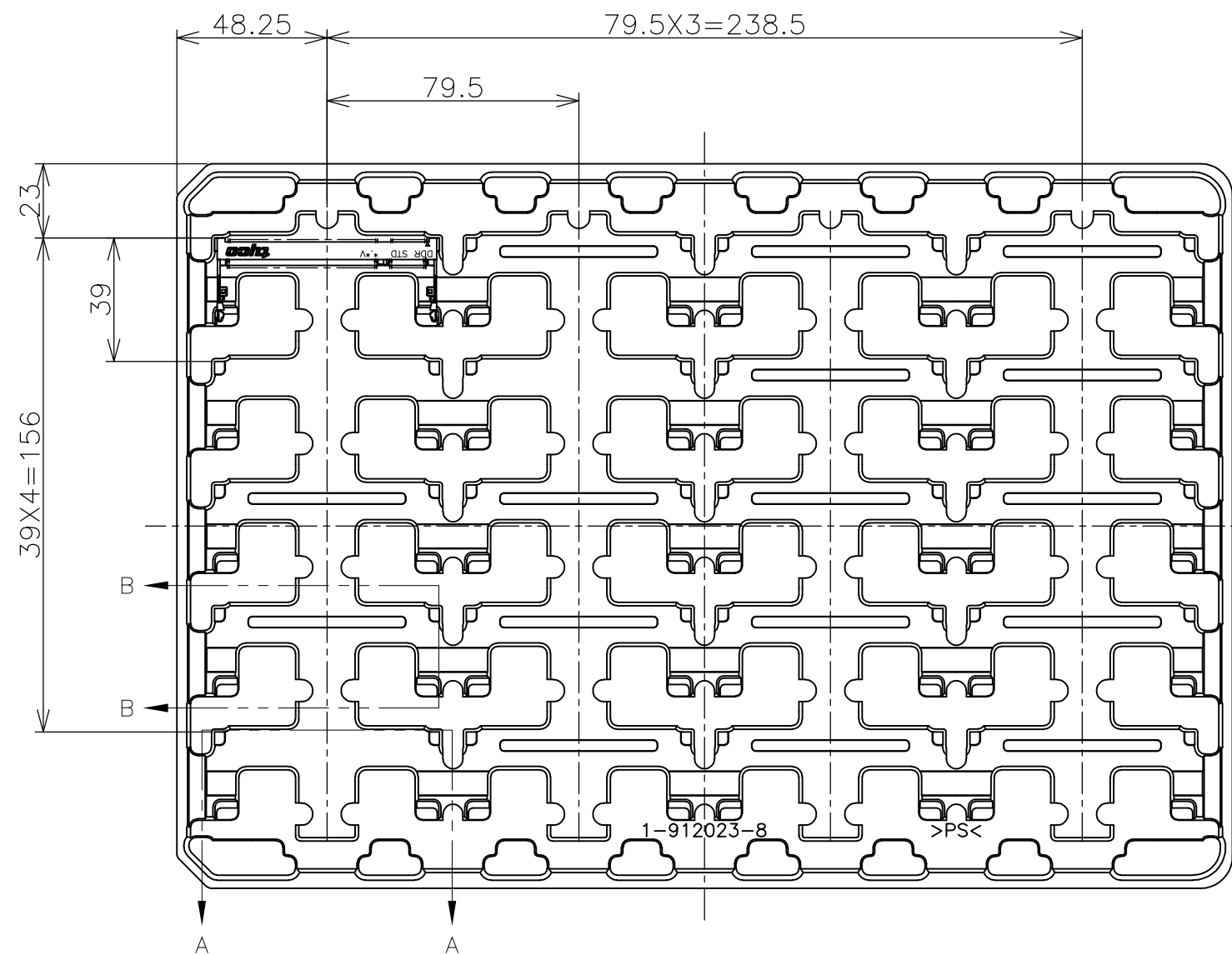
DDR SODIMM SOCKET 0.6mm PITCH 200POS
9.2H STD TYPE
TO FIT AMC APPLICATIONS

SIZE: A3, CAGE CODE: 00779, DRAWING NO: C-1981284

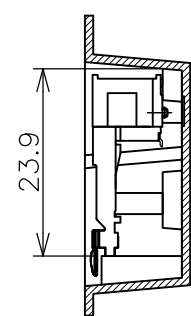
CUSTOMER DRAWING, SCALE: 1:1, SHEET: 3 OF 4, REV: B1

THIS DRAWING IS UNPUBLISHED. RELEASED FOR PUBLICATION MAR , 2007.
 © COPYRIGHT 2007 By - ALL RIGHTS RESERVED.

LOC	DIST	REVISIONS			
P	LTR	DESCRIPTION	DATE	DWN	APVD
		SEE SHEET 1	-	-	-

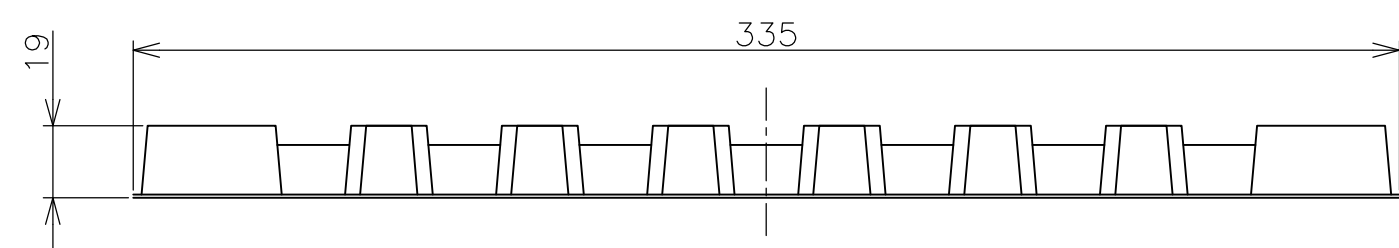


A-A
SCALE 1:1
(180DEG. ROTATE)



B-B
SCALE 1:1

- (APPLIED TO SHEET 4)
1. THE DIRECTION OF EACH CONNECTOR ON A TRAY IS REFERRED TO THIS DRAWING.
 2. GENERAL TOLERANCE: ±0.5



20EA/TRAY	1981284-4
QTY	P/N

THIS DRAWING IS A CONTROLLED DOCUMENT.		DWN	TE Connectivity NAME DDR SODIMM SOCKET 0.6mm PITCH 200POS 9.2H STD TYPE TO FIT AMC APPLICATIONS			
DIMENSIONS: MM		CHK				
TOLERANCES UNLESS OTHERWISE SPECIFIED:		APVD				
0 PLC ± 0.5 1 PLC ± 0.5 2 PLC ± 0.5 3 PLC ± 0.5 4 PLC ± 0.5 ANGLES ± 3° MATERIAL FINISH		PRODUCT SPEC				
MATERIAL		APPLICATION SPEC	SIZE	CAGE CODE	DRAWING NO	RESTRICTED TO
		WEIGHT	A3	00779	C-1981284	
CUSTOMER DRAWING			SCALE	SHEET	REV	
			1:2	4 OF 4	B1	