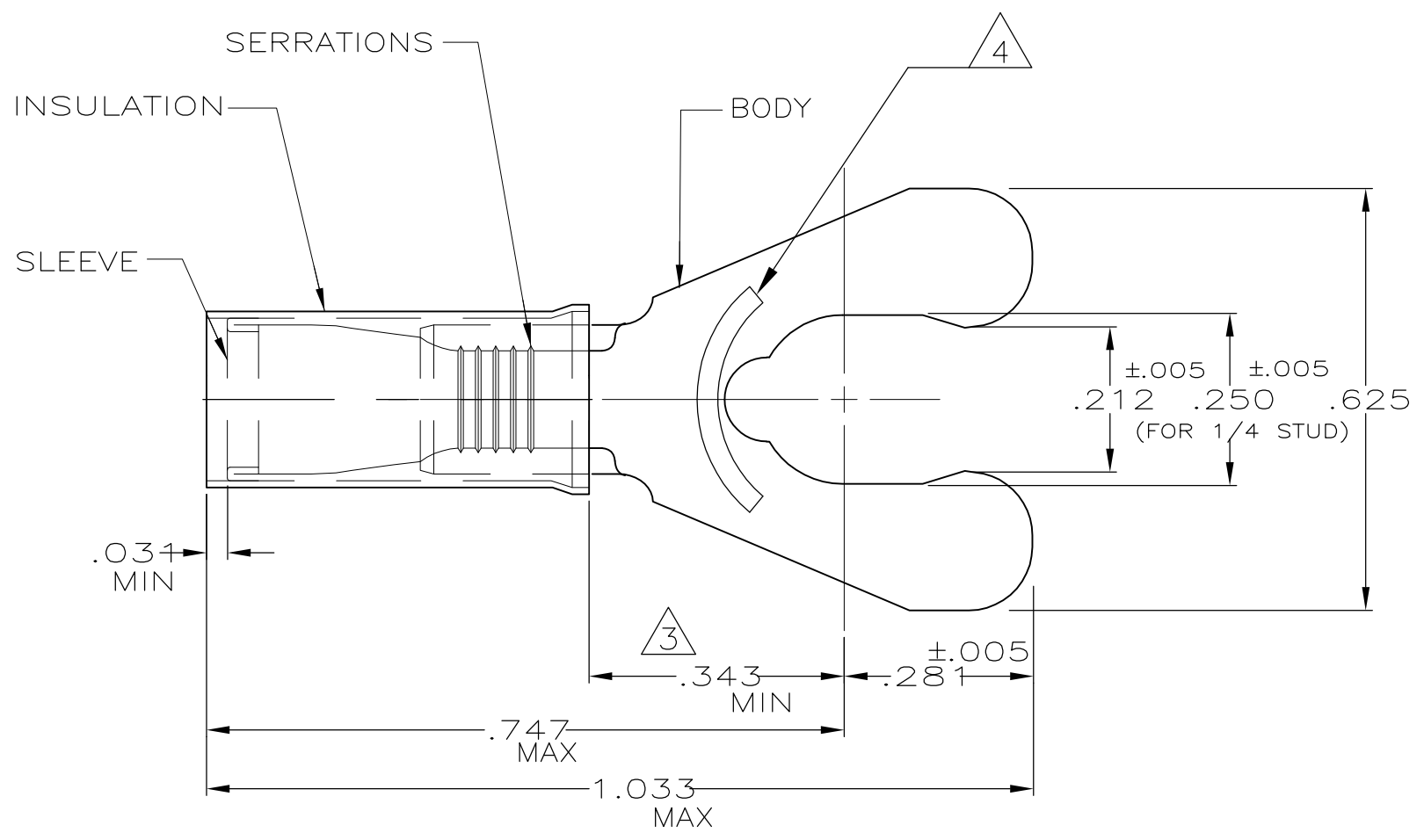


THIS DRAWING IS UNPUBLISHED. RELEASED FOR PUBLICATION
 © COPYRIGHT - BY TYCO ELECTRONICS CORPORATION. ALL INTERNATIONAL RIGHTS RESERVED.

LOC	DIST	REVISIONS					
G	14	P	LTR	DESCRIPTION	DATE	DWN	APVD
			K	REV PER ECR 10-005107	08MAR10	JR	TM



- 1 FOR WIRE INSULATION DIA OF .115 TO .170.
- 2 TONGUE MATERIAL THK IS .031±.002
- 3 DIMENSION APPLIES FROM EDGE OF METAL WIRE BARREL TO CENTER OF STUD HOLE.
- 4 STAMP " 1/4 S AMP 16-14* ", LOCATED APPROX AS SHOWN.

2500	ON TAPE REEL	52939-1	INSULATION: NYLON, COLOR: BLUE SLEEVE: COPPER PER ASTM B152
1000	LOOSE PIECE BOX	52939	BODY: PHOS. BRONZE PER ASTM B103 TIN PLATE PER ASTM B545
QTY	DESCRIPTION	PART NO.	MATERIAL & FINISH

THIS DRAWING IS A CONTROLLED DOCUMENT.		DWN JR RUTH 25OCT01	Tyco Electronics Corporation Harrisburg, PA 17105-3608	
DIMENSIONS: INCHES		CHK MS FEHER 25OCT01		
TOLERANCES UNLESS OTHERWISE SPECIFIED:		APVD T MICHIELUTTI 25OCT01	NAME WIRE TERMINAL, PIDG, SPRING SPADE, (STUB) 16-14 AWG	
0 PLC ± - 1 PLC ± - 2 PLC ± - 3 PLC ± .008 4 PLC ± - ANGLES ±5°		PRODUCT SPEC -	RESTRICTED TO -	
MATERIAL SEE TABLE		APPLICATION SPEC -	SIZE A3	CAGE CODE 00779
FINISH SEE TABLE		WEIGHT -	DRAWING NO G-52939	
CUSTOMER DRAWING			SCALE 4:1	SHEET 1 OF 1
			REV K	