

## Connect High-Density I/O to Real World Inputs and Outputs

This section describes two solutions to connect Omron's wide range of high-density PLC modules, remote I/O and network I/O products. We offer a range of wire and relay terminal blocks and pre-terminated cables to simplify your installation.



### Solutions

- Wire Terminal Blocks
- Relay Terminal Blocks

Depending on the application and the high-density module selected, a mix of wire terminal blocks and relay terminal blocks can be used together.

### Advantages

Here are the main advantages to using these wiring solutions:

- Reduce labor costs
- Eliminate wiring errors
- Conserve PLC rack capacity and panel space
- Reduce overall wiring back to the PLC

## Contents

### Sample Configurations

Wire Terminal Blocks	D-3
Relay Terminal Blocks	D-4

### CS1/CS1D/C200H PLCs

96 I/O point modules	
Wire Terminal Blocks	D-5
Relay Terminal Blocks	D-9

### 64 I/O point modules

Wire Terminal Blocks	D-10
Relay Terminal Blocks	D-13

### 32 I/O point modules

Wire Terminal Blocks	D-15
Relay Terminal Blocks	D-18

### CJ1/CJ1M PLCs

64 I/O point modules	
Wire Terminal Blocks	D-20
Relay Terminal Blocks	D-22

### 32 I/O point modules

Wire Terminal Blocks	D-23
Relay Terminal Blocks	D-26

### CQM1H PLCs

32 I/O point modules	
Wire Terminal Blocks	D-27
Relay Terminal Blocks	D-29

### CPM2C PLCs

32-point CPUs	
Wire Terminal Blocks	D-30
Relay Terminal Blocks	D-32

### 20-point CPUs

Wire Terminal Blocks	D-33
Relay Terminal Blocks	D-35

### 10-point CPUs

Wire Terminal Blocks	D-36
Relay Terminal Blocks	D-38

### 32-point Expansion

Wire Terminal Blocks	D-39
Relay Terminal Blocks	D-41

### 24-point Expansion

Wire Terminal Blocks	D-42
Relay Terminal Blocks	D-44

### 16-point Expansion

Wire Terminal Blocks	D-45
Relay Terminal Blocks	D-47

### 8-point Expansion

Wire Terminal Blocks	D-48
Relay Terminal Blocks	D-49

### DeviceNet Multiple I/O Blocks

Wire Terminal Blocks	D-50
Relay Terminal Blocks	D-52

### High-Density DeviceNet I/O Blocks

Wire Terminal Blocks	D-53
Relay Terminal Blocks	D-54

### CompoBus/S Blocks

Wire Terminal Blocks	D-55
Relay Terminal Blocks	D-57

### Pin-Out Reference for Connecting Cables and Wire Terminal Blocks

Wire Terminal Blocks	D-58
----------------------	------

Wire Terminal Blocks: XW2 series  
Relay Terminal Blocks: G7 series

# Easy-to-Configure Wiring Solutions Reduce Time, Materials, Costs of Installation, and Troubleshooting

## Clean, Orderly Control Cabinets

When you plan the wiring for a control system, the fewer cables coming into the control cabinet the better. This reduces the costs of wiring, tagging and verification at installation and simplifies troubleshooting to reduce downtime. Omron's high-density I/O modules and other socket-based I/O products use pre-terminated cables to eliminate wiring errors between terminal blocks and the PLC modules.

## Connector Types on High-Density Modules





Two types of sockets are used on Omron's high-density I/O modules: Fujitsu style sockets with flange screws and MIL style with locking tabs. The ordering tables specify the cable with the proper connector to match the socket on each model.

## Issues to Consider

- Distance between block and controller: Wire terminal blocks and relay terminal blocks allow up to 10 meters distance from the controller card.
- Number of I/O transmitted: Wire terminal blocks and relay terminal blocks can transmit up to 48 I/O on a single cable.
- Cabling: Wire terminal blocks and relay terminal blocks have pre-made cables that plug into the high-density module or block connector at one end and a single or multiple connectors for the blocks.

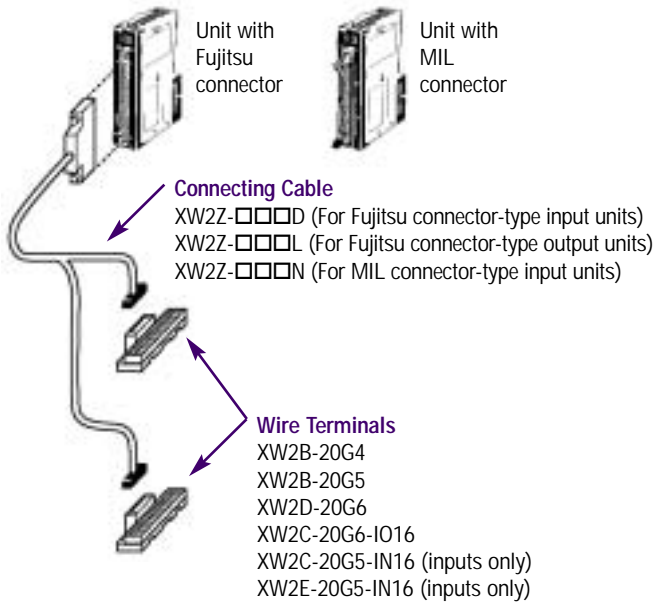
## XW2-Series Wire Terminals

Use XW2 series wire terminals to convert wiring from input and output devices to pre-terminated cables. These terminals use XW2□ cables.

Description	Appearance	Contacts	Part Number
M3 screws, no terminal identification strip	 <p>XW2B-□□G4 (Regular M3 screws)</p>	20 40 60	XW2B-20G4 XW2B-40G4 XW2B-60G4
M3.5 screws and protected terminal identification strip	 <p>XW2B-□□G5 (M3.5 screws)</p>	20 40 60	XW2B-20G5 XW2B-40G5 XW2B-60G5
M3 Phillips screws and protected terminal identification strip	 <p>XW2D-□□G6 (M3 Phillips screws)</p>	20	XW2D-20G6
ON/OFF status indicators; terminal identification strip	 <p>XW2C-20G5-IO16 XW2C-20G6-IO16</p>	20	XW2C-20G5-IO16
Use short bars to handle PLC input or output units; terminal identification strip; ON/OFF status indicators		20	XW2C-20G6-IO16
Three-tier block for easy wiring; equipped with common terminal on the power supply tier; terminal identification strip	 <p>XW2E-20G5-IO16</p>		XW2E-20G5-IO16

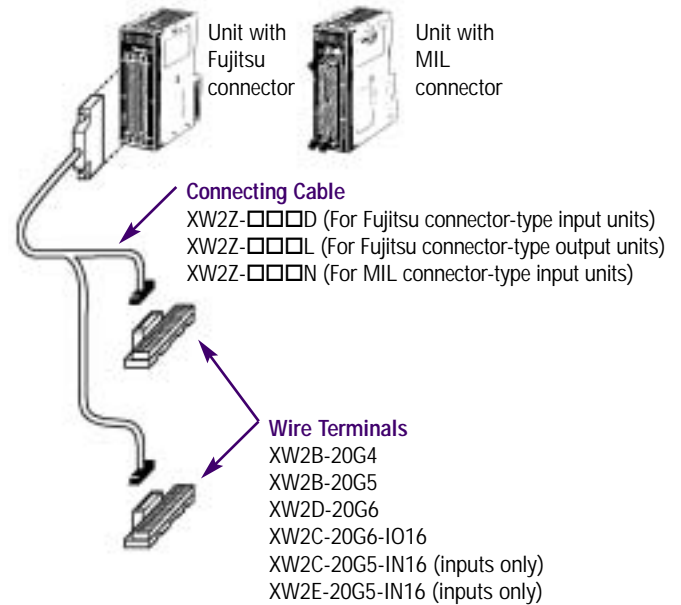
**CJ-Series Basic I/O Unit (32 points)**

- CJ1W-ID231 (Fujitsu connector/input unit)
- CJ1W-OD231 (Fujitsu connector/output unit)
- CJ1W-ID232 (MIL connector/input unit)
- CJ1W-OD232 (MIL connector/output unit)



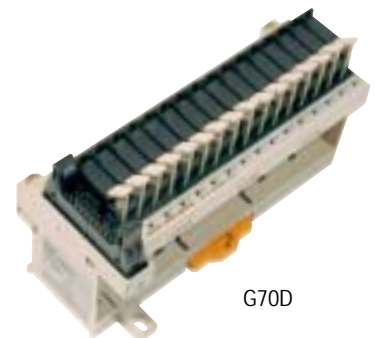
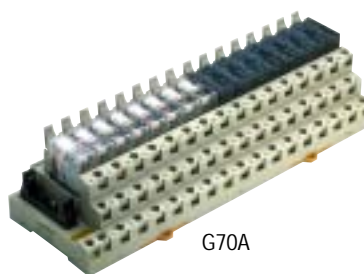
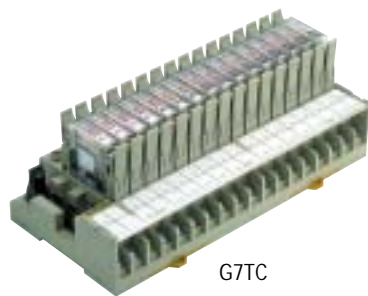
**CJ-Series Basic I/O Unit (64 points)**

- CJ1W-ID261 (Fujitsu connector/input unit)
- CJ1W-OD261 (Fujitsu connector/output unit)
- CJ1W-MD261 (Fujitsu connector, I/O unit)
- CJ1W-ID262 (MIL connector/input unit)
- CJ1W-OD263 (MIL connector/output unit)
- CJ1W-MD263 (MIL connector, I/O unit)
- CJ1W-MD563 (MIL connector, I/O unit)



**G7 Series Relay Terminals**

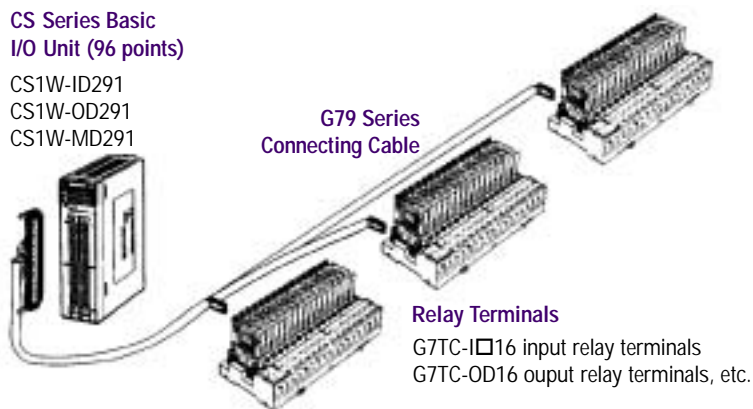
Use G7TC, G70A, and G70D relay terminals to buffer and isolate input and output for the PLC module. Models with interchangeable relays allow a mix of SSR and electromechanical relays to match the switching frequency of the attached device. The G79 cables provide error-proof wiring between high-density I/O module and relay terminals.



Description	Specifications	Relays	Part Number
Relay input terminal	NPN, 10 mA/pt , AC inputs	G7T relays installed	G7TC-IA16 AC110/120V
Relay input terminal	NPN, 10 mA/pt., DC inputs	G7T relays installed	G7TC-ID16 DC24V
Relay output terminal	NPN, 10 A at 250 VAC/30 VDC	G7T relays installed	G7TC-OC16 DC24V
Relay output terminal	PNP, 10 A at 250 VAC/30 VDC	G7T relays installed	G7TC-OC16-1 DC24V
Relay terminal base	NPN/PNP, 100 mA at 240 VAC/110 VDC	Order separately see page D-4	G70A-ZIM16-5 DC24V
Relay terminal base	NPN, 10 A 380 VAC/125 VDC	Order separately see page D-4	G70A-ZOC16-3 DC24V
Relay terminal base	PNP, 10 A 380 VAC/125 VDC	Order separately see page D-4	G70A-ZOC16-4 DC24V
Covered output terminal	NPN, 5 A max. 8 pt ON	G6D relays installed	G70D-SOC16 DC24
Covered output terminal	PNP, 5 A max. 8 pt ON	G6D relays installed	G70D-SOC16-1 DC24
Vertical output terminal	NPN, 5 A max. 8 pt ON	G6D relays installed	G70D-VSOC16 DC24
Vertical output terminal	PNP, 5 A max. 8 pt ON	G6D relays installed	G70D-VSOC16-1 DC24

## Relays/SSRs for G70A

Classification	G70A Terminal Base	PCB Relay	Solid State Relay
Input	G70A-ZIM16-5 DC24V	G2R-1A3-SND DC24V G2R-13-SND DC24V	G3R-IAZR1SN AC100-240 G3R-IDZR1SN DC12-24 G3R-IDZR1SN DC5
Output	NPN: G70A-ZOC16-3 DC24V PNP: G70A-ZOC16-4 DC24V	G2R-1-SND DC24 G2R-1-SND DC12	G3R-OA202SZN DC5-24 G3R-ODX02SN DC5-24 G3R-OD201SN DC5-24

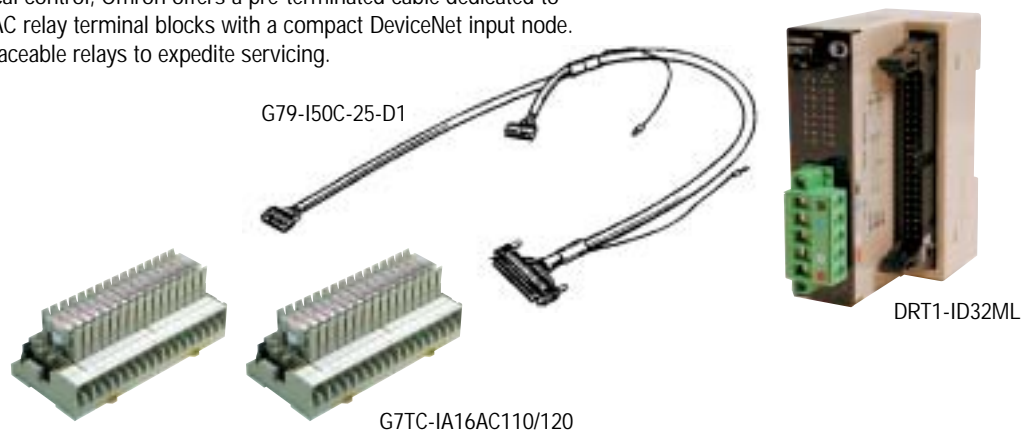


## Mixed I/O Modules

High-density modules that combine both inputs and outputs into the same module contain “MD” in the part number. They offer flexibility to match your exact needs by connecting a combination of wire terminals and relay terminals. Choose wire terminals to simplify input wiring; use relay terminals to boost the load of PLC output signals or match the switching frequency by using solid state relays instead of electromechanical relays.

## AC Inputs for DeviceNet

To support intelligent local control, Omron offers a pre-terminated cable dedicated to AC inputs that connect AC relay terminal blocks with a compact DeviceNet input node. It offers individually replaceable relays to expedite servicing.



## Shorten Your Search

Here are the steps to find just the right solution for your PLC system and module:

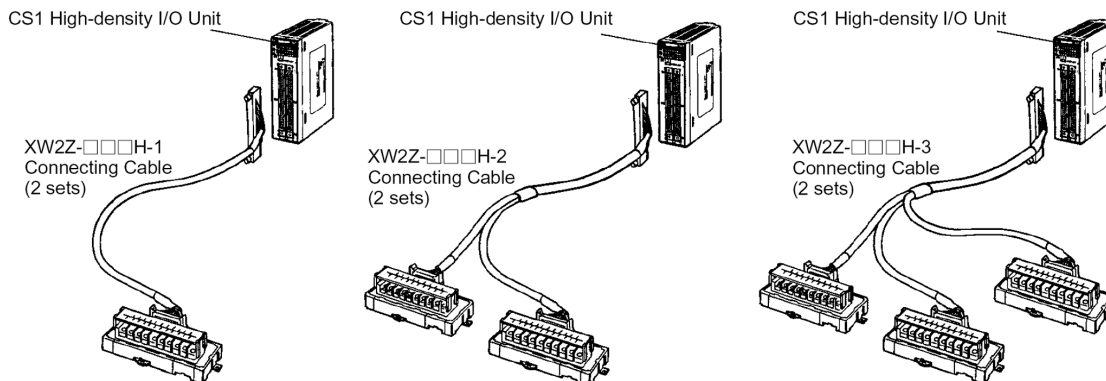
- Find your PLC system or network type
- Choose the number of I/O on the PLC module or network block: 96, 64, or 32
- Look for the high-density I/O module part number in the left column
- Choose wiring terminal block or relay terminal block
- The configuration options for each module are illustrated then shown with the necessary quantities and part numbers of cables and terminal blocks to complete the installation

# Ordering Information

## ■ CS1, CS1D, C200H PLC Systems

### 96-Point Modules

#### Wire Terminal Blocks



**Stock Note:** Shaded models are normally stocked.

CS1, CS1D, C200H: 96-Point Modules											
PLC I/O Modules				Cables			Wire Terminal Blocks				
Model	IN*	OUT*	Type	Qty	Length (m) for each branch	Model	Qty	Terminal 1	Qty	Terminal 2	
CS1W-ID291	48+48	0	NPN/PNP	2	1	XW2Z-100H-1	2	XW2B-60G5	—	—	
					1.5	XW2Z-150H-1		XW2B-60G4			
					2	XW2Z-200H-1					
					3	XW2Z-300H-1					
					5	XW2Z-500H-1					
					7	XW2Z-700H-1					
					10	XW2Z-010H-1					
CS1W-ID291	48+48	0	NPN/PNP	2	1 + 1	XW2Z-100H-2	2	XW2D-20G6	2	XW2D-40G6	
					1.5 + 1.5	XW2Z-150H-2		XW2B-20G4		XW2B-40G4	
					2 + 2	XW2Z-200H-2		XW2B-20G5		XW2B-40G5	
					3 + 3	XW2Z-300H-2					
					5 + 5	XW2Z-500H-2					
					7 + 7	XW2Z-700H-2					
					10 + 10	XW2Z-010H-2					
CS1W-ID291	48+48	0	NPN/PNP	2	1 + 0.75 + 1	XW2Z-100H-3	3	XW2D-20G6	—	—	
					1.5 + 1.25 + 1.5	XW2Z-150H-3		XW2B-20G4			
					2 + 1.75 + 2	XW2Z-200H-3		XW2B-20G5			
					3 + 2.75 + 3	XW2Z-300H-3					
					5 + 4.75 + 5	XW2Z-500H-3					
					10 + 9.75 + 10	XW2Z-010H-3					

\* The IN and OUT numbers show the points per connector. For a 96-point input module, there are two 48-point connectors. It is shown as 48+48 in the IN column, indicating two 48-point input connectors. Mixed I/O modules will have a number in the IN column and OUT column showing points per connector.

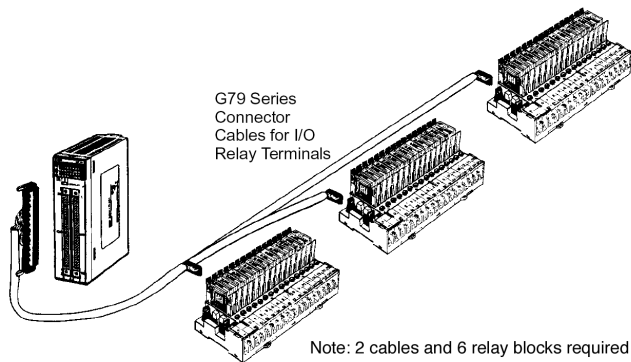
CS1, CS1D, C200H: 96-Point Modules										
PLC I/O Modules				Cables			Wire Terminal Blocks			
Model	IN*	OUT*	Type	Qty	Length (m) for each branch	Model	Qty	Terminal 1	Qty	Terminal 2
CS1W-OD291	0	48+48	NPN	2	1	XW2Z-100H-1	2	XW2B-60G5	—	—
					1.5	XW2Z-150H-1		XW2B-60G4		
					2	XW2Z-200H-1				
					3	XW2Z-300H-1				
					5	XW2Z-500H-1				
					7	XW2Z-700H-1				
					10	XW2Z-010H-1				
CS1W-OD291	0	48+48	NPN	2	1 + 1	XW2Z-100H-2	2	XW2D-20G6	2	XW2D-40G6
					1.5 + 1.5	XW2Z-150H-2		XW2B-20G4		XW2B-40G4
					2 + 2	XW2Z-200H-2		XW2B-20G5		XW2B-40G5
					3 + 3	XW2Z-300H-2				
					5 + 5	XW2Z-500H-2				
					7 + 7	XW2Z-700H-2				
					10 + 10	XW2Z-010H-2				
CS1W-OD291	0	48+48	NPN	2	1 + 0.75 + 1	XW2Z-100H-3	6	XW2D-20G6	—	—
					1.5 + 1.25 + 1.5	XW2Z-150H-3		XW2B-20G4		
					2 + 1.75 + 2	XW2Z-200H-3		XW2B-20G5		
					3 + 2.75 + 3	XW2Z-300H-3				
					5 + 4.75 + 5	XW2Z-500H-3				
					7 + 6.75 + 7	XW2Z-700H-3				
					10 + 9.75 + 10	XW2Z-010H-3				
CS1W-OD292	0	48+48	PNP	2	1	XW2Z-100H-1	2	XW2B-60G5	—	—
					1.5	XW2Z-150H-1		XW2B-60G4		
					2	XW2Z-200H-1				
					3	XW2Z-300H-1				
					5	XW2Z-500H-1				
					7	XW2Z-700H-1				
					10	XW2Z-010H-1				
CS1W-OD292	0	48+48	PNP	2	1 + 1	XW2Z-100H-2	2	XW2D-20G6	2	XW2D-40G6
					1.5 + 1.5	XW2Z-150H-2		XW2B-20G4		XW2B-40G4
					2 + 2	XW2Z-200H-2		XW2B-20G5		XW2B-40G5
					3 + 3	XW2Z-300H-2				
					5 + 5	XW2Z-500H-2				
					7 + 7	XW2Z-700H-2				
					10 + 10	XW2Z-010H-2				
CS1W-OD292	0	48+48	PNP	2	1 + 0.75 + 1	XW2Z-100H-3	6	XW2D-20G6	—	—
					1.5 + 1.25 + 1.5	XW2Z-150H-3		XW2B-20G4		
					2 + 1.75 + 2	XW2Z-200H-3		XW2B-20G5		
					3 + 2.75 + 3	XW2Z-300H-3				
					5 + 4.75 + 5	XW2Z-500H-3				
					7 + 6.75 + 7	XW2Z-700H-3				
					10 + 9.75 + 10	XW2Z-010H-3				

CS1, CS1D, C200H: 96-Point Modules										
PLC I/O Modules				Cables			Wire Terminal Blocks			
Model	IN*	OUT*	Type	Qty	Length (m) for each branch	Model	Qty	Terminal 1	Qty	Terminal 2
CS1W-MD291	48	0	NPN/PNP	1	1	XW2Z-100H-1	1	XW2B-60G5	—	—
					1.5	XW2Z-150H-1		XW2B-60G4		
					2	XW2Z-200H-1				
					3	XW2Z-300H-1				
					5	XW2Z-500H-1				
					7	XW2Z-700H-1				
					10	XW2Z-010H-1				
CS1W-MD291	48	0	NPN/PNP	1	1 + 1	XW2Z-100H-2	1	XW2D-20G6	1	XW2D-40G6
					1.5 + 1.5	XW2Z-150H-2		XW2B-20G4		XW2B-40G4
					2 + 2	XW2Z-200H-2		XW2B-20G5		XW2B-40G5
					3 + 3	XW2Z-300H-2				
					5 + 5	XW2Z-500H-2				
					7 + 7	XW2Z-700H-2				
					10 + 10	XW2Z-010H-2				
CS1W-MD291	48	0	NPN/PNP	1	1 + 0.75 + 1	XW2Z-100H-3	3	XW2D-20G6	—	—
					1.5 + 1.25 + 1.5	XW2Z-150H-3		XW2B-20G4		
					2 + 1.75 + 2	XW2Z-200H-3		XW2B-20G5		
					3 + 2.75 + 3	XW2Z-300H-3				
					5 + 4.75 + 5	XW2Z-500H-3				
					7 + 6.75 + 7	XW2Z-700H-3				
					10 + 9.75 + 10	XW2Z-010H-3				
CS1W-MD291	0	48	NPN	1	1	XW2Z-100H-1	1	XW2B-60G5	—	—
					1.5	XW2Z-150H-1		XW2B-60G4		
					2	XW2Z-200H-1				
					3	XW2Z-300H-1				
					5	XW2Z-500H-1				
					7	XW2Z-700H-1				
					10	XW2Z-010H-1				
CS1W-MD291	0	48	NPN	1	1 + 1	XW2Z-100H-2	1	XW2D-20G6	1	XW2D-40G6
					1.5 + 1.5	XW2Z-150H-2		XW2B-20G4		XW2B-40G4
					2 + 2	XW2Z-200H-2		XW2B-20G5		XW2B-40G5
					3 + 3	XW2Z-300H-2				
					5 + 5	XW2Z-500H-2				
					7 + 7	XW2Z-700H-2				
					10 + 10	XW2Z-010H-2				
CS1W-MD291	0	48	NPN	1	1 + 0.75 + 1	XW2Z-100H-3	3	XW2D-20G6	—	—
					1.5 + 1.25 + 1.5	XW2Z-150H-3		XW2B-20G4		
					2 + 1.75 + 2	XW2Z-200H-3		XW2B-20G5		
					3 + 2.75 + 3	XW2Z-300H-3				
					5 + 4.75 + 5	XW2Z-500H-3				
					7 + 6.75 + 7	XW2Z-700H-3				
					10 + 9.75 + 10	XW2Z-010H-3				

CS1, CS1D, C200H: 96-Point Modules										
PLC I/O Modules				Cables			Wire Terminal Blocks			
Model	IN*	OUT*	Type	Qty	Length (m) for each branch	Model	Qty	Terminal 1	Qty	Terminal 2
CS1W-MD292	48	0	NPN/PNP	1	1	XW2Z-100H-1	1	XW2B-60G5	—	—
					1.5	XW2Z-150H-1		XW2B-60G4		
					2	XW2Z-200H-1				
					3	XW2Z-300H-1				
					5	XW2Z-500H-1				
					7	XW2Z-700H-1				
					10	XW2Z-010H-1				
CS1W-MD292	48	0	NPN/PNP	1	1 + 1	XW2Z-100H-2	1	XW2D-20G6	1	XW2D-40G6
					1.5 + 1.5	XW2Z-150H-2		XW2B-20G4		XW2B-40G4
					2 + 2	XW2Z-200H-2		XW2B-20G5		XW2B-40G5
					3 + 3	XW2Z-300H-2				
					5 + 5	XW2Z-500H-2				
					7 + 7	XW2Z-700H-2				
					10 + 10	XW2Z-010H-2				
CS1W-MD292	48	0	NPN/PNP	1	1 + 0.75 + 1	XW2Z-100H-3	3	XW2D-20G6	—	—
					1.5 + 1.25 + 1.5	XW2Z-150H-3		XW2B-20G4		
					2 + 1.75 + 2	XW2Z-200H-3		XW2B-20G5		
					3 + 2.75 + 3	XW2Z-300H-3				
					5 + 4.75 + 5	XW2Z-500H-3				
					7 + 6.75 + 7	XW2Z-700H-3				
					10 + 9.75 + 10	XW2Z-010H-3				
CS1W-MD292	0	48	PNP	1	1	XW2Z-100H-1	1	XW2B-60G5	—	—
					1.5	XW2Z-150H-1		XW2B-60G4		
					2	XW2Z-200H-1				
					3	XW2Z-300H-1				
					5	XW2Z-500H-1				
					7	XW2Z-700H-1				
					10	XW2Z-010H-1				
CS1W-MD292	0	48	PNP	1	1 + 1	XW2Z-100H-2	1	XW2D-20G6	1	XW2D-40G6
					1.5 + 1.5	XW2Z-150H-2		XW2B-20G4		XW2B-40G4
					2 + 2	XW2Z-200H-2		XW2B-20G5		XW2B-40G5
					3 + 3	XW2Z-300H-2				
					5 + 5	XW2Z-500H-2				
					7 + 7	XW2Z-700H-2				
					10 + 10	XW2Z-010H-2				
CS1W-MD292	0	48	PNP	1	1 + 0.75 + 1	XW2Z-100H-3	3	XW2D-20G6	—	—
					1.5 + 1.25 + 1.5	XW2Z-150H-3		XW2B-20G4		
					2 + 1.75 + 2	XW2Z-200H-3		XW2B-20G5		
					3 + 2.75 + 3	XW2Z-300H-3				
					5 + 4.75 + 5	XW2Z-500H-3				
					7 + 6.75 + 7	XW2Z-700H-3				
					10 + 9.75 + 10	XW2Z-010H-3				



## Relay Terminal Blocks



**Stock Note:** Shaded models are normally stocked.

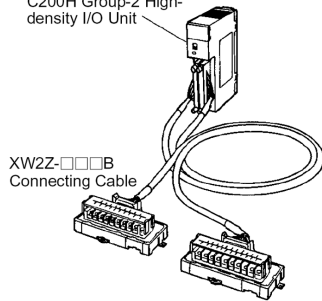
CS1, CS1D, C200H: 96-Point Modules											
PLC I/O Modules				Cables			Relay Terminal Blocks				
Model	IN	OUT	Type	Qty	Length (m) for each branch	Model	Qty	Terminal 1	Qty	Terminal 2	
CS1W-ID291	48+48	0	NPN/PNP	2	1.5 + 1.25 + 1	G79-150C-125-100	6	G7TC-IA16AC110120V	—	—	
					2 + 1.75 + 1.5	G79-200C-175-150		G7TC-ID16DC24V			
					3 + 2.75 + 2.5	G79-300C-275-250					
CS1W-OD291	0	48+48	NPN	2	1.5 + 1.25 + 1	G79-150C-125-100	6	G7TC-OC16AC24V	—	—	
					2 + 1.75 + 1.5	G79-200C-175-150		G7TC-OC16DAC24V			
					3 + 2.75 + 2.5	G79-300C-275-250		G70D-SOC16DC24			
								G70A-ZOC16-3DC24V			
CS1W-OD292	0	48+48	PNP	2	1.5 + 1.25 + 1	G79-150C-125-100	6	G7TC-OC16-1DC24V	—	—	
					2 + 1.75 + 1.5	G79-200C-175-150		G70A-ZOC16-4DC24V			
					3 + 2.75 + 2.5	G79-300C-275-250					
CS1W-MD291	48	0	NPN/PNP	1	1.5 + 1.25 + 1	G79-150C-125-100	3	G7TC-IA16AC110120V	—	—	
					2 + 1.75 + 1.5	G79-200C-175-150		G7TC-ID16DC24V			
					3 + 2.75 + 2.5	G79-300C-275-250					
CS1W-MD291	0	48	NPN	1	1.5 + 1.25 + 1	G79-150C-125-100	3	G7TC-OC16DC24V	—	—	
					2 + 1.75 + 1.5	G79-200C-175-150		G70D-SOC16DC24			
					3 + 2.75 + 2.5	G79-300C-275-250		G70D-VSOC16DC24			
								G70A-ZOC16-3DC24V			
CS1W-MD292	48	0	NPN/PNP	1	1.5 + 1.25 + 1	G79-150C-125-100	3	G7TC-IA16AC110120V	—	—	
					2 + 1.75 + 1.5	G79-200C-175-150		G7TC-ID16DC24V			
					3 + 2.75 + 2.5	G79-300C-275-250					
CS1W-MD292	0	48	PNP	1	1.5 + 1.25 + 1	G79-150C-125-100	3	G7TC-OC16-1DC24V	—	—	
					2 + 1.75 + 1.5	G79-200C-175-150		G70A-ZOC16-4DC24V			
					3 + 2.75 + 2.5	G79-300C-275-250					

## 64-Point Modules

### Wire Terminal Blocks

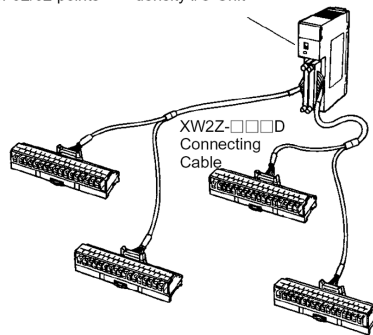
CS1 I/O Units with 32, 64, or 32/32 points

C200H Group-2 High-density I/O Unit



CS1 I/O Units with 32, 64, or 32/32 points

C200H Group-2 High-density I/O Unit



**Stock Note:** Shaded models are normally stocked.

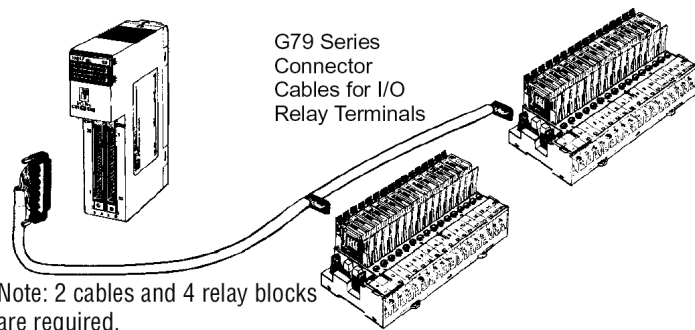
CS1, CS1D, C200H: 64-Point Modules								
PLC I/O Modules				Cables			Wire Terminal Blocks	
Model	IN	OUT	Type	Qty	Length (m) for each branch	Model	Qty	Terminal 1
CS1W-ID261	32+32	0	NPN/PNP	2	0.5	XW2Z-050B	2	XW2D-40G6
					1	XW2Z-100B		XW2B-40G4
					1.5	XW2Z-150B		XW2B-40G5
					2	XW2Z-200B		
					3	XW2Z-300B		
					5	XW2Z-500B		
					7	XW2B-700B		
CS1W-ID261	32+32	0	NPN/PNP	2	1 + 0.75	XW2Z-100D	4	XW2D-20G6
					1.5 + 1.25	XW2Z-150D		XW2B-20G5
					2 + 1.75	XW2Z-200D		XW2B-20G4
					3 + 2.75	XW2Z-300D	2	XW2B-40G5-T
					5 + 4.75	XW2Z-500D	4	XW2C-20G5-IN16
							XW2E-20G5-IN16	
							XW2C-20G6-IO16	
CS1W-OD261	0	32+32	NPN	2	0.5	XW2Z-050B	2	XW2D-40G6
					1	XW2Z-100B		
					1.5	XW2Z-150B		
					2	XW2Z-200B		
					3	XW2Z-300B		
					5	XW2Z-500B		
					7	XW2B-700B		
CS1W-OD261	0	32+32	NPN	1	0.5	XW2Z-050B	1	XW2B-40G5
					1	XW2Z-100B		XW2B-40G4
					1.5	XW2Z-150B		
					2	XW2Z-200B		
					3	XW2Z-300B		
					5	XW2Z-500B		
					7	XW2B-700B		

CS1, CS1D, C200H: 64-Point Modules								
PLC I/O Modules				Cables			Wire Terminal Blocks	
Model	IN	OUT	Type	Qty	Length (m) for each branch	Model	Qty	Terminal 1
CS1W-OD262	0	32+32	PNP	2	0.5	XW2Z-050B	2	XW2D-40G6
					1	XW2Z-100B		XW2B-40G4
					1.5	XW2Z-150B		XW2B-40G5
					2	XW2Z-200B		
					3	XW2Z-300B		
					5	XW2Z-500B		
					7	XW2B-700B		
CS1W-MD261	32	0	NPN/PNP	1	0.5	XW2Z-050B	1	XW2D-40G6
					1	XW2Z-100B		XW2B-40G4
					1.5	XW2Z-150B		XW2B-40G5
					2	XW2Z-200B		
					3	XW2Z-300B		
					5	XW2Z-500B		
					7	XW2B-700B		
CS1W-MD261	32	0	NPN/PNP	1	1 + 0.75	XW2Z-100D	2	XW2D-20G6
					1.5 + 1.25	XW2Z-150D		XW2B-20G5
					2 + 1.75	XW2Z-200D		XW2B-20G4
					3 + 2.75	XW2Z-300D	1	XW2B-40G5-T
					5 + 4.75	XW2Z-500D	2	XW2C-20G5-IN16
							XW2E-20G5-IN16	
							XW2C-20G6-IO16	
CS1W-MD261	0	32	NPN	2	0.5	XW2Z-050B	2	XW2D-40G6
					1	XW2Z-100B		XW2D-40G5
					1.5	XW2Z-150B		XW2D-40G4
					2	XW2Z-200B		
					3	XW2Z-300B		
					5	XW2Z-500B		
					7	XW2Z-700B		
CS1W-MD262	32	0	NPN/PNP	1	0.5	XW2Z-050B	1	XW2D-40G6
					1	XW2Z-100B		XW2B-40G4
					1.5	XW2Z-150B		XW2B-40G5
					2	XW2Z-200B		
					3	XW2Z-300B		
					5	XW2Z-500B		
					7	XW2Z-700B		

CS1, CS1D, C200H: 64-Point Modules									
PLC I/O Modules				Cables			Wire Terminal Blocks		
Model	IN	OUT	Type	Qty	Length (m) for each branch	Model	Qty	Terminal 1	
CS1W-MD262	32	0	NPN/PNP	1	1 + 0.75	XW2Z-100D	2	XW2D-20G6	
					1.5 + 1.25	XW2Z-150D		XW2B-20G5	
					2 + 1.75	XW2Z-200D		XW2B-20G4	
					3 + 2.75	XW2Z-300D	1	XW2B-40G5-T	
					5 + 4.75	XW2Z-500D	2	XW2C-20G5-IN16	
								XW2E-20G5-IN16	
							XW2C-20G6-IO16		
C200H-ID111	32+32	0	NPN/PNP	2	0.5	XW2Z-050B	2	XW2D-40G6	
					1	XW2Z-100B		XW2B-40G4	
					1.5	XW2Z-150B		XW2B-40G5	
					2	XW2Z-200B			
					3	XW2Z-300B			
					5	XW2Z-500B			
					7	XW2Z-700B			
C200H-ID111	32+32	0	NPN/PNP	2	1 + 0.75	XW2Z-100D	4	XW2D-20G6	
					1.5 + 1.25	XW2Z-150D		XW2B-20G5	
					2 + 1.75	XW2Z-200D		XW2B-20G4	
					3 + 2.75	XW2Z-300D	2	XW2B-40G5-T	
					5 + 4.75	XW2Z-500D	4	XW2C-20G5-IN16	
								XW2C-20G6-IO16	
C200H-ID217	32+32	0	NPN/PNP	2	0.5	XW2Z-050B	2	XW2D-40G6	
					1	XW2Z-100B		XW2B-40G4	
					1.5	XW2Z-150B		XW2B-40G5	
					2	XW2Z-200B			
					3	XW2Z-300B			
					5	XW2Z-500B			
					7	XW2Z-700B			
C200H-ID217	32+32	0	NPN/PNP	2	1 + 0.75	XW2Z-100D	4	XW2D-20G6	
					1.5 + 1.25	XW2Z-150D		XW2B-20G5	
					2 + 1.75	XW2Z-200D		XW2B-20G4	
					3 + 2.75	XW2Z-300D	2	XW2B-40G5-T	
					5 + 4.75	XW2Z-500D	4	XW2C-20G5-IN16	
								XW2E-20G5-IN16	
							XW2C-20G6-IO16		
C200H-ID219	32+32	0	NPN/PNP	2	0.5	XW2Z-050B	2	XW2D-40G6	
					1	XW2Z-100B		XW2B-40G4	
					1.5	XW2Z-150B		XW2B-40G5	
					2	XW2Z-200B			
					3	XW2Z-300B			
					5	XW2Z-500B			
					7	XW2Z-700B			

CS1, CS1D, C200H: 64-Point Modules								
PLC I/O Modules				Cables			Wire Terminal Blocks	
Model	IN	OUT	Type	Qty	Length (m) for each branch	Model	Qty	Terminal 1
C200H-ID219	32+32	0	NPN/PNP	2	1 + 0.75	XW2Z-100D	4	XW2D-20G6
					1.5 + 1.25	XW2Z-150D		XW2B-20G5
					2 + 1.75	XW2Z-200D		XW2B-20G4
					3 + 2.75	XW2Z-300D	2	XW2B-40G5-T
					5 + 4.75	XW2Z-500D	4	XW2C-20G5-IN16
							XW2E-20G5-IN16	
							XW2C-20G6-IO16	
C200H-OD219	0	32+32	NPN	2	0.5	XW2Z-050B	4	XW2D-40G6
					1	XW2Z-100B		XW2B-40G4
					1.5	XW2Z-150B		XW2B-40G5
					2	XW2Z-200B		
					3	XW2Z-300B		
					5	XW2Z-500B		
					7	XW2Z-700B		

**Relay Terminal Blocks**



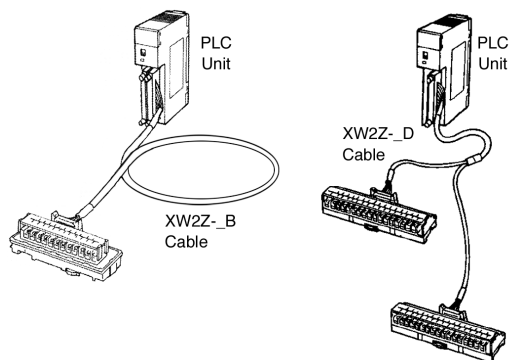
**Stock Note:** Shaded models are normally stocked.

CS1, CS1D, C200H: 64-Point Modules								
PLC I/O Modules				Cables			Relay Terminal Blocks	
Model	IN	OUT	Type	Qty	Length (m) for each branch	Model	Qty	Terminal 1
CS1W-OD261	0	32+32	NPN	2	1 + 0.75	G79-O100C-75	4	G7TC-OC16DC24
					1.5 + 1.25	G79-O150C-125		G70D-SOC16DC24
					2 + 1.75	G79-O200C-175		G70D-VSOC16DC24
					3 + 2.75	G79-O300C-275		G70A-ZOC16-3DC24
					5 + 4.75	G79-O500C-475		
CS1W-OD262	0	32+32	PNP	2	1 + 0.75	G79-O100C-75	4	G7TC-OC16-1DC24V
					1.5 + 1.25	G79-O150C-125		G70D-SOC16-1DC24
					2 + 1.75	G79-O200C-175		G70A-ZOC16-5
					3 + 2.75	G79-O300C-275		
					5 + 4.75	G79-O500C-475		

CS1, CS1D, C200H: 64-Point Modules								
PLC I/O Modules				Cables			Relay Terminal Blocks	
Model	IN	OUT	Type	Qty	Length (m) for each branch	Model	Qty	Terminal 1
CS1W-MD261	0	32	NPN	1	1 + 0.75	G79-O100C-75	2	G7TC-OC16DC24V
					1.5 + 1.25	G79-O150C-125		G70D-SOC16DC24
					2 + 1.75	G79-O200C-175		G70D-VSOC16DC24
					3 + 2.75	G79-O300C-275		G70A-ZOC16-3DC24V
					5 + 4.75	G79-O500C-475		
CS1W-MD261	0	32	NPN	1	1 + 0.75	G79-O100C-75	2	G7TC-OC16DC24V
					1.5 + 1.25	G79-O150C-125		G70D-SOC16DC24
					2 + 1.75	G79-O200C-175		G70D-VSOC16DC24
					3 + 2.75	G79-O300C-275		G70A-ZOC16-3DC24V
					5 + 4.75	G79-O500C-475		
CS1W-MD262	0	32	PNP	1	1 + 0.75	G79-O100C-75	2	G7TC-OC16-1DC24V
					1.5 + 1.25	G79-O150C-125		G70D-SOC16-1DC24
					2 + 1.75	G79-O200C-175		G70A-ZOC16-5
					3 + 2.75	G79-O300C-275		
					5 + 4.75	G79-O500C-475		
C200H-ID217	32+32	0	NPN/PNP	2	1 + 0.75	G79-I100C-75	4	G7TC-IA16AC110120V
					1.5 + 1.25	G79-I150C-125		G7TC-ID16AC24V
					2 + 1.75	G79-I200C-175		
					3 + 2.75	G79-I300C-275		
					5 + 4.75	G79-I500C-475		
C200H-ID219	32+32	0	NPN/PNP	2	1 + 0.75	G79-I100C-75	4	G7TC-IA16AC110120V
					1.5 + 1.25	G79-I150C-125		G7TC-ID16AC24V
					2 + 1.75	G79-I200C-175		
					3 + 2.75	G79-I300C-275		
					5 + 4.75	G79-I500C-475		
C200H-OD219	0	32+32	NPN	2	1 + 0.75	G79-O100C-75	4	G7TC-OC16AC24V
					1.5 + 1.25	G79-O150C-125		G70D-SOC16DC24
					2 + 1.75	G79-O200C-175		G70D-VSOC16DC24
					3 + 2.75	G79-O300C-275		G70A-ZOC16-3DC24V
					5 + 4.75	G79-O500C-475		

## 32-Point Modules

### Wire Terminal Blocks



**Stock Note:** Shaded models are normally stocked.

CS1, CS1D, C200H: 32-Point Modules								
PLC I/O Modules				Cables			Wire Terminal Blocks	
Model	IN	OUT	Type	Qty	Length (m) for each branch	Model	Qty	Terminal 1
CS1W-ID231	32	0	NPN/PNP	1	0.5	XW2Z-050B	1	XW2D-40G6
					1	XW2Z-100B		XW2B-40G4
					1.5	XW2Z-150B		XW2B-40G5
					2	XW2Z-200B		
					3	XW2Z-300B		
					5	XW2Z-500B		
					7	XW2Z-700B		
					10	XW2Z-010B		
CS1W-ID231	32	0	NPN/PNP	1	1 + 0.75	XW2Z-100D	2	XW2D-20G6
					1.5 + 1.25	XW2Z-150D		XW2B-20G5
					2 + 1.75	XW2Z-200D		XW2B-20G4
					3 + 2.75	XW2Z-300D	1	XW2B-40G5-T
					5 + 4.75	XW2Z-500D	2	XW2C-20G5-IN16
					7 + 6.75	XW2Z-700D		XW2E-20G5-IN16
					10 + 9.75	XW2Z-010D		XW2C-20G6-IO16
CS1W-OD231	0	32	NPN	1	0.5	XW2Z-050B	1	XW2D-40G6
					1	XW2Z-100B		XW2B-40G5
					1.5	XW2Z-150B		XW2B-40G4
					2	XW2Z-200B		
					3	XW2Z-300B		
					5	XW2Z-500B		
					7	XW2Z-700B		
					10	XW2Z-010B		
CS1W-OD232	0	32	PNP	1	0.5	XW2Z-050B	1	XW2D-40G6
					1	XW2Z-100B		XW2B-40G4
					1.5	XW2Z-150B		XW2B-40G5
					2	XW2Z-200B		
					3	XW2Z-300B		
					5	XW2Z-500B		
					7	XW2Z-700B		
					10	XW2Z-010B		

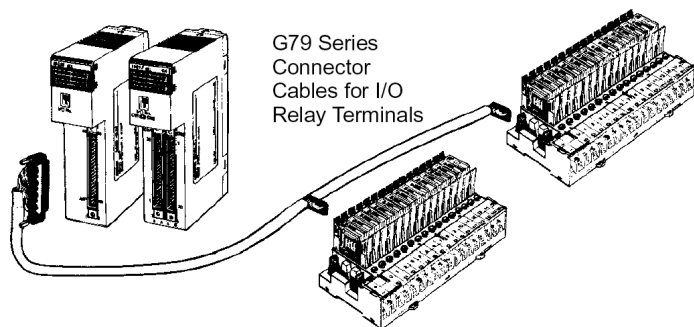
CS1, CS1D, C200H: 32-Point Modules									
PLC I/O Modules				Cables			Wire Terminal Blocks		
Model	IN	OUT	Type	Qty	Length (m) for each branch	Model	Qty	Terminal 1	
C200H-ID215	16+16	0	NPN/PNP	2	1	XW2Z-100A	2	XW2D-20G6	
					1.5	XW2Z-150A		XW2B-20G5	
					2	XW2Z-200A		XW2B-20G4	
					3	XW2Z-300A		XW2C-20G6-IO16	
					5	XW2Z-500A		XW2C-20G5-IN16	
								XW2E-20G5-IN16	
C200H-OD215	0	16+16	NPN	2	1	XW2Z-100A	2	XW2D-20G6	
					1.5	XW2Z-150A		XW2B-20G5	
					2	XW2Z-200A		XW2B-20G4	
					3	XW2Z-300A		XW2C-20G6-IO16	
					5	XW2Z-500A			
C200H-ID216	32	0	NPN/PNP	1	0.5	XW2Z-050B	1	XW2D-40G6	
					1	XW2Z-100B		XW2B-40G4	
					1.5	XW2Z-150B		XW2B-40G5	
					2	XW2Z-200B			
					3	XW2Z-300B			
					5	XW2Z-500B			
C200H-ID216	32	0	NPN/PNP	1	1 + 0.75	XW2Z-100D	2	XW2D-20G6	
					1.5 + 1.25	XW2Z-150D		XW2B-20G5	
					2 + 1.75	XW2Z-200D		XW2B-20G4	
					3 + 2.75	XW2Z-300D	1	XW2B-40G5-T	
					5 + 4.75	XW2Z-500D	2	XW2C-20G5-IN16	
								XW2E-20G5-IN16	
		XW2C-20G6-IO16							
C200H-ID218	32	—	NPN/PNP	1	0.5	XW2Z-050B	1	XW2D-40G6	
					1	XW2Z-100B		XW2B-40G4	
					1.5	XW2Z-150B		XW2B-40G5	
					2	XW2Z-200B			
					3	XW2Z-300B			
					5	XW2Z-500B			
					7	XW2Z-700B			
C200H-ID218	32	—	NPN/PNP	1	1 + 0.75	XW2Z-100D	2	XW2D-20G6	
					1.5 + 1.25	XW2Z-150D		XW2B-20G5	
					2 + 1.75	XW2Z-200D		XW2B-20G4	
					3 + 2.75	XW2Z-300D	1	XW2B-40G5-T	
					5 + 4.75	XW2Z-500D	2	XW2C-20G5-IN16	
								XW2E-20G5-IN16	
		XW2C-20G6-IO16							
C200H-OD218	—	32	NPN	1	0.5	XW2Z-050B	1	XW2D-40G6	
					1	XW2Z-100B		XW2B-40G4	
					1.5	XW2Z-150B		XW2B-40G5	
					2	XW2Z-200B			
					3	XW2Z-300B			
					5	XW2Z-500B			
					7	XW2Z-700B			



CS1, CS1D, C200H: 32-Point Modules								
PLC I/O Modules				Cables			Wire Terminal Blocks	
Model	IN	OUT	Type	Qty	Length (m) for each branch	Model	Qty	Terminal 1
C200H-OD21B	—	32	PNP	1	0.5	XW2Z-050B	1	XW2D-40G6
					1	XW2Z-100B		XW2B-40G4
					1.5	XW2Z-150B		XW2B-40G5
					2	XW2Z-200B		
					3	XW2Z-300B		
					5	XW2Z-500B		
					7	XW2Z-700B		
C200H-MD215	16	—	NPN/PNP	1	1	XW2Z-100A	1	XW2D-20G6
					1.5	XW2Z-150A		XW2B-20G5
					2	XW2Z-200A		XW2B-20G4
					3	XW2Z-300A		XW2C-20G6-IO16
					5	XW2Z-500A		XW2C-20G5-IN16
								XW2E-20G5-IN16
C200H-MD215	—	16	NPN	1	1	XW2Z-100A	1	XW2D-20G6
					1.5	XW2Z-150A		XW2B-20G5
					2	XW2Z-200A		XW2B-20G4
					3	XW2Z-300A		XW2C-20G6-IO16
					5	XW2Z-500A		
C200H-ID501	16+16	—	TTL	2	1	XW2Z-100A	2	XW2D-20G6
					1.5	XW2Z-150A		XW2B-20G5
					2	XW2Z-200A		XW2B-20G4
					3	XW2Z-300A		XW2C-20G6-IO16
					5	XW2Z-500A		XW2E-20G5-IN16
C200H-OD501	—	16+16	TTL	2	1	XW2Z-100A	2	XW2D-20G6
					1.5	XW2Z-150A		XW2B-20G5
					2	XW2Z-200A		XW2B-20G4
					3	XW2Z-300A		XW2C-20G6-IO16
					5	XW2Z-500A		

CS1, CS1D, C200H: 32-Point Modules									
PLC I/O Modules				Cables			Wire Terminal Blocks		
Model	IN	OUT	Type	Qty	Length (m) for each branch	Model	Qty	Terminal 1	
C200H-MD115	16	—	NPN/PNP	1	1	XW2Z-100A	1	XW2D-20G6	
C200H-MD115	—	16	NPN	1	1.5	XW2Z-150A	1	XW2D-20G5	
					2	XW2Z-200A		XW2D-20G4	
					3	XW2Z-300A			
					5	XW2Z-500A			
C200H-MD501	16	—	NPN/PNP	1	1	XW2Z-100A	1	XW2D-20G6	
					1.5	XW2Z-150A		XW2B-20G5	
					2	XW2Z-200A		XW2B-20G4	
					3	XW2Z-300A		XW2C-20G6-IO16	
					5	XW2Z-500A		XW2E-20G5-IN16	
C200H-MD501	—	16	NPN	1	1	XW2Z-100A	1	XW2D-20G6	
					1.5	XW2Z-150A		XW2B-20G5	
					2	XW2Z-200A		XW2B-20G4	
					3	XW2Z-300A		XW2C-20G6-IO16	
					5	XW2Z-500A			

**Relay Terminal Blocks**



**Stock Note:** Shaded models are normally stocked.

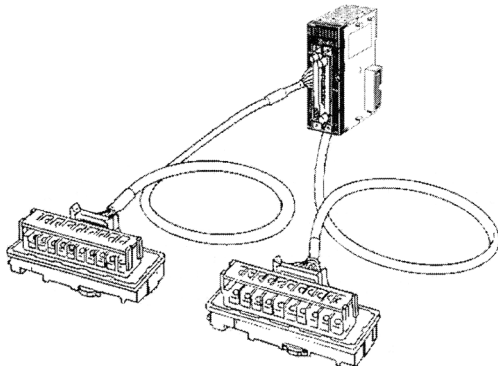
CS1, CS1D, C200H: 32-Point Modules									
PLC I/O Modules				Cables			Relay Terminal Blocks		
Model	IN	OUT	Type	Qty	Length (m) for each branch	Model	Qty	Terminal 1	
CS1W-OD231	—	32	NPN	1	1 + 0.75	G79-O100C-75	2	G7TC-OC16DC24V	
					1.5 + 1.25	G79-O150C-125		G70D-SOC16DC24	
					2 + 1.75	G79-O200C-175		G70D-VSOC16DC24	
					3 + 2.75	G79-O300C-275		G70A-ZOC16-3DC24V	
					5 + 4.75	G79-O500C-475			
CS1W-OD232	—	32	PNP	1	0.5 + 0.25	G79-I50-25-D1	2	G70D-SOC16-1	
					0.75 + 0.5	G79-I75-50-D1		G7TC-OC161-DC24V	
C200H-ID215	16+16	—	NPN/PNP	2	1	G79-100C	2	G7TC-IA16AC110120V	
					1.5	G79-150C		G7TC-ID16DC24V	
					2	G79-200C			
					3	G79-300C			
					5	G79-500C			

CS1, CS1D, C200H: 32-Point Modules								
PLC I/O Modules				Cables			Relay Terminal Blocks	
Model	IN	OUT	Type	Qty	Length (m) for each branch	Model	Qty	Terminal 1
C200H-OD215	—	16+16	NPN	2	1	G79-100C	2	G77C-OC16DC24V
					1.5	G79-150C		G70D-SOC16DC24
					2	G79-200C		G70D-VSOC16DC24
					3	G79-300C		G70A-ZOC16-3DC24V
					5	G79-500C		
C200H-ID216	32	—	NPN/PNP	1	1 + 0.75	G79-I100C-75	2	G77C-IA16AC110120V
					1.5 + 1.25	G79-I150C-125		G77C-ID16DC24V
					2 + 1.75	G79-I200C-175		
					3 + 2.75	G79-I300C-275		
					5 + 4.75	G79-I500C-475		
C200H-ID218	32	—	NPN/PNP	1	1 + 0.75	G79-I100C-75	2	G77C-IA16AC110120V
					1.5 + 1.25	G79-I150C-125		G77C-ID16DC24V
					2 + 1.75	G79-I200C-175		
					3 + 2.75	G79-I300C-275		
					5 + 4.75	G79-I500C-475		
C200H-OD218	—	32	NPN	1	1 + 0.75	G79-O100C-75	2	G77C-OC16DC24V
					1.5 + 1.25	G79-O150C-125		G70D-SOC16DC24
					2 + 1.75	G79-O200C-175		G70D-VSOC16DC24
					3 + 2.75	G79-O300C-275		G70A-ZOC16-3DC24V
					5 + 4.75	G79-O500C-475		
C200H-OD21B	—	32	PNP	1	1 + 0.75	G79-O100C-75	2	G77C-OC16-1DC24V
					1.5 + 1.25	G79-O150C-125		G70D-SOC16-1
					2 + 1.75	G79-O200C-175		G70A-ZOC16-5
					3 + 2.75	G79-O300C-275		
					5 + 4.75	G79-O500C-475		
C200H-MD215	16	—	NPN/PNP	1	1	G79-100C	1	G77C-IA16AC110120V
					1.5	G79-150C		G77C-ID16DC24V
					2	G79-200C		
					3	G79-300C		
					5	G79-500C		
C200H-MD215	—	16	NPN	1	1	G79-100C	1	G77C-OC16DC24V
					1.5	G79-150C		G70D-SOC16DC24
					2	G79-200C		G70D-VSOC16DC24
					3	G79-300C		G70A-ZOC16-3DC24V
					5	G79-500C		

## ■ CJ1 and CJ1M Systems

### 64-Point Modules

#### Wire Terminal Blocks

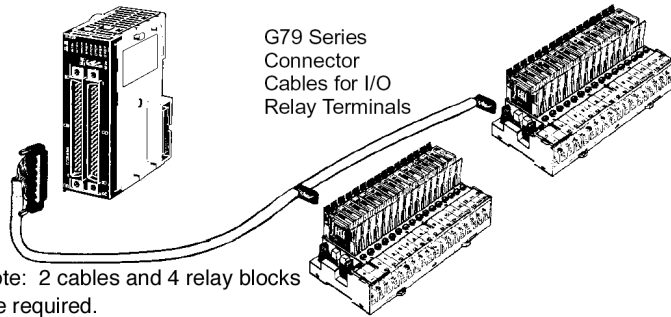


**Stock Note:** Shaded models are normally stocked.

CJ1 and CJ1M: 64-Point Modules										
PLC I/O Modules				Cables			Wire Terminal Blocks			
Model	IN	OUT	Type	Qty	Length (m) for each branch	Model	Qty	Terminal 1		
CJ1W-ID262	32+32	—	NPN/PNP	2	1	XW2Z-100K	2	XW2D-40G6		
					1.5	XW2Z-150K		XW2D-40G6-RM		
					2	XW2Z-200K		XW2B-40G4		
					3	XW2Z-300K		XW2B-40G5		
					5	XW2Z-500K				
CJ1W-ID262	32+32	—	NPN/PNP	2	1	XW2Z-100N	2	XW2B-40G5-T		
					1.5	XW2Z-150N		4	XW2D-20G6	
					2	XW2Z-200N			XW2B-20G5	
					3	XW2Z-300N			XW2B-20G4	
					5	XW2Z-500N			XW2C-20G5-IN16	
						XW2E-20G5-IN16				
							XW2C-20G6-IO16			
CJ1W-OD263	—	32+32	NPN	2	1	XW2Z-100K	2	XW2D-40G6		
					1.5	XW2Z-150K		XW2B-40G4		
					2	XW2Z-200K		XW2B-40G5		
					3	XW2Z-300K				
					5	XW2Z-500K				
CJ1W-OD263	—	32+32	NPN	2	1	XW2Z-100N	4	XW2C-20G6-IO16		
					1.5	XW2Z-150N		XW2B-20G5		
					2	XW2Z-200N		XW2B-20G4		
					3	XW2Z-300N		XW2D-20G6		
					5	XW2Z-500N				
CJ1W-OD263	—	32+32	NPN	2	1	XW2Z-100K	2	XW2B-40G5		
					1.5	XW2Z-150K		XW2B-40G4		
					2	XW2Z-200K		XW2D-40G6		
					3	XW2Z-300K				
					5	XW2Z-500K				

CJ1 and CJ1M: 64-Point Modules								
PLC I/O Modules				Cables			Wire Terminal Blocks	
Model	IN	OUT	Type	Qty	Length (m) for each branch	Model	Qty	Terminal 1
CJ1W-OD263	—	32+32	NPN	2	1	XW2Z-100N	4	XW2D-20G6
					1.5	XW2Z-150N		XW2B-20G5
					2	XW2Z-200N		XW2B-20G4
					3	XW2Z-300N	2	XW2B-40G5-T
					5	XW2Z-500N		
CJ1W-ID261	32+32	—	NPN/PNP	2	0.5	XW2Z-050B	2	XW2D-40G6
					1	XW2Z-100B		XW2B-40G4
					1.5	XW2Z-150B		XW2B-40G5
					2	XW2Z-200B		
					3	XW2Z-300B		
					5	XW2Z-500B		
					7	XW2B-700B		
10	XW2B-010B							
CJ1W-ID261	32+32	—	NPN/PNP	2	1 + 0.75	XW2Z-100D	4	XW2D-20G6
					1.5 + 1.25	XW2Z-150D		XW2B-20G5
					2 + 1.75	XW2Z-200D		XW2B-20G4
					3 + 2.75	XW2Z-300D	2	XW2B-40G5-T
					5 + 4.75	XW2Z-500D		4
					7 + 6.75	XW2Z-700D	XW2E-20G5-IN16	
					10 + 9.75	XW2Z-010D	XW2C-20G6-IO16	
CJ1W-ID262	32+32	—	NPN/PNP	2	1	XW2Z-100N	4	XW2C-20G6-IO16
					1.5	XW2Z-150N		
					2	XW2Z-200N		
					3	XW2Z-300N		
					5	XW2Z-500N		
CJ1W-OD261	—	32+32	NPN	2	0.5	XW2Z-050B	2	XW2D-40G6
					1	XW2Z-100B		1
					1.5	XW2Z-150B	XW2B-40G4	
					2	XW2Z-200B		
					3	XW2Z-300B		
					5	XW2Z-500B		
					7	XW2Z-700B		
					10	XW2Z-010B		

## Relay Terminal Blocks

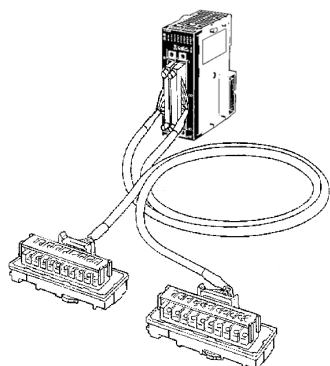


**Stock Note:** Shaded models are normally stocked.

CJ1 and CJ1M: 64-Point Modules									
PLC I/O Modules				Cables			Relay Terminal Blocks		
Model	IN	OUT	Type	Qty	Length (m) for each branch	Model	Qty	Terminal 1	
CJ1W-ID262	32+32	—	NPN/PNP	2	0.5 + 0.25	G79-I50-25-D1	4	G7TC-ID16DC24V	
					0.75 + 0.5	G79-I75-50-D1		G7TC-IA16AC110120V	
CJ1W-OD263	—	32+32	NPN	2	0.5 + 0.25	G79-O50-25-D1	4	G70D-SOC16-1DC24	
					0.75 + 0.5	G79-O75-50-D1		G70A-ZOC16-4DC24V	
CJ1W-ID261	32+32	—	NPN/PNP	2	1 + 0.75	G79-I100C-75	4	G7TC-IA16AC110120V	
					1.5 + 1.25	G79-I150C-125		G7TC-ID16AC24V	
					2 + 1.75	G79-I200C-175			
					3 + 2.75	G79-I300C-275			
					5 + 4.75	G79-I500C-475			
CJ1W-OD261	—	32+32	NPN	2	1 + 0.75	G79-O100C-75	4	G7TC-OC16DC24V	
					1.5 + 1.25	G79-O150C-125		G70D-SOC16DC24	
					2 + 1.75	G79-O200C-175		G70D-VSOC16DC24	
					3 + 2.75	G79-O300C-275		G70A-ZOC16-3DC24V	
					5 + 4.75	G79-O500C-475			

## 32-Point Modules

### Wire Terminal Blocks



**Stock Note:** Shaded models are normally stocked.

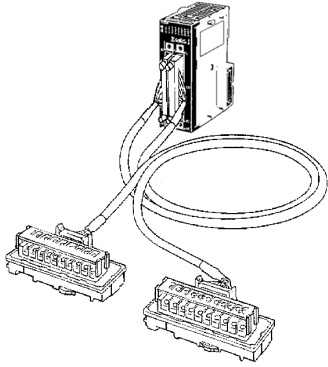
CJ1 and CJ1M: 32-Point Modules								
PLC I/O Modules				Cables			Wire Terminal Blocks	
Model	IN	OUT	Type	Qty	Length (m) for each branch	Model	Qty	Terminal 1
CJ1W-ID231	32	—	NPN/PNP	1	0.5	XW2Z-050B	1	XW2D-40G6
					1	XW2Z-100B		XW2D-40G6-RF
					1.5	XW2Z-150B		XW2B-40G4
					2	XW2Z-200B		XW2B-40G5
					3	XW2Z-300B		
					5	XW2Z-500B		
					7	XW2Z-700B		
CJ1W-ID231	32	—	NPN/PNP	1	1 + 0.75	XW2Z-100D	2	XW2D-20G6
					1.5 + 1.25	XW2Z-150D		XW2B-20G5
					2 + 1.75	XW2Z-200D		XW2B-20G4
					3 + 2.75	XW2Z-300D	1	XW2B-40G5-T
					5 + 4.75	XW2Z-500D	2	XW2C-20G5-IN16
								XW2E-20G5-IN16
			XW2C-20G6-IO16					
CJ1W-ID232	32	—	NPN/PNP	1	1	XW2Z-100K	1	XW2D-40G6
					1.5	XW2Z-150K		XW2D-40G6-RM
					2	XW2Z-200K		XW2B-40G4
					3	XW2Z-300K		XW2B-40G5
					5	XW2Z-500K		
CJ1W-ID232	32	—	NPN/PNP	1	1	XW2Z-100N	1	XW2B-40G5-T
					1.5	XW2Z-150N	2	XW2D-20G6
								XW2B-20G5
								XW2B-20G4
								XW2C-20G5-IN16
3	XW2Z-300N	2	XW2E-20G5-IN16					
			XW2C-20G6-IO16					
5	XW2Z-500N	2						

CJ1 and CJ1M: 32-Point Modules								
PLC I/O Modules				Cables			Wire Terminal Blocks	
Model	IN	OUT	Type	Qty	Length (m) for each branch	Model	Qty	Terminal 1
CJ1W-OD231	—	32	NPN	1	0.5	XW2Z-050B	1	XW2D-40G6
					1	XW2Z-100B		XW2B-40G5
					1.5	XW2Z-150B		XW2B-40G4
					2	XW2Z-200B		
					3	XW2Z-300B		
					5	XW2Z-500B		
					7	XW2Z-700B		
CJ1W-OD232	—	32	PNP	1	1	XW2Z-100K	1	XW2D-40G6
					1.5	XW2Z-150K		XW2B-40G4
					2	XW2Z-200K		XW2B-40G5
					3	XW2Z-300K		
					5	XW2Z-500K		
CJ1W-OD232	—	32	PNP	1	1	XW2Z-100N	2	XW2C-20G6-IO16
					1.5	XW2Z-150N		XW2D-20G6
					2	XW2Z-200N		XW2B-20G5
					3	XW2Z-300N		XW2B-20G4
					5	XW2Z-500N	1	XW2B-40G5-T
CJ1W-OD233	—	32	NPN	1	1	XW2Z-100K	1	XW2D-40G6
					1.5	XW2Z-150K		XW2B-40G4
					2	XW2Z-200K		XW2B-40G5
					3	XW2Z-300K		
					5	XW2Z-500K		
CJ1W-OD233	—	32	NPN	1	1	XW2Z-100N	2	XW2C-20G6-IO16
					1.5	XW2Z-150N		XW2D-20G6
					2	XW2Z-200N		XW2B-20G5
					3	XW2Z-300N		XW2B-20G4
					5	XW2Z-500N	1	XW2B-40G5-T
CJ1W-MD231	16	—	NPN/PNP	1	1	XW2Z-100A	1	XW2D-20G6
					1.5	XW2Z-150A		XW2B-20G5
					2	XW2Z-200A		XW2B-20G4
					3	XW2Z-300A		XW2C-20G5-IN16
					5	XW2Z-500A		XW2E-20G5-IN16
CJ1W-MD231	—	16	NPN	1	1	XW2Z-100A	1	XW2D-20G6
					1.5	XW2Z-150A		XW2B-20G5
					2	XW2Z-200A		XW2B-20G4
					3	XW2Z-300A		XW2C-20G5-IN16
					5	XW2Z-500A		
CJ1W-MD233	16	—	NPN/PNP	1	0.25	G79-O25C	1	XW2D-20G6
					0.5	G79-O50C		XW2B-20G5
						XW2B-20G4		
						XW2C-20G6-IO16		
						XW2C-20G5-IN16		
						XW2E-20G5-IN16		



CJ1 and CJ1M: 32-Point Modules								
PLC I/O Modules				Cables			Wire Terminal Blocks	
Model	IN	OUT	Type	Qty	Length (m) for each branch	Model	Qty	Terminal 1
CJ1W-MD233	—	16	NPN	1	0.25	G79-O25C	1	XW2D-20G6
					0.5	G79-O50C		XW2B-20G5
								XW2B-20G4
								XW2C-20G6-IO16
CJ1W-MD263	32	—	NPN	1	1	XW2Z-100K	1	XW2D-40G6
					1.5	XW2Z-150K		XW2B-40G4
					2	XW2Z-200K		XW2B-40G5
					3	XW2Z-300K		
					5	XW2Z-500K		
CJ1W-MD263	—	32	NPN	1	1	XW2Z-100N	2	XW2C-20G6-IO16
					1.5	XW2Z-150N		XW2D-20G6
					2	XW2Z-200N		XW2B-20G5
					3	XW2Z-300N		XW2B-20G4
					5	XW2Z-500N	1	XW2B-40G5-T
CJ1W-MD563	32	—	NPN	1	1	XW2Z-100K	1	XW2D-40G6
					1.5	XW2Z-150K		XW2B-40G4
					2	XW2Z-200K		XW2B-40G5
					3	XW2Z-300K		
					5	XW2Z-500K		
CJ1W-MD563	—	32	NPN	1	1	XW2Z-100N	2	XW2C-20G6-IO16
					1.5	XW2Z-150N		XW2D-20G6
					2	XW2Z-200N		XW2B-20G5
					3	XW2Z-300N		XW2B-20G4
					5	XW2Z-500N	1	XW2B-40G5-T

Relay Terminal Blocks



**Stock Note:** Shaded models are normally stocked.

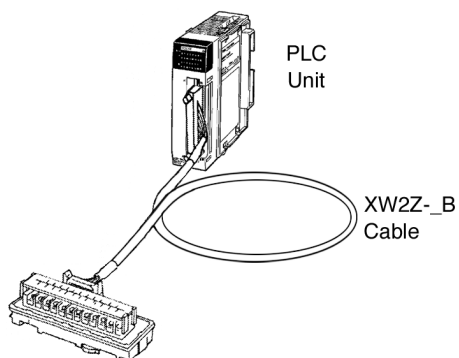
CJ1 and CJ1M: 32-Point Modules								
PLC I/O Modules				Cables			Relay Terminal Blocks	
Model	IN	OUT	Type	Qty	Length (m) for each branch	Model	Qty	Terminal 1
CJ1W-ID231	32	—	NPN/PNP	1	1 + 0.75	G79-I100C-75	2	G7TC-IA16AC110120V
					1.5 + 1.25	G79-I150C-125		G7TC-ID16AC24V
					2 + 1.75	G79-I200C-175		
					3 + 2.75	G79-I300C-275		
					5 + 4.75	G79-I500C-475		
CJ1W-ID232	32	—	NPN/PNP	1	0.5 + 0.25	G79-I50-25-D1	1	G7TC-ID16AC24V
					0.75 + 0.5	G79-I75-50-D1		G7TC-IA16AC110120V
CJ1W-OD231	—	32	NPN	1	1 + 0.75	G79-O100C-75	2	G7TC-OC16DC24V
					1.5 + 1.25	G79-O150C-125		G70D-SOC16DC24V
					2 + 1.75	G79-O200C-175		G70D-VSOC16DC24
					3 + 2.75	G79-O300C-275		G70A-ZOC16-3DC24V
					5 + 4.75	G79-O500C-475		
CJ1W-OD232	—	32	PNP	1	0.5 + 0.25	G79-I50-25-D1	2	G70D-SOC16-1DC24
					0.75 + 0.5	G79-I75-50-D1		G7TC-OC16-1DC24V
CJ1W-OD233	—	32	NPN	1	0.5 + 0.25	G79-O50-25-D1	2	G70D-SOC16-1
					0.75 + 0.5	G79-O75-50-D1		G70A-ZOC16-4DC24V
								G7TC-OC16DC24V
CJ1W-MD231	16	—	NPN/PNP	1	1	G79-100C	1	G7TC-ID16DC24V
					1.5	G79-150C		G7TC-IA16AC110120V
					2	G79-200C		
					3	G79-300C		
					5	G79-500C		

CJ1 and CJ1M: 32-Point Modules									
PLC I/O Modules				Cables			Relay Terminal Blocks		
Model	IN	OUT	Type	Qty	Length (m) for each branch	Model	Qty	Terminal 1	
CJ1W-MD231	—	16	NPN	1	1	G79-100C	1	G70D-SOC16DC24V	
					1.5	G79-150C		G70A-ZOC16-3DC24V	
					2	G79-200C		G70D-VSOC16DC24V	
					3	G79-300C			
					5	G79-500C			
CJ1W-MD233	16	—	NPN/PNP	1	0.5	G79-O50C	1	G7TC-ID16DC24V	
								G7TC-IA16AC110120V	
CJ1W-MD233	—	16	NPN	1	0.5	G79-O50C	1	G70D-SOC16DC24V	
								G70D-VSOC16DC24V	
								G70A-ZOC16-3DC24V	
CJ1W-MD263	—	32	NPN	1	0.5 + 0.25	G79-O50-25-D1	2	G70D-SOC16-1	
					0.75 + 0.5	G79-O75-50-D1		G70D-VSOC16DC24V	
									G70A-ZOC16-4DC24V
									G7TC-OC16DC24V

## ■ CQM1H Systems

### 32-Point Modules

#### Wire Terminal Blocks



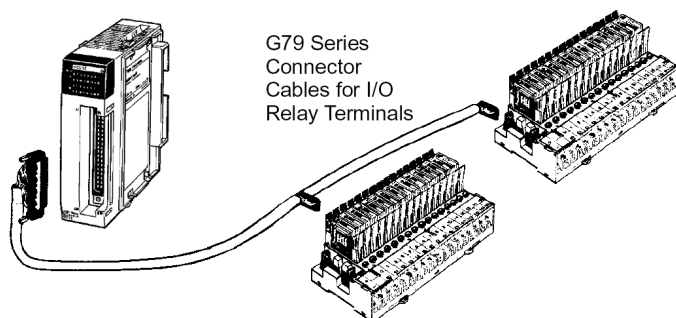
**Stock Note:** Shaded models are normally stocked.

CQM1H: 32-Point Modules									
PLC I/O Modules				Cables			Wire Terminal Blocks		
Model	IN	OUT	Type	Qty	Length (m) for each branch	Model	Qty	Terminal 1	
CQM1-ID213	32	—	NPN/PNP	1	0.5	XW2Z-050B	1	XW2D-40G6	
					1	XW2Z-100B		XW2B-40G4	
					1.5	XW2Z-150B		XW2B-40G5	
					2	XW2Z-200B			
					3	XW2Z-300B			
					5	XW2Z-500B			
					7	XW2Z-700B			

CQM1H: 32-Point Modules								
PLC I/O Modules				Cables			Wire Terminal Blocks	
Model	IN	OUT	Type	Qty	Length (m) for each branch	Model	Qty	Terminal 1
CQM1-ID213	32	—	NPN/PNP	1	1 + 0.75	XW2Z-100D	2	XW2D-20G6
					1.5 + 1.25	XW2Z-150D		XW2B-20G5
					2 + 1.75	XW2Z-200D		XW2B-20G4
					3 + 2.75	XW2Z-300D		XW2E-20G5-IN16
					5 + 4.75	XW2Z-500D		XW2C-20G6-IO16
							1	XW2B-40G5-T
CQM1-OD213	—	32	NPN	1	0.5	XW2Z-050B	1	XW2D-40G6
					1	XW2Z-100B		XW2B-40G4
					1.5	XW2Z-150B		XW2B-40G5
					2	XW2Z-200B		
					3	XW2Z-300B		
					5	XW2Z-500B		
					7	XW2Z-700B		
CQM1-ID214	32	—	NPN/PNP	1	0.5	XW2Z-050B	1	XW2D-40G6
					1	XW2Z-100B		XW2B-40G4
					1.5	XW2Z-150B		XW2B-40G5
					2	XW2Z-200B		
					3	XW2Z-300B		
					5	XW2Z-500B		
					7	XW2Z-700B		
CQM1-ID214	32	—	NPN/PNP	1	1 + 0.75	XW2Z-100D	2	XW2D-20G6
					1.5 + 1.25	XW2Z-150D		XW2B-20G5
					2 + 1.75	XW2Z-200D		XW2B-20G4
					3 + 2.75	XW2Z-300D	1	XW2B-40G5-T
					5 + 4.75	XW2Z-500D		XW2E-20G5-IN16
							2	XW2C-20G6-IO16
CQM1-ID112	32	—	NPN/PNP	1	0.5	XW2Z-050B	1	XW2D-40G6
					1	XW2Z-100B		XW2B-40G4
					1.5	XW2Z-150B		XW2B-40G5
					2	XW2Z-200B		
					3	XW2Z-300B		
					5	XW2Z-500B		
					7	XW2Z-700B		
CQM1-ID112	32	—	NPN/PNP	1	1 + 0.75	XW2Z-100D	2	XW2D-20G6
					1.5 + 1.25	XW2Z-150D		XW2B-20G5
					2 + 1.75	XW2Z-200D		XW2B-20G4
					3 + 2.75	XW2Z-300D	1	XW2B-40G5-T
					5 + 4.75	XW2Z-500D		XW2E-20G5-IN16
							2	XW2C-20G6-IO16

CQM1H: 32-Point Modules									
PLC I/O Modules				Cables			Wire Terminal Blocks		
Model	IN	OUT	Type	Qty	Length (m) for each branch	Model	Qty	Terminal 1	
CQM1-OD216	—	32	PNP	1	0.5	XW2Z-050B	1	XW2D-40G6	
					1	XW2Z-100B		XW2B-40G4	
					1.5	XW2Z-150B		XW2B-40G5	
					2	XW2Z-200B			
					3	XW2Z-300B			
					5	XW2Z-500B			
					7	XW2Z-700B			

**Relay Terminal Blocks**



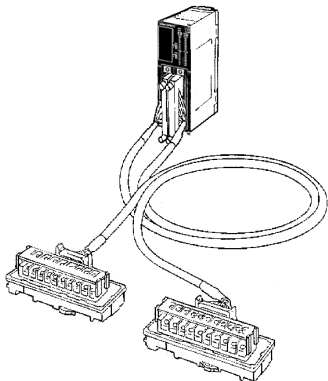
**Stock Note:** Shaded models are normally stocked.

CQM1H: 32-Point Modules									
PLC I/O Modules				Cables			Relay Terminal Blocks		
Model	IN	OUT	Type	Qty	Length (m) for each branch	Model	Qty	Terminal 1	
CQM1-ID213	32	—	NPN/PNP	1	1 + 0.75	G79-I100C-75	2	G7TC-IA16AC110120V	
					1.5 + 1.25	G79-I150C-125		G7TC-ID16DC24V	
					2 + 1.75	G79-I200C-175			
					3 + 2.75	G79-I300C-275			
					5 + 4.75	G79-I500C-475			
CQM1-ID214	32	—	NPN/PNP	1	1 + 0.75	G79-I100C-75	2	G7TC-IA16AC110120V	
					1.5 + 1.25	G79-I150C-125		G7TC-ID16DC24V	
					2 + 1.75	G79-I200C-175			
					3 + 2.75	G79-I300C-275			
					5 + 4.75	G79-I500C-475			
CQM1-OD213	—	32	NPN	1	1 + 0.75	G79-O100C-75	2	G7TC-OC16DC24V	
					1.5 + 1.25	G79-O150C-125		G70D-SOC16DC24	
					2 + 1.75	G79-O200C-175		G70D-VSOC16DC24	
					3 + 2.75	G79-O300C-275		G70A-ZOC16-3DC24V	
					5 + 4.75	G79-O500C-475			

## ■ CPM2C Systems

### 32-Point CPUs

#### Wire Terminal Blocks

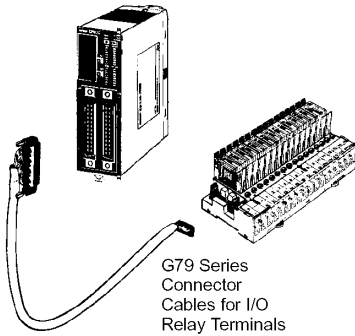


**Stock Note:** Shaded models are normally stocked.

CPM2C: 32-Point CPUs									
PLC Modules				Cables			Wire Terminal Blocks		
Model	IN	OUT	Type	Qty	Length (m) each branch	Model	Qty	Terminal 1	
CPM2C-32C□DTC-D	16	—	NPN/PNP	1	1	G79-100C	1	XW2D-20G6	
					1.5	G79-150C		XW2B-20G4	
					2	G79-200C		XW2B-20G5	
					3	G79-300C			
					5	G79-500C			
CPM2C-32C□DTC-D	16	—	NPN/PNP	1	1	XW2Z-100A	1	XW2D-20G6	
					1.5	XW2Z-150A		XW2B-20G4	
					2	XW2Z-200A		XW2B-20G5	
					3	XW2Z-300A		XW2C-20G5-IN16	
					5	XW2Z-500A		XW2E-20G6-IO16	
CPM2C-32C□DTC-D	—	16	NPN	1	1	G79-100C	1	XW2B-20G4	
					1.5	G79-150C		XW2B-20G5	
					2	G79-200C		XW2D-20G6	
					3	G79-300C			
					5	G79-500C			
CPM2C-32C□DTC-D	—	16	NPN	1	1	XW2Z-100A	1	XW2B-20G4	
					1.5	XW2Z-150A		XW2B-20G5	
					2	XW2Z-200A		XW2D-20G6	
					3	XW2Z-300A		XW2C-20G6-IO16	
					5	XW2Z-500A			
CPM2C-32C□DT1C-D	16	—	NPN/PNP	1	1	G79-100C	1	XW2D-20G6	
					1.5	G79-150C		XW2B-20G4	
					2	G79-200C		XW2B-20G5	
					3	G79-300C			
					5	G79-500C			

CPM2C: 32-Point CPUs								
PLC Modules				Cables			Wire Terminal Blocks	
Model	IN	OUT	Type	Qty	Length (m) each branch	Model	Qty	Terminal 1
CPM2C-32C□DT1C-D	16	—	NPN/PNP	1	1	XW2Z-100A	1	XW2B-20G4
					1.5	XW2Z-150A		XW2D-20G5
					2	XW2Z-200A		XW2D-20G6
					3	XW2Z-300A		XW2C-20G5-IN16
					5	XW2Z-500A		XW2C-20G6-IO16
					7	XW2Z-700A		
					10	XW2Z-010A		
CPM2C-32C□DT1C-D	—	16	PNP	1	1	G79-100C	1	XW2B-20G4
					1.5	G79-150C		XW2B-20G5
					2	G79-200C		XW2D-20G6
					3	G79-300C		
					5	G79-500C		
CPM2C-32C□DT1C-D	—	16	PNP	1	1	XW2Z-100A	1	XW2B-20G4
					1.5	XW2Z-150A		XW2B-20G5
					2	XW2Z-200A		XW2D-20G6
					3	XW2Z-300A		XW2C-20G6-IO16
					5	XW2Z-500A		
CPM2C-32CDTM-D	16	—	NPN/PNP	1	0.25	G79-O25C	1	XW2B-20G4
					0.5	G79-O50C		XW2B-20G5
								XW2D-20G6
CPM2C-32CDTM-D	—	16	NPN	1	0.25	G79-O25C	1	XW2B-20G4
					0.5	G79-O50C		XW2B-20G5
								XW2D-20G6
CPM2C-32CDT1M-D	16	—	NPN/PNP	1	0.25	G79-O25C	1	XW2B-20G4
					0.5	G79-O50C		XW2B-20G5
								XW2D-20G6
CPM2C-32CDT1M-D	—	16	PNP	1	0.25	G79-O25C	1	XW2B-20G4
					0.5	G79-O50C		XW2B-20G5
								XW2D-20G6

Relay Terminal Blocks



Note: Requires 2 cables and 2 relay blocks.

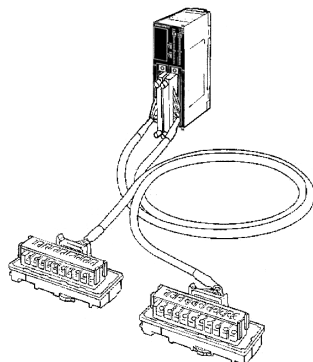
Stock Note: Shaded models are normally stocked.

CPM2C: 32-Point CPUs									
PLC I/O Modules				Cables			Relay Terminal Blocks		
Model	IN	OUT	Type	Qty	Length (m) for each branch	Model	Qty	Terminal 1	
CPM2C-32C□DTC-D	16	—	NPN/PNP	1	1	G79-100C	1	G7TC-IA16AC110120V	
					1.5	G79-150C		G7TC-ID16DC24V	
					2	G79-200C			
					3	G79-300C			
					5	G79-500C			
CPM2C-20C□DTC-D	—	16	NPN	1	1	G79-100C	1	G7TC-OC16CD24V	
					1.5	G79-150C		G70D-VSOC16DC24V	
					2	G79-200C		G70D-SOC16DC24	
					3	G79-300C		G70D-FOM16DC24	
					5	G79-500C		G70A-ZOC16-3	
CPM2C-20C□D1TC-D	16	—	NPN/PNP	1	1	G79-100C	1	G7TC-IA16AC110120V	
					1.5	G79-150C		G7TC-ID16DC24V	
					2	G79-200C			
					3	G79-300C			
					5	G79-500C			
CPM2C-20C□D1TC-D	—	16	PNP	1	1	G79-100C	1	G7TC-OC16-1DC24V	
					1.5	G79-150C			
					2	G79-200C			
					3	G79-300C			
					5	G79-500C			
CPM2C-32CDTM-D	16	—	NPN/PNP	1	0.25	G79-O25C	1	G7TC-IA16AC110120V	
					0.5	G79-O50C		G7TC-ID16DC24V	
CPM2C-32CDTM-D	—	16	NPN	1	0.25	G79-O25C	1	G7TC-OC16DC24V	
					0.5	G79-O50C		G70D-VSOC16DC24V	
								G70D-SOC16DC24	
							G70D-FOM16DC24		
CPM2C-32CDT1M-D	16	—	NPN/PNP	1	0.25	G79-O25C	1	G7TC-IA16AC110120V	
					0.5	G79-O50C		G7TC-ID16DC24V	
CPM2C-32CDT1M-D	—	16	PNP	1	0.25	G79-O25C	1	G7TC-OC16-1DC24V	
					0.5	G79-O50C		G70A-ZOC16-4DC24V	
CPM2C-32CDT1M-D	—	16	PNP	1	0.25	G79-O25C	1	G70A-ZOC16-4DC24V	
					0.5	G79-O50C			



## 20-Point CPUs

### Wire Terminal Blocks

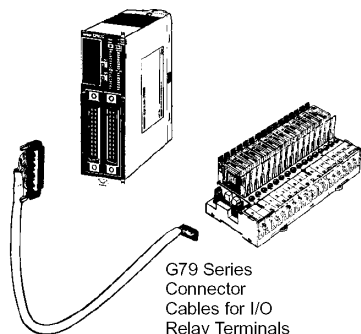


**Stock Note:** Shaded models are normally stocked.

CPM2C: 20-Point CPUs									
PLC Modules				Cables			Wire Terminal Blocks		
Model	IN	OUT	Type	Qty	Length (m) each branch	Model	Qty	Terminal 1	
CPM2C-20CxDTG-D	12	—	NPN/PNP	1	1	G79-100C	1	XW2D-20G6	
					1.5	G79-150C		XW2B-20G4	
					2	G79-200C		XW2B-20G5	
					3	G79-300C			
					5	G79-500C			
CPM2C-20CxDTG-D	12	—	NPN/PNP	1	1	XW2Z-100A	1	XW2D-20G6	
					1.5	XW2Z-150A		XW2B-20G4	
					2	XW2Z-200A		XW2B-20G5	
					3	XW2Z-300A		XW2C-20G5-IN16	
					5	XW2Z-500A		XW2E-20G5-IN16	
CPM2C-20CxDTG-D	—	8	NPN	1	1	G79-100C	1	XW2D-20G6	
					1.5	G79-150C		XW2B-20G4	
					2	G79-200C		XW2B-20G5	
					3	G79-300C			
					5	G79-500C			
CPM2C-20CxDTG-D	—	8	NPN	1	1	XW2Z-100A	1	XW2D-20G6	
					1.5	XW2Z-150A		XW2B-20G4	
					2	XW2Z-200A		XW2B-20G5	
					3	XW2Z-300A			
					5	XW2Z-500A			
CPM2C-20CxDTM-D	12	—	NPN/PNP	1	0.25	G79-O25C	1	XW2D-20G6	
					0.5	G79-O50C		XW2B-20G4	
CPM2C-20CxDTM-D	12	—	NPN/PNP	1	1	XW2Z-100A	1	XW2C-20G5-IN16	
					1.5	XW2Z-150A		XW2E-20G5-IN16	
					2	XW2Z-200A			
					3	XW2Z-300A			
					5	XW2Z-500A			

CPM2C: 20-Point CPUs								
PLC Modules				Cables			Wire Terminal Blocks	
Model	IN	OUT	Type	Qty	Length (m) each branch	Model	Qty	Terminal 1
CPM2C-20CxDTM-D	—	8	NPN	1	0.25	G79-O25C	1	XW2D-20G6
					0.5	G79-O50C		XW2B-20G4
								XW2B-20G5
CPM2C-20CxDT1C-D	12	—	NPN/PNP	1	1	G79-100C	1	XW2D-20G6
					1.5	G79-150C		XW2B-20G4
					2	G79-200C		XW2B-20G5
					3	G79-300C		
					5	G79-500C		
CPM2C-20CxDT1C-D	12	—	NPN/PNP	1	1	XW2Z-100A	1	XW2D-20G6
					1.5	XW2Z-150A		XW2B-20G4
					2	XW2Z-200A		XW2B-20G5
					3	XW2Z-300A		XW2C-20G5-IN16
					5	XW2Z-500A		XW2E-20G5-IN16
CPM2C-20CxDT1C-D	—	8	PNP	1	1	G79-100C	1	XW2D-20G6
					1.5	G79-150C		XW2B-20G4
					2	G79-200C		XW2B-20G5
					3	G79-300C		
					5	G79-500C		
CPM2C-20CxDT1C-D	—	8	PNP	1	1	XW2Z-100A	1	XW2D-20G6
					1.5	XW2Z-150A		XW2B-20G4
					2	XW2Z-200A		XW2B-20G5
					3	XW2Z-300A		
					5	XW2Z-500A		
CPM2C-20CxDT1M-D	12	—	NPN/PNP	1	0.25	G79-O25C	1	XW2D-20G6
					0.5	G79-O50C		XW2B-20G4
								XW2B-20G5
CPM2C-20CxDT1M-D	12	—	NPN/PNP	1	1	XW2Z-100A	1	XW2C-20G5-IN16
					1.5	XW2Z-150A		XW2E-20G5-IN16
					2	XW2Z-200A		
					3	XW2Z-300A		
					5	XW2Z-500A		
CPM2C-20CxDT1M-D	—	8	PNP	1	0.25	G79-O25C	1	XW2D-20G6
					0.5	G79-O50C		XW2B-20G4
								XW2B-20G5

Relay Terminal Blocks



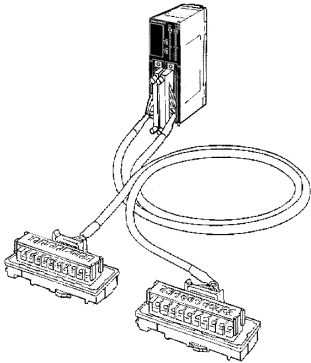
Note: Requires 2 cables and 2 relay blocks.

Stock Note: Shaded models are normally stocked.

CPM2C: 20-Point CPUs									
PLC Modules				Cables			Relay Terminal Blocks		
Model	IN	OUT	Type	Qty	Length (m) each branch	Model	Qty	Terminal 1	
CPM2C-20CxDTC-D	12	—	NPN/PNP	1	1	G79-100C	1	G7TC-IA16AC110120V	
					1.5	G79-150C		G7TC-ID16DC24V	
					2	G79-200C			
					3	G79-300C			
					5	G79-500C			
CPM2C-20CxDTC-D	—	8	NPN	1	1	G79-100C	1	G7TC-OC16DC24V	
					1.5	G79-150C		G70D-SOC16DC24	
					2	G79-200C		G70D-VSOC16DC24	
					3	G79-300C		G70A-ZOC16-3DC24V	
					5	G79-500C			
CPM2C-20CxDTM-D	12	—	NPN/PNP	1	0.25	G79-O25C	1	G7TC-IA16AC110120V	
					0.5	G79-O50C		G7TC-ID16DC24V	
CPM2C-20CxDTM-D	—	8	NPN	1	0.25	G79-O25C	1	G7TC-OC16DC24V	
					0.5	G79-O50C		G70D-SOC16DC24	
CPM2C-20CxDT1C-D	12	—	NPN/PNP	1	1	G79-100C	1	G7TC-IA16AC110120V	
					1.5	G79-150C		G7TC-ID16DC24V	
					2	G79-200C			
					3	G79-300C			
					5	G79-500C			
CPM2C-20CxDT1C-D	—	8	PNP	1	1	G79-100C	1	G7TC-OC16-1	
					1.5	G79-150C		G70D-SOC16-1	
					2	G79-200C			
					3	G79-300C			
					5	G79-500C			
CPM2C-20CxDT1M-D	12	—	NPN/PNP	1	0.25	G79-O25C	1	G7TC-IA16AC110120V	
					0.5	G79-O50C		G7TC-ID16DC24V	
CPM2C-20CxDT1M-D	—	8	PNP	1	0.25	G79-O25C	1	G7TC-OC16-1DC24V	
					0.5	G79-O50C		G70D-SOC16-1DC24	
CPM2C-20CxDT1M-D	—	8	PNP	1	0.25	G79-I25C	1	G70A-ZOC16-4DC24V	
					0.5	G79-I50C			

## 10-Point CPUs

### Wire Terminal Blocks

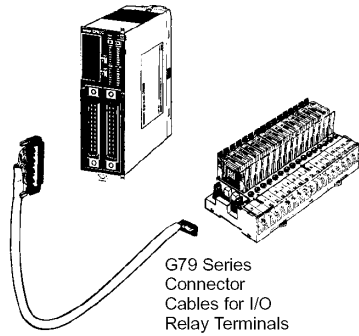


**Stock Note:** Shaded models are normally stocked.

CPM2C: 10-Point CPUs									
PLC I/O Modules				Cables			Wire Terminal Blocks		
Model	IN	OUT	Type	Qty	Length (m) for each branch	Model	Qty	Terminal 1	
CPM2C-10CxDTC-D	6	—	NPN/PNP	1	1	G79-100C	1	XW2D-20G6	
					1.5	G79-150C		XW2B-20G4	
					2	G79-200C		XW2B-20G5	
					3	G79-300C			
					5	G79-500C			
CPM2C-10CxDTC-D	6	—	NPN/PNP	1	1	XW2Z-100A	1	XW2D-20G6	
					1.5	XW2Z-150A		XW2B-20G4	
					2	XW2Z-200A		XW2B-20G5	
					3	XW2Z-300A		XW2C-20G5-IN16	
					5	XW2Z-500A		XW2E-20G5-IN16	
CPM2C-10CxDTC-D	—	4	NPN	1	1	G79-100C	1	XW2D-20G6	
					1.5	G79-150C		XW2B-20G4	
					2	G79-200C		XW2B-20G5	
					3	G79-300C			
					5	G79-500C			
CPM2C-10CxDTC-D	—	4	NPN	1	1	XW2Z-100A	1	XW2D-20G6	
					1.5	XW2Z-150A		XW2B-20G4	
					2	XW2Z-200A		XW2B-20G5	
					3	XW2Z-300A			
					5	XW2Z-500A			
CPM2C-10CxDTM-D	6	—	NPN/PNP	1	0.25	G79-O25C	1	XW2D-20G6	
					0.5	G79-O50C		XW2B-20G4	
CPM2C-10CxDTM-D	6	—	NPN/PNP	1	1	XW2Z-100A	1	XW2C-20G5-IN16	
					1.5	XW2Z-150A		XW2E-20G5-IN16	
					2	XW2Z-200A			
					3	XW2Z-300A			
					5	XW2Z-500A			

CPM2C: 10-Point CPUs								
PLC I/O Modules				Cables			Wire Terminal Blocks	
Model	IN	OUT	Type	Qty	Length (m) for each branch	Model	Qty	Terminal 1
CPM2C-10CxDTM-D	—	4	NPN	1	0.25	G79-O25C	1	XW2D-20G6
					0.5	G79-O50C		XW2B-20G4
								XW2B-20G5
CPM2C-10CxDT1C-D	6	—	NPN/PNP	1	1	G79-100C	1	XW2D-20G6
					1.5	G79-150C		XW2B-20G4
					2	G79-200C		XW2B-20G5
					3	G79-300C		
					5	G79-500C		
CPM2C-10CxDT1C-D	6	—	NPN/PNP	1	1	XW2Z-100A	1	XW2D-20G6
					1.5	XW2Z-150A		XW2B-20G4
					2	XW2Z-200A		XW2B-20G5
					3	XW2Z-300A		XW2C-20G5-IN16
					5	XW2Z-500A		XW2E-20G5-IN16
CPM2C-10CxDT1C-D	—	4	PNP	1	1	G79-100C	1	XW2D-20G6
					1.5	G79-150C		XW2B-20G4
					2	G79-200C		XW2B-20G5
					3	G79-300C		
					5	G79-500C		
CPM2C-10CxDT1C-D	—	4	PNP	1	1	XW2Z-100A	1	XW2D-20G6
					1.5	XW2Z-150A		XW2B-20G4
					2	XW2Z-200A		XW2B-20G5
					3	XW2Z-300A		
					5	XW2Z-500A		
CPM2C-10CxDT1M-D	6	—	NPN/PNP	1	0.5	G79-O50C	1	XW2D-20G6
								XW2B-20G4
								XW2B-20G5
CPM2C-10CxDT1M-D	6	—	NPN/PNP	1	1	XW2Z-100A	1	XW2C-20G5-IN16
					1.5	XW2Z-150A		XW2E-20G5-IN16
					2	XW2Z-200A		
					3	XW2Z-300A		
					5	XW2Z-500A		
					7	XW2Z-700A		
10	XW2Z-010A							
CPM2C-10CxDT1M-D	—	4	PNP	1	0.5	G79-O50C	1	XW2D-20G6
								XW2B-20G4
								XW2B-20G5

Relay Terminal Blocks



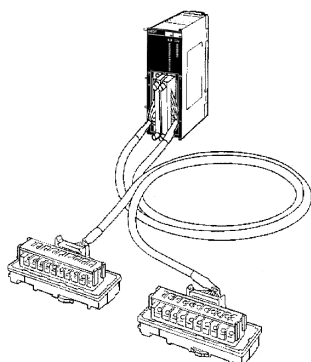
Note: Requires 2 cables and 2 relay blocks.

Stock Note: Shaded models are normally stocked.

CPM2C: 10-Point CPUs								
PLC I/O Modules				Cables			Relay Terminal Blocks	
Model	IN	OUT	Type	Qty	Length (m) for each branch	Model	Qty	Terminal 1
CPM2C-10CxDTC-D	6	—	NPN/PNP	1	1	G79-100C	1	G7TC-IA16AC110120V
					1.5	G79-150C		G7TC-ID16DC24V
					2	G79-200C		
					3	G79-300C		
					5	G79-500C		
CPM2C-10CxDTC-D	—	4	NPN	1	1	G79-100C	1	G7TC-OC16DC24V
					1.5	G79-150C		G70D-SOC16DC24
					2	G79-200C		G70D-VSOC16DC24
					3	G79-300C		G70A-ZOC16-3DC24
					5	G79-500C		
CPM2C-10CxDTM-D	6	—	NPN/PNP	1	0.25	G79-O25C	1	G7TC-IA16AC110120V
					0.5	G79-O50C		G7TC-ID16DC24V
CPM2C-10CxDTM-D	—	4	NPN	1	0.25	G79-O25C	1	G7TC-OC16DC24V
					0.5	G79-O50C		G70D-SOC16DC24
CPM2C-10CxDT1C-D	6	—	NPN/PNP	1	1	G79-100C	1	G7TC-IA16AC110120V
					1.5	G79-150C		G7TC-ID16DC24V
					2	G79-200C		
					3	G79-300C		
					5	G79-500C		
CPM2C-10CxDT1C-D	—	4	PNP	1	1	G79-100C	1	G7TC-OC16-1DC24V
					1.5	G79-150C		G70D-SOC16-1DC24
					2	G79-200C		
					3	G79-300C		
					5	G79-500C		
CPM2C-10CxDT1M-D	6	—	NPN/PNP	1	0.25	G79-O25C	1	G7TC-IA16AC110120V
					0.5	G79-O50C		G7TC-ID16DC24V
CPM2C-10CxDT1M-D	—	4	PNP	1	0.25	G79-O25C	1	G7TC-OC16-1DC24V
					0.5	G79-O50C		G70D-SOC16-1DC24
CPM2C-10CxDT1M-D	—	4	PNP	1	0.25	G79-I25C	1	G70A-ZOC16-4DC24V
					0.5	G79-I50C		

## 32-Point Expansion

### Wire Terminal Blocks



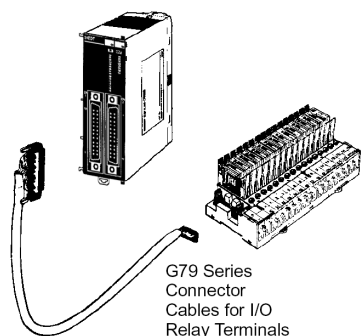
**Stock Note:** Shaded models are normally stocked.

CPM2C: 32-Point Expansion									
PLC Modules				Cables			Wire Terminal Blocks		
Model	IN	OUT	Type	Qty	Length (m) each branch	Model	Qty	Terminal 1	
CPM2C-32EDTC	16	—	NPN/PNP	1	1	G79-100C	1	XW2D-20G6	
					1.5	G79-150C		XW2B-20G4	
					2	G79-200C		XW2B-20G5	
					3	G79-300C			
					5	G79-500C			
CPM2C-32EDTC	16	—	NPN/PNP	1	1	XW2Z-100A	1	XW2D-20G6	
					1.5	XW2Z-150A		XW2B-20G4	
					2	XW2Z-200A		XW2B-20G5	
					3	XW2Z-300A		XW2C-20G5-IN16	
					5	XW2Z-500A		XW2E-20G6-IO16	
					7	XW2Z-700A			
CPM2C-32EDTC	—	16	NPN	1	1	G79-100C	1	XW2B-20G4	
					1.5	G79-150C		XW2B-20G5	
					2	G79-200C		XW2D-20G6	
					3	G79-300C			
					5	G79-500C			
CPM2C-32EDTC	—	16	NPN	1	1	XW2Z-100A	1	XW2B-20G4	
					1.5	XW2Z-150A		XW2B-20G5	
					2	XW2Z-200A		XW2D-20G6	
					3	XW2Z-300A		XW2C-20G6-IO16	
					5	XW2Z-500A			
CPM2C-32EDT1C	16	—	NPN/PNP	1	1	G79-100C	1	XW2D-20G6	
					1.5	G79-150C		XW2B-20G4	
					2	G79-200C		XW2B-20G5	
					3	G79-300C			
					5	G79-500C			

CPM2C: 32-Point Expansion								
PLC Modules				Cables			Wire Terminal Blocks	
Model	IN	OUT	Type	Qty	Length (m) each branch	Model	Qty	Terminal 1
CPM2C-32EDT1C	16	—	NPN/PNP	1	1	XW2Z-100A	1	XW2B-20G4
					1.5	XW2Z-150A		XW2B-20G5
					2	XW2Z-200A		XW2D-20G6
					3	XW2Z-300A		XW2C-20G5-IN16
					5	XW2Z-500A		XW2C-20G6-IO16
CPM2C-32EDT1C	—	16	PNP	1	1	G79-100C	1	XW2B-20G4
					1.5	G79-150C		XW2B-20G5
					2	G79-200C		XW2D-20G6
					3	G79-300C		
					5	G79-500C		
CPM2C-32EDT1C	—	16	PNP	1	1	XW2Z-100A	1	XW2B-20G4
					1.5	XW2Z-150A		XW2B-20G5
					2	XW2Z-200A		XW2D-20G6
					3	XW2Z-300A		XW2C-20G6-IO16
					5	XW2Z-500A		
CPM2C-32EDTM	16	—	NPN/PNP	1	0.25	G79-O25C	1	XW2B-20G4
					0.5	G79-O50C		XW2B-20G5
								XW2D-20G6
CPM2C-32EDTM	—	16	NPN	1	0.25	G79-O25C	1	XW2B-20G4
					0.5	G79-O50C		XW2B-20G5
								XW2D-20G6
CPM2C-32EDT1M	16	—	NPN/PNP	1	0.25	G79-O25C	1	XW2B-20G4
					0.5	G79-O50C		XW2B-20G5
								XW2D-20G6
CPM2C-32EDT1M	—	16	PNP	1	0.25	G79-O25C	1	XW2B-20G4
					0.5	G79-O50C		XW2B-20G5
								XW2D-20G6



## Relay Terminal Blocks



Note: 2 cables and 2 relay blocks required.

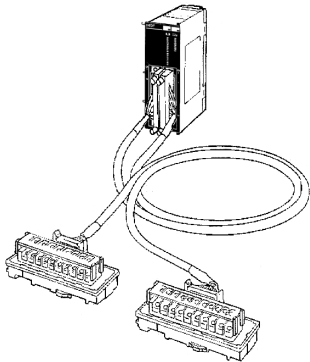
**Stock Note:** Shaded models are normally stocked.

CPM2C: 32-Point Expansion								
PLC Modules				Cables			Relay Terminal Blocks	
Model	IN	OUT	Type	Qty	Length (m) each branch	Model	Qty	Terminal 1
CPM2C-32EDTC	16	—	NPN/PNP	1	1	G79-100C	1	G7TC-IA16AC110120V
					1.5	G79-150C		G7TC-ID16DC24V
					2	G79-200C		
					3	G79-300C		
					5	G79-500C		
CPM2C-32EDTC	—	16	NPN	1	1	G79-100C	1	G7TC-OC16DC24V
					1.5	G79-150C		G70D-SOC16DC24
					2	G79-200C		G70D-VSOC16DC24
					3	G79-300C		G70D-FOM16DC24
					5	G79-500C		G70A-ZOC16-3DC24V
CPM2C-32EDT1C	16	—	NPN/PNP	1	1	G79-100C	1	G7TC-IA16AC110120V
					1.5	G79-150C		G7TC-ID16DC24V
					2	G79-200C		
					3	G79-300C		
					5	G79-500C		
CPM2C-32EDT1C	—	16	PNP	1	1	G79-100C	1	G7TC-OC16-1
					1.5	G79-150C		
					2	G79-200C		
					3	G79-300C		
					5	G79-500C		
CPM2C-32EDTM	16	—	NPN/PNP	1	0.25	G79-O25C	1	G7TC-IA16AC110120V
					0.5	G79-O50C		G7TC-ID16DC24V
CPM2C-32EDTM	—	16	NPN	1	0.25	G79-O25C	1	G7TC-OC16DC24V
						G79-O50C		G70D-SOC16DC24
						G70D-VSOC16DC24		
						G70D-FOM16		
CPM2C-32EDT1M	16	—	NPN/PNP	1	0.25	G79-O25C	1	G7TC-IA16AC110120V
					0.5	G79-O50C		G7TC-ID16DC24V
CPM2C-32EDT1M	—	16	PNP	1	0.25	G79-O25C	1	G7TC-OC16-1
					0.5	G79-O50C		G70A-ZOC16-4DC24V

CPM2C: 32-Point Expansion								
PLC Modules				Cables			Relay Terminal Blocks	
Model	IN	OUT	Type	Qty	Length (m) each branch	Model	Qty	Terminal 1
CPM2C-32EDT1M	—	16	PNP	1	0.25	G79-I25C	1	G70A-ZOC16-4DC24V
					0.5	G79-I50C		

## 24-Point Expansion

### Wire Terminal Blocks

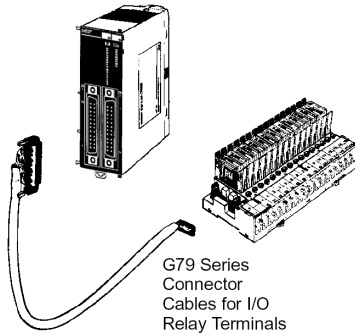


**Stock Note:** Shaded models are normally stocked.

CPM2C: 24-Point Expansion								
PLC Modules				Cables			Wire Terminal Blocks	
Model	IN	OUT	Type	Qty	Length (m) each branch	Model	Qty	Terminal 1
CPM2C-24EDTC	16	—	NPN/PNP	1	1	G79-100C	1	XW2D-20G6
					1.5	G79-150C		XW2B-20G4
					2	G79-200C		XW2B-20G5
					3	G79-300C		
					5	G79-500C		
CPM2C-24EDTC	16	—	NPN/PNP	1	1	XW2Z-100A	1	XW2D-20G6
					1.5	XW2Z-150A		XW2B-20G4
					2	XW2Z-200A		XW2B-20G5
					3	XW2Z-300A		XW2C-20G5-IN16
					5	XW2Z-500A		XW2E-20G5-IN16
CPM2C-24EDTC	—	8	NPN	1	1	G79-100C	1	XW2D-20G6
					1.5	G79-150C		XW2B-20G4
					2	G79-200C		XW2B-20G5
					3	G79-300C		
					5	G79-500C		
CPM2C-24EDTC	—	8	NPN	1	1	XW2Z-100A	1	XW2D-20G6
					1.5	XW2Z-150A		XW2B-20G4
					2	XW2Z-200A		XW2B-20G5
					3	XW2Z-300A		
					5	XW2Z-500A		
CPM2C-24EDTM	16	—	NPN/PNP	1	0.25	G79-O25C	1	XW2D-20G6
					0.5	G79-O50C		XW2B-20G4
								XW2B-20G5

CPM2C: 24-Point Expansion									
PLC Modules				Cables			Wire Terminal Blocks		
Model	IN	OUT	Type	Qty	Length (m) each branch	Model	Qty	Terminal 1	
CPM2C-24EDTM	16	—	NPN/PNP	1	1	XW2Z-100A	1	XW2C-20G5-IN16	
					1.5	XW2Z-150A		XW2E-20G5-IN16	
					2	XW2Z-200A			
					3	XW2Z-300A			
					5	XW2Z-500A			
CPM2C-24EDTM	—	8	NPN	1	0.25	G79-O25C	1	XW2D-20G6	
					0.5	G79-O50C		XW2B-20G4	
								XW2B-20G5	
CPM2C-24EDT1C	16	—	NPN/PNP	1	1	G79-100C	1	XW2D-20G6	
					1.5	G79-150C		XW2B-20G4	
					2	G79-200C		XW2B-20G5	
					3	G79-300C			
					5	G79-500C			
CPM2C-24EDT1C	16	—	NPN/PNP	1	1	XW2Z-100A	1	XW2D-20G6	
					1.5	XW2Z-150A		XW2B-20G4	
					2	XW2Z-200A		XW2B-20G5	
					3	XW2Z-300A		XW2C-20G5-IN16	
					5	XW2Z-500A		XW2E-20G5-IN16	
CPM2C-24EDT1C	—	8	PNP	1	1	G79-100C	1	XW2D-20G6	
					1.5	G79-150C		XW2B-20G4	
					2	G79-200C		XW2B-20G5	
					3	G79-300C			
					5	G79-500C			
CPM2C-24EDT1C	—	8	PNP	1	1	XW2Z-100A	1	XW2D-20G6	
					1.5	XW2Z-150A		XW2B-20G4	
					2	XW2Z-200A		XW2B-20G5	
					3	XW2Z-300A			
					5	XW2Z-500A			
CPM2C-24EDT1M	16	—	NPN/PNP	1	0.25	G79-O25C	1	XW2D-20G6	
					0.5	G79-O50C		XW2B-20G4	
								XW2B-20G5	
CPM2C-24EDT1M	16	—	NPN/PNP	1	1	XW2Z-100A	1	XW2C-20G5-IN16	
					1.5	XW2Z-150A		XW2E-20G5-IN16	
					2	XW2Z-200A			
					3	XW2Z-300A			
					5	XW2Z-500A			
CPM2C-24EDT1M	—	8	PNP	1	1 + 0.75	G79-O100C-75	1	XW2D-20G6	
					1.5 + 1.25	G79-O150C-125		XW2B-20G4	
					2 + 1.75	G79-O200C-175		XW2B-20G5	
					3 + 2.75	G79-O300C-275			
					5 + 4.75	G79-O500C-475			

Relay Terminal Blocks



G79 Series  
Connector  
Cables for I/O  
Relay Terminals

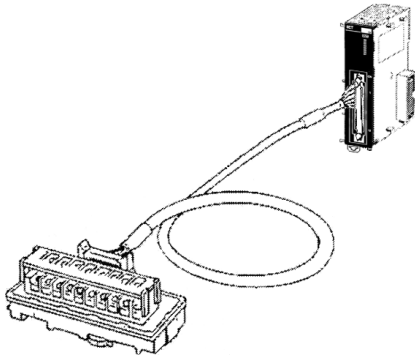
Note: 2 cables and 2 relay blocks required.

**Stock Note:** Shaded models are normally stocked.

CPM2C: 24-Point Expansion								
PLC I/O Modules				Cables			Relay Terminal Blocks	
Model	IN	OUT	Type	Qty	Length (m) for each branch	Model	Qty	Terminal 1
CPM2C-24EDTC	16	—	NPN/PNP	1	1	G79-100C	1	G7TC-IA16AC110120V
					1.5	G79-150C		G7TC-ID16DC24V
					2	G79-200C		
					3	G79-300C		
					5	G79-500C		
CPM2C-24EDTC	—	8	NPN	1	1	G79-100C	1	G7TC-OC16DC24V
					1.5	G79-150C		G70D-SOC16DC24
					2	G79-200C		G70D-VSOC16DC24
					3	G79-300C		G70A-ZOC16-3DC24
					5	G79-500C		
CPM2C-24EDTM	16	—	NPN/PNP	1	0.25	G79-O25C	1	G7TC-IA16AC110120V
					0.5	G79-O50C		G7TC-ID16DC24V
CPM2C-24EDTM	—	8	NPN	1	0.25	G79-O25C	1	G7TC-OC16DC24V
					0.5	G79-O50C		G70D-SOC16DC24
CPM2C-24EDT1C	16	—	NPN/PNP	1	1	G79-100C	1	G7TC-IA16AC110120V
					1.5	G79-150C		G7TC-ID16DC24V
					2	G79-200C		
					3	G79-300C		
					5	G79-500C		
CPM2C-24EDT1C	—	8	PNP	1	1	G79-100C	1	G7TC-OC16-1DC24V
					1.5	G79-150C		G70D-SOC16-1DC24
					2	G79-200C		
					3	G79-300C		
					5	G79-500C		
CPM2C-24EDT1M	16	—	NPN/PNP	1	0.25	G79-O25C	1	G7TC-IA16AC110120V
					0.5	G79-O50C		G7TC-ID16DC24V
CPM2C-24EDT1M	—	8	PNP	1	0.25	G79-O25C	1	G7TC-OC16-1DC24
					0.5	G79-O50C		G70D-SOC16-1DC24
CPM2C-24EDT1M	—	8	PNP	1	0.25	G79-I25C	1	G70D-VSOC16DC24
					0.5	G79-I50C		G70A-ZOC16-4DC24V

## 16-Point Expansion

### Wire Terminal Blocks

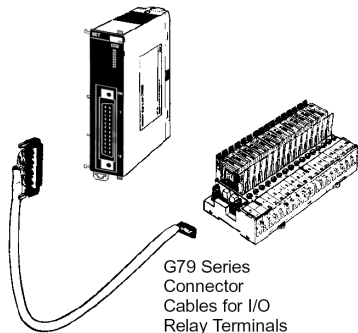


**Stock Note:** Shaded models are normally stocked.

CPM2C: 16-Point Expansion									
PLC I/O Modules				Cables			Wire Terminal Blocks		
Model	IN	OUT	Type	Qty	Length (m) for each branch	Model	Qty	Terminal 1	
CPM2C-16EDC	16	—	NPN/PNP	1	1	G79-100C	1	XW2D-20G6	
					1.5	G79-150C		XW2B-20G4	
					2	G79-200C		XW2B-20G5	
					3	G79-300C			
					5	G79-500C			
CPM2C-16EDC	16	—	NPN/PNP	1	1	XW2Z-100A	1	XW2D-20G6	
					1.5	XW2Z-150A		XW2B-20G4	
					2	XW2Z-200A		XW2B-20G5	
					3	XW2Z-300A		XW2C-20G5-IN16	
					5	XW2Z-500A		XW2E-20G5-IN16	
CPM2C-16EDM	16	—	NPN/PNP	1	1 + 0.75	G79-O100C-75	1	XW2D-20G6	
					1.5 + 1.25	G79-O150C-125		XW2B-20G4	
					2 + 1.75	G79-O200C-175		XW2B-20G5	
					3 + 2.75	G79-O300C-275			
					5 + 4.75	G79-O500C-475			
CPM2C-16EDM	16	—	NPN/PNP	1	1	XW2Z-100A	1	XW2C-20G5-IN16	
					1.5	XW2Z-150A		XW2E-20G5-IN16	
					2	XW2Z-200A			
					3	XW2Z-300A			
					5	XW2Z-500A			
CPM2C-16ETC	—	16	NPN	1	1	G79-100C	1	XW2D-20G6	
					1.5	G79-150C		XW2B-20G4	
					2	G79-200C		XW2B-20G5	
					3	G79-300C			
					5	G79-500C			
CPM2C-16ETC	—	16	NPN	1	1	XW2Z-100A	1	XW2D-20G6	
					1.5	XW2Z-150A		XW2B-20G4	
					2	XW2Z-200A		XW2B-20G5	
					3	XW2Z-300A			
					5	XW2Z-500A			

CPM2C: 16-Point Expansion								
PLC I/O Modules				Cables			Wire Terminal Blocks	
Model	IN	OUT	Type	Qty	Length (m) for each branch	Model	Qty	Terminal 1
CPM2C-16ET1C	—	16	PNP	1	1	G79-100C	1	XW2D-20G6
					1.5	G79-150C		XW2B-20G4
					2	G79-200C		XW2B-20G5
					3	G79-300C		
					5	G79-500C		
CPM2C-16ET1C	—	16	PNP	1	1	XW2Z-100A	1	XW2D-20G6
					1.5	XW2Z-150A		XW2B-20G4
					2	XW2Z-200A		XW2B-20G5
					3	XW2Z-300A		
					5	XW2Z-500A		
CPM2C-16ETM	—	16	NPN	1	0.5	G79-O50C	1	XW2D-20G6
								XW2B-20G4
								XW2B-20G5
CPM2C-16ET1C	—	16	PNP	1	1	G79-100C	1	XW2D-20G6
					1.5	G79-150C		XW2B-20G4
					2	G79-200C		XW2B-20G5
					3	G79-300C		
					5	G79-500C		
CPM2C-16ET1M	—	16	PNP	1	0.25	G79-O25C	1	XW2D-20G6
					0.5	G79-O50C		XW2B-20G4
								XW2B-20G5

Relay Terminal Blocks

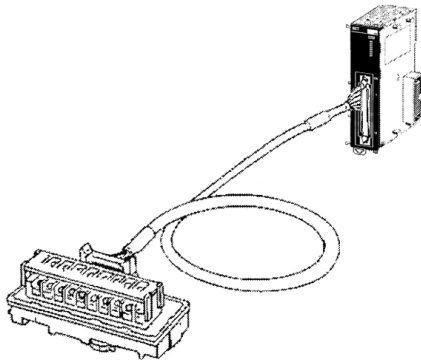


Stock Note: Shaded models are normally stocked.

CPM2C: 16-Point Expansion								
PLC I/O Modules				Cables			Relay Terminal Blocks	
Model	IN	OUT	Type	Qty	Length (m) for each branch	Model	Qty	Terminal 1
CPM2C-16EDC	16	—	NPN/PNP	1	1	G79-100C	1	G7TC-IA16AC110120V
					1.5	G79-150C		G7TC-ID16DC24V
					2	G79-200C		
					3	G79-300C		
					5	G79-500C		
CPM2C-16EDM	16	—	NPN/PNP	1	1 + 0.75	G79-O100C-75	1	G7TC-IA16AC110120V
					1.5 + 1.25	G79-O150C-125		G7TC-ID16DC24V
					2 + 1.75	G79-O200C-175		
					3 + 2.75	G79-O300C-275		
					5 + 4.75	G79-O500C-475		
CPM2C-16ETC	—	16	NPN	1	1	G79-100C	1	G7TC-OC16DC24V
					1.5	G79-150C		G70D-SOC16DC24
					2	G79-200C		G70D-VSOC16DC24
					3	G79-300C		G70A-ZOC16-3DC24
					5	G79-500C		
CPM2C-16ETM	—	16	NPN	1	0.25	G79-O25C	1	G7TC-OC16DC24V
					0.5	G79-O50C		G70D-SOC16DC24
CPM2C-16ET1C	—	16	PNP	1	0.25	G79-O25C	1	G7TC-OC16-1DC24V
					0.5	G79-O50C		G70D-SOC16-1DC24
					1	G79-100C		
					1.5	G79-150C		
					2	G79-200C		
CPM2C-16ET1M	—	16	PNP	1	0.25	G79-O25C	1	G7TC-OC16-1DC24V
					0.5	G79-O50C		G70D-SOC16-1DC24
CPM2C-16ET1M	—	16	PNP	1	0.25	G79-I25C	1	G70A-ZOC16-4DC24
					0.5	G79-I50C		

## 8-Point Expansion

### Wire Terminal Blocks



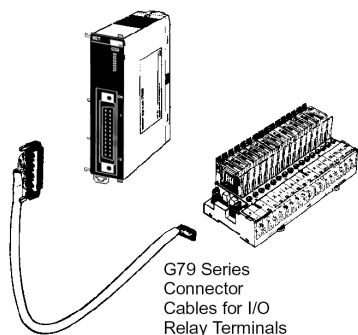
**Stock Note:** Shaded models are normally stocked.

CPM2C: 8-Point Expansion									
PLC I/O Modules				Cables			Wire Terminal Blocks		
Model	IN	OUT	Type	Qty	Length (m) for each branch	Model	Qty	Terminal 1	
CPM2C-8EDC	8	—	NPN/PNP	1	1	G79-100C	1	XW2D-20G6	
					1.5	G79-150C		XW2B-20G4	
					2	G79-200C		XW2B-20G5	
					3	G79-300C			
					5	G79-500C			
CPM2C-8EDC	8	—	NPN/PNP	1	1	XW2Z-100A	1	XW2D-20G6	
					1.5	XW2Z-150A		XW2B-20G4	
					2	XW2Z-200A		XW2B-20G5	
					3	XW2Z-300A		XW2C-20G5-IN16	
					5	XW2Z-500A		XW2E-20G5-IN16	
CPM2C-8EDM	8	—	NPN/PNP	1	0.5	G79-O50C	1	XW2D-20G6	
								XW2B-20G4	
								XW2B-20G5	
CPM2C-8EDM	8	—	NPN/PNP	1	1	XW2Z-100A	1	XW2C-20G5-IN16	
					1.5	XW2Z-150A		XW2E-20G5-IN16	
					2	XW2Z-200A			
					3	XW2Z-300A			
					5	XW2Z-500A			
CPM2C-8ETC	—	8	NPN	1	1	G79-100C	1	XW2D-20G6	
					1.5	G79-150C		XW2B-20G4	
					2	G79-200C		XW2B-20G5	
					3	G79-300C			
					5	G79-500C			
CPM2C-8ETC	—	8	NPN	1	1	XW2Z-100A	1	XW2D-20G6	
					1.5	XW2Z-150A		XW2B-20G4	
					2	XW2Z-200A		XW2B-20G5	
					3	XW2Z-300A			
					5	XW2Z-500A			



CPM2C: 8-Point Expansion									
PLC I/O Modules				Cables			Wire Terminal Blocks		
Model	IN	OUT	Type	Qty	Length (m) for each branch	Model	Qty	Terminal 1	
CPM2C-8ETM	—	8	NPN	1	0.25	G79-O25C	1	XW2D-20G6	
					0.5	G79-O50C		XW2B-20G4	
CPM2C-8ET1C	—	8	PNP	1	1	G79-100C	1	XW2D-20G6	
					1.5	G79-150C		XW2B-20G4	
					2	G79-200C		XW2B-20G5	
					3	G79-300C			
					5	G79-500C			
CPM2C-8ET1C	—	8	PNP	1	1	XW2Z-100A	1	XW2D-20G6	
					1.5	XW2Z-150A		XW2B-20G4	
					2	XW2Z-200A		XW2B-20G5	
					3	XW2Z-300A			
					5	XW2Z-500A			
CPM2C-8ET1M	—	8	PNP	1	0.25	G79-O25C	1	XW2D-20G6	
					0.5	G79-O50C		XW2B-20G4	
								XW2B-20G5	

**Relay Terminal Blocks**



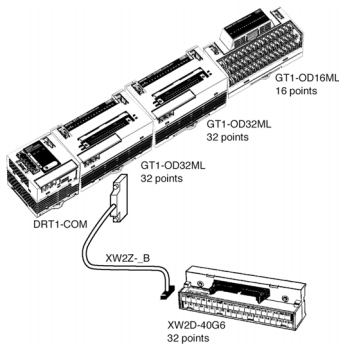
**Stock Note:** Shaded models are normally stocked.

CPM2C: 8-Point Expansion									
PLC I/O Modules				Cables			Relay Terminal Blocks		
Model	IN	OUT	Type	Qty	Length (m) for each branch	Model	Qty	Terminal 1	
CPM2C-8EDC	8	—	NPN/PNP	1	1	G79-100C	1	G7TC-IA16AC110120V	
					1.5	G79-150C		G7TC-ID16DC24V	
					2	G79-200C			
					3	G79-300C			
					5	G79-500C			
CPM2C-8EDM	8	—	NPN/PNP	1	0.25	G79-O25C	1	G7TC-IA16AC110120V	
					0.5	G79-O50C		G7TC-ID16DC24V	
CPM2C-8ETC	—	8	NPN	1	1	G79-100C	1	G7TC-OC16DC24V	
					1.5	G79-150C		G70D-SOC16DC24	
					2	G79-200C		G70D-VSOC16DC24	
					3	G79-300C		G70A-ZOC16-3DC24	
					5	G79-500C			

CPM2C: 8-Point Expansion									
PLC I/O Modules				Cables			Relay Terminal Blocks		
Model	IN	OUT	Type	Qty	Length (m) for each branch	Model	Qty	Terminal 1	
CPM2C-8ETM	—	8	NPN	1	0.25	G79-O25C	1	G7TC-OC16DC24V	
					0.5	G79-O50C		G70D-SOC16DC24	
								G70D-VSOC16DC24	
								G70A-ZOC16-3DC24	
CPM2C-8ET1C	—	8	PNP	1	1	G79-100C	1	G7TC-OC16-1DC24V	
					1.5	G79-150C		G70D-SOC16-1DC24	
					2	G79-200C			
					3	G79-300C			
					5	G79-500C			
CPM2C-8ET1M	—	8	PNP	1	0.25	G79-O25C	1	G7TC-OC16-1DC24V	
					0.5	G79-O50C		G70D-SOC16-1DC24	
CPM2C-8ET1M	—	8	PNP	1	0.25	G79-I25C	1	G70A-ZOC16-4DC24	
					0.5	G79-I50C			

## High-Density DeviceNet Multiple I/O Blocks

### Wire Terminal Blocks

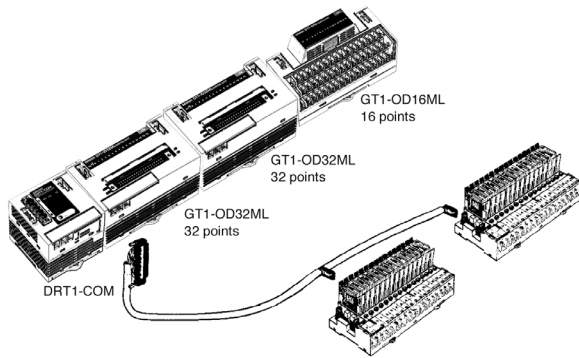


**Stock Note:** Shaded models are normally stocked.

High-Density DeviceNet Multiple I/O Blocks				Cables			Terminal/Relay Blocks	
Model	IN	OUT	Type	Qty	Length (m) for each branch	Model	Qty	Terminal 1
GT1-ID32ML	32	—	NPN	1	0.5	XW2Z-050B	1	XW2D-40G6
					1	XW2Z-100B		XW2B-40G4
					1.5	XW2Z-150B		XW2B-40G5
					2	XW2Z-200B		
					3	XW2Z-300B		
					5	XW2Z-500B		
					7	XW2Z-700B		
GT1-ID32ML-1	32	—	PNP	1	0.5	XW2Z-050B	1	XW2D-40G6
					1	XW2Z-100B		XW2B-40G4
					1.5	XW2Z-150B		XW2B-40G5
					2	XW2Z-200B		
					3	XW2Z-300B		
					5	XW2Z-500B		
					7	XW2Z-700B		

High-Density DeviceNet Multiple I/O Blocks				Cables			Terminal/Relay Blocks	
Model	IN	OUT	Type	Qty	Length (m) for each branch	Model	Qty	Terminal 1
GT1-OD32ML	—	32	NPN	1	0.5	XW2Z-050B	1	XW2D-40G6
					1	XW2Z-100B		XW2B-40G4
					1.5	XW2Z-150B		XW2B-40G5
					2	XW2Z-200B		
					3	XW2Z-300B		
					5	XW2Z-500B		
					7	XW2Z-700B		
GT1-OD32ML-1	—	32	PNP	1	0.5	XW2Z-050B	1	XW2D-40G6
					1	XW2Z-100B		XW2B-40G4
					1.5	XW2Z-150B		XW2B-40G5
					2	XW2Z-200B		
					3	XW2Z-300B		
					5	XW2Z-500B		
					7	XW2Z-700B		
GT1-ID16ML	16	—	NPN	1	1	XW2Z-100A	1	XW2D-20G6
					1.5	XW2Z-150A		XW2B-20G5
					2	XW2Z-200A		XW2B-20G4
					3	XW2Z-300A		
					5	XW2Z-500A		
GT1-ID16ML-1	16	—	PNP	1	1	XW2Z-100A	1	XW2D-20G6
					1.5	XW2Z-150A		XW2B-20G5
					2	XW2Z-200A		XW2B-20G4
					3	XW2Z-300A		
					5	XW2Z-500A		
GT1-OD16ML	—	16	NPN	1	1	XW2Z-100A	1	XW2D-20G6
					1.5	XW2Z-150A		XW2B-20G5
					2	XW2Z-200A		XW2B-20G4
					3	XW2Z-300A		
					5	XW2Z-500A		
GT1-OD16ML-1	—	16	PNP	1	1	XW2Z-100A	1	XW2D-20G6
					1.5	XW2Z-150A		XW2B-20G5
					2	XW2Z-200A		XW2B-20G4
					3	XW2Z-300A		
					5	XW2Z-500A		

## Relay Terminal Blocks

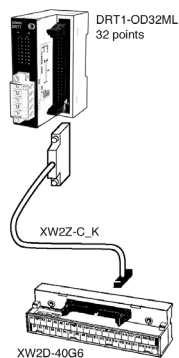


**Stock Note:** Shaded models are normally stocked.

DeviceNet Multiple I/O Blocks				Cables			Terminal /Relay Blocks	
Model	IN	OUT	Type	Qty	Length (m) for each branch	Model	Qty	Terminal 1
GT1-ID32ML	32	—	NPN	1	1 + 0.75	G79-I100C-75	2	G7TC-IA16AC110120V
					1.5 + 1.25	G79-I150C-125		G7TC-ID16DC24V
					2 + 1.75	G79-I200C-175		
					3 + 2.75	G79-I300C-275		
					5 + 4.75	G79-I500C-475		
GT1-OD32ML	—	32	NPN	1	1 + 0.75	G79-O100C-75	2	G7TC-OC16DC24V
					1.5 + 1.25	G79-O150C-125		G70D-SOC16DC24
					2 + 1.75	G79-O200C-175		G70D-VSOC16DC24
					3 + 2.75	G79-O300C-275		G70A-ZOC16-3DC24
					5 + 4.75	G79-O500C-475		
GT1-ID16ML	16	—	NPN	1	1	G79-100C	1	G7TC-IA16AC110120V
					1.5	G79-150C		G7TC-ID16DC24V
					2	G79-200C		
					3	G79-300C		
					5	G79-500C		
GT1-OD16ML	—	16	NPN	1	1	G79-100C	1	G7TC-OC16DC24V
					1.5	G79-150C		G70D-SOC16DC24V
					2	G79-200C		G70D-VSOC16DC24
					3	G79-300C		G70A-ZOC16-3DC24
					5	G79-500C		

## High-Density DeviceNet I/O Blocks

### Wire Terminal Blocks

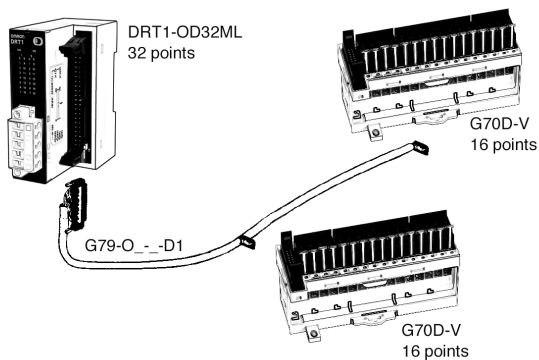


**Stock Note:** Shaded models are normally stocked.

High-Density DeviceNet I/O Blocks				Cables			Wire Terminal Blocks	
Model	IN	OUT	Type	Qty	Length (m) for each branch	Model	Qty	Terminal 1
DRT1-ID32ML	32	—	NPN	1	1	XW2Z-100K	1	XW2D-40G6
					1.5	XW2Z-150K		XW2B-40G4
					2	XW2Z-200K		XW2B-40G5
					3	XW2Z-300K		
					5	XW2Z-500K		
DRT1-ID32ML-1	32	—	PNP	1	1	XW2Z-100K	1	XW2D-40G6
					1.5	XW2Z-150K		XW2B-40G4
					2	XW2Z-200K		XW2B-40G5
					3	XW2Z-300K		
					5	XW2Z-500K		
DRT1-OD32ML	—	32	NPN	1	1	XW2Z-100K	1	XW2D-40G6
					1.5	XW2Z-150K		XW2B-40G4
					2	XW2Z-200K		XW2B-40G5
					3	XW2Z-300K		
					5	XW2Z-500K		
DRT1-OD32ML-1	—	32	PNP	1	1	XW2Z-100K	1	XW2D-40G6
					1.5	XW2Z-150K		XW2B-40G4
					2	XW2Z-200K		XW2B-40G5
					3	XW2Z-300K		
					5	XW2Z-500K		
DRT1-MD32ML	16	—	NPN	1	1	XW2Z-100K	1	XW2D-20G6
					1.5	XW2Z-150K		XW2B-20G4
					2	XW2Z-200K		XW2B-20G5
					3	XW2Z-300K		
					5	XW2Z-500K		
DRT1-MD32ML	—	16	NPN	1	1	XW2Z-100K	1	XW2D-20G6
					1.5	XW2Z-150K		XW2B-20G4
					2	XW2Z-200K		XW2B-20G5
					3	XW2Z-300K		
					5	XW2Z-500K		

High-Density DeviceNet I/O Blocks				Cables			Wire Terminal Blocks	
Model	IN	OUT	Type	Qty	Length (m) for each branch	Model	Qty	Terminal 1
DRT1-MD32ML-1	16	—	PNP	1	1	XW2Z-100K	1	XW2D-20G6
					1.5	XW2Z-150K		XW2B-20G4
					2	XW2Z-200K		XW2B-20G5
					3	XW2Z-300K		
					5	XW2Z-500K		
DRT1-MD32ML-1	—	16	PNP	1	1	XW2Z-100K	1	XW2D-20G6
					1.5	XW2Z-150K		XW2B-20G4
					2	XW2Z-200K		XW2B-20G5
					3	XW2Z-300K		
					5	XW2Z-500K		

**Relay Terminal Blocks**

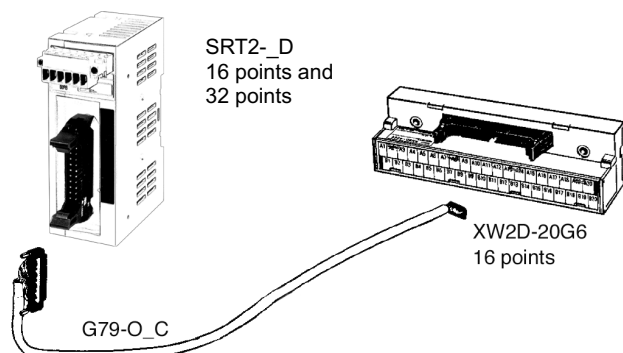


**Stock Note:** Shaded models are normally stocked.

High-Density DeviceNet I/O Blocks				Cables			Terminal/Relay Blocks	
Model	IN	OUT	Type	Qty	Length (m) for each branch	Model	Qty	Terminal 1
DRT1-ID32ML	32	—	NPN	1	0.5 + 0.25	G79-I50-25-D1	2	G7TC-IA16AC120110V
					0.75 + 0.5	G79-I75-50-D1		G7TC-ID16DC24V
DRT1-OD32ML	—	32	NPN	1	0.5 + 0.25	G79-O50-25-D1	2	G7TC-OC16DC24V
					0.75 + 0.5	G79-O75-50-D1		G70D-SOC16DC24
DRT1-OD32ML-1	—	32	PNP	1	0.5 + 0.25	G79-O50-25-D1	2	G70A-ZOC16-4DC24
					0.75 + 0.5	G79-O75-50-D1		G70D-SOC16-1DC24
DRT1-OD32ML-1	—	32	PNP	1	0.5 + 0.25	G79-I50-25-D1	2	G7TC-OC16-1DC24V
					0.75 + 0.5	G79-I75-50-D1		
DRT1-MD32ML	16	—	NPN	1	0.5 + 0.25	G79-M50-25-D1	1	G7TC-IA16AC120110V
					0.75 + 0.5	G79-M75-50-D1		G7TC-ID16DC24V
DRT1-MD32ML	—	16	NPN	1	0.5 + 0.25	G79-M50-25-D1	1	G7TC-OC16DC24V
					0.75 + 0.5	G79-M75-50-D1		G70D-SOC16DC24
								G70D-VSOC16DC24
								G70A-ZOC16-3DC24
								G70A-ZOC16-3DC24

## High-Density CompoBus/S I/O Blocks

### Wire Terminal Blocks



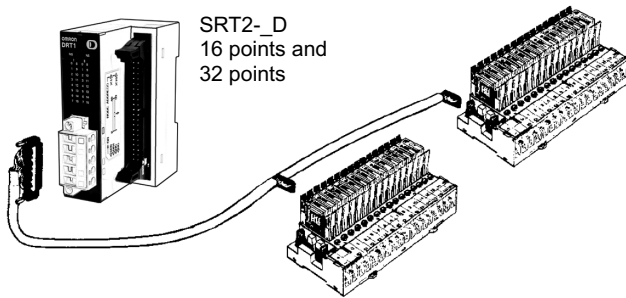
**Stock Note:** Shaded models are normally stocked.

High-Density CompoBus/S I/O Blocks				Cables			Wire Terminal Blocks	
Model	IN	OUT	Type	Qty	Length (m) for each branch	Model	Qty	Terminal 1
SRT2-VID16ML	16	—	NPN	1	0.25	G79-O25C	1	XW2D-20G6
					0.5	G79-O50C		XW2B-20G5
								XW2B-20G4
								XW2D-20C6
								XW2C-20G6-IO16
								XW2C-20G5-IN16
								XW2E-20G5-IN16
SRT2-VID16ML-1	16	—	PNP	1	0.25	G79-O25C	1	XW2D-20G6
					0.5	G79-O50C		XW2B-20G5
								XW2B-20G4
								XW2D-20C6
								XW2C-20G6-IO16
								XW2C-20G5-IN16
								XW2E-20G5-IN16
SRT2-VOD16ML	—	16	NPN	1	0.25	G79-O25C	1	XW2D-20G6
					0.5	G79-O50C		XW2B-20G5
								XW2B-20G4
								XW2D-20C6
								XW2C-20G6-IO16
								XW2C-20G5-IN16
								XW2E-20G5-IN16
SRT2-VOD16ML-1	—	16	PNP	1	0.25	G79-O25C	1	XW2D-20G6
					0.5	G79-O50C		XW2B-20G5
								XW2B-20G4
								XW2D-20C6
								XW2C-20G6-IO16
								XW2C-20G5-IN16
								XW2E-20G5-IN16

High-Density CompoBus/S I/O Blocks				Cables			Wire Terminal Blocks	
Model	IN	OUT	Type	Qty	Length (m) for each branch	Model	Qty	Terminal 1
SRT2-ID32ML	32	—	NPN	1	1	XW2Z-100K	1	XW2D-40G6
					1.5	XW2Z-150K		XW2B-40G4
					2	XW2Z-200K		XW2B-40G5
					3	XW2Z-300K		
					5	XW2Z-500K		
SRT2-ID32ML-1	32	—	PNP	1	1	XW2Z-100K	1	XW2D-40G6
					1.5	XW2Z-150K		XW2B-40G4
					2	XW2Z-200K		XW2B-40G5
					3	XW2Z-300K		
					5	XW2Z-500K		
SRT2-OD32ML	—	32	NPN	1	1	XW2Z-100K	1	XW2D-40G6
					1.5	XW2Z-150K		XW2B-40G4
					2	XW2Z-200K		XW2B-40G5
					3	XW2Z-300K		
					5	XW2Z-500K		
SRT2-OD32ML-1	—	32	PNP	1	1	XW2Z-100K	1	XW2D-40G6
					1.5	XW2Z-150K		XW2B-40G4
					2	XW2Z-200K		XW2B-40G5
					3	XW2Z-300K		
					5	XW2Z-500K		
SRT2-MD32ML	16	—	NPN	1	1	XW2Z-100K	1	XW2D-40G6
					1.5	XW2Z-150K		XW2B-40G4
					2	XW2Z-200K		XW2B-40G5
					3	XW2Z-300K		
					5	XW2Z-500K		
SRT2-MD32ML	—	16	NPN	1	1	XW2Z-100K	1	XW2D-40G6
					1.5	XW2Z-150K		XW2B-40G4
					2	XW2Z-200K		XW2B-40G5
					3	XW2Z-300K		
					5	XW2Z-500K		
SRT2-MD32ML-1	16	—	PNP	1	1	XW2Z-100K	1	XW2D-40G6
					1.5	XW2Z-150K		XW2B-40G4
					2	XW2Z-200K		XW2B-40G5
					3	XW2Z-300K		
					5	XW2Z-500K		
SRT2-MD32ML-1	—	16	PNP	1	1	XW2Z-100K	1	XW2B-40G4
					1.5	XW2Z-150K		XW2B-40G5
					2	XW2Z-200K		
					3	XW2Z-300K		
					5	XW2Z-500K		



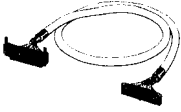
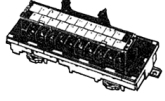
Relay Terminal Blocks

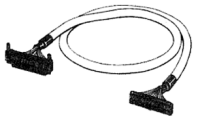
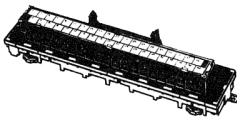



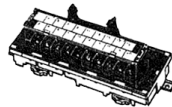
Stock Note: Shaded models are normally stocked.

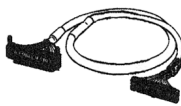
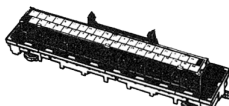
High-Density CompoBus/S I/O Blocks				Cables			Terminal/Relay Blocks	
Model	IN	OUT	Type	Qty	Length (m) for each branch	Model	Qty	Terminal 1
SRT2-VID16ML	16	—	NPN	1	0.25	G79-I25C	1	G7TC-IA16AC110120V
					0.5	G79-I50C		G7TC-ID16DC24V
SRT2-VOD16ML	—	16	NPN	1	0.25	G79-O25C	1	G7TC-OC16DC24V
					0.5	G79-O50C		G70D-SOC16DC24
								G70D-VSOC16DC24
								G70A-ZOC16-3DC24V
SRT2-VOD16ML-1	—	16	PNP	1	0.25	G79-O25C	1	G70A-ZOC16-4DC24V
					0.5	G79-O50C		
SRT2-ID32ML	32	—	NPN	1	0.5 + 0.25	G79-I50-25-D1	2	G7TC-IA16AC110120V
					0.75 + 0.5	G79-I75-50-D1		G7TC-ID16DC24V
SRT2-OD32ML	—	32	NPN	1	0.5 + 0.25	G79-O50-25-D1	2	G7TC-OC16DC24V
					0.75 + 0.5	G79-O75-50-D1		G70D-SOC16DC24
SRT2-OD32ML-1	—	32	PNP	1	0.5 + 0.25	G79-O50-25-D1	2	G70A-ZOC16-4DC24V
					0.75 + 0.5	G79-O75-50-D1		G70D-SOC16-1
								G70D-SOC16-1
SRT2-OD32ML-1	—	32	PNP	1	0.5 + 0.25	G79-I50-25-D1	2	G7TC-OC16-1DC24V
					0.75 + 0.5	G79-I75-50-D1		
SRT2-MD32ML	16	—	NPN	1	0.5 + 0.25	G79-M50-25-D1	1	G7TC-IA16AC110120V
					0.75 + 0.5	G79-M75-50-D1		G7TC-ID16DC24V
SRT2-MD32ML	—	16	NPN	1	0.5 + 0.25	G79-M50-25-D1	1	G7TC-OC16DC24V
								G70D-SOC16DC24
								G70D-VSOC16DC24
								G70A-ZOC16-3DC24V
SRT2-MD32ML-1	16	—	PNP	1	0.5 + 0.25	G79-M50-25-D1	1	G70A-ZIM16-5DC24V
					0.75 + 0.5	G79-M75-50-D1		G7TC-IA16AC110120V
								G7TC-ID16DC24V

## ■ Pin-Out Reference for Cables and Wire Terminal Blocks

PLC Unit	Connecting Cable to PLC Unit		Terminal Block		Connector and Terminal Block Assignment			
					PLC	Terminal	PLC	Terminal
C200H-ID215		XW2Z-□A		XW2B-20G	A1	1	B1	2
C200H-OD215					A2	3	B2	4
C200H-MD115					A3	5	B3	6
C200H-MD215					A4	7	B4	8
C200H-MD501					A5	9	B5	10
C200H-ID501					A6	11	B6	12
C200H-OD501					A7	13	B7	14
CPM2C-_CDT					A8	15	B8	16
CPM2C-_C1DT					A9	17	B9	18
CPM2C-S1_OC					A10	19	B10	20
CPM2C-_EDC								
CPM2C-_EDT(1)C								
CPM2C-_ET(1)C								

PLC Unit	Connecting Cable to PLC Unit		Terminal Block		Connector and Terminal Block Assignment			
					PLC	Terminal	PLC	Terminal
C200H-ID111 C200H-ID216 C200H-ID217 C200H-ID218 C200H-ID219 C200H-OD218 C200H-OD219 C200H-OD219B CQM1-ID112 CQM1-ID213 CQM1-ID214 CQM1-OD213 CQM1-OD216 GT1-ID32ML GT1-ID32ML-1 GT1-OD32ML GT1-OD32ML-1 CS1W-ID231 CS1W-ID261 CS1W-MD261 CS1W-MD262 CS1W-OD231 CS1W-OD232 CS1W-OD261 CS1W-OD262 CJ1W-ID231 CJ1W-ID261 CJ1W-MD261 CJ1W-MD262 CJ1W-OD231 CJ1W-OD232 CJ1W-OD261		<b>XW2Z-□B</b>  Fits Fujitsu connector on the PLC unit.		<b>XW2B-40G</b>	A1	1	B1	2
					A2	3	B2	4
					A3	5	B3	6
					A4	7	B4	8
					A5	9	B5	10
					A6	11	B6	12
					A7	13	B7	14
					A8	15	B8	16
					A9	17	B9	18
					A10	19	B10	20
					A11	21	B11	22
					A12	23	B12	24
					A13	25	B13	26
					A14	27	B14	28
					A15	29	B15	30
					A16	31	B16	32
					A17	33	B17	34
					A18	35	B18	36
					A19	37	B19	38
					A20	39	B20	40
CS1W-ID232 CS1W-ID262 CS1W-MD263 CS1W-MD563 CS1W-OD232 CS1W-OD233 CS1W-OD263		<b>XW2Z-□K</b>  Fits MIL style connector on the PLC unit.						

PLC Unit	Connecting Cable to PLC Unit		Terminal Block
C200H-ID111 C200H-ID216 C200H-ID217 C200H-ID218 C200H-ID219 CQM1-ID112 CQM1-ID213 CQM1-ID214 CS1W-ID231 CS1W-ID261 CS1W-MD261 CS1W-MD262 CJ1W-ID231 CJ1W-ID261 CJ1W-MD261		<b>XW2Z-□D</b>  Fits Fujitsu connector on the PLC unit.	  <b>XW2B-20G</b>
CJ1W-ID232 CJ1W-ID262 CJ1W-MD263 CJ1W-MD563 CJ1W-OD232 CJ1W-OD233 CJ1W-OD263		<b>XW2Z-□N</b>  Fits MIL style connector on the PLC unit.	

PLC Unit	Connecting Cable to PLC Unit		Terminal Block	Connector and Terminal Block Assignment			
				PLC	Terminal	PLC	Terminal
CS1W-ID291 CS1W-OD291 CS1W-OD292 CS1W-MD291 CS1W-MD292		<b>XW2Z-□H1</b>  For 1:1 connection. See manual W393 for 1:2 and 1:3 connections.	  <b>XW2B-60G</b>	A1	1	B1	2
A2				3	B2	4	
A3	5	B3	6				
A4	7	B4	8				
A5	9	B5	10				
A6	11	B6	12				
A7	13	B7	14				
A8	15	B8	16				
A9	17	B9	18				
A10	19	B10	20				
A11	21	B11	22				
A12	23	B12	24				
A13	25	B13	26				
A14	27	B14	28				
A15	29	B15	30				
A16	31	B16	32				
A17	33	B17	34				
A18	35	B18	36				
A19	37	B19	38				
A20	39	B20	40				
A21	41	B21	42				
A22	43	B22	44				
A23	45	B23	46				
A24	47	B24	48				
A25	49	B25	50				
A26	51	B26	52				
A27	53	B27	54				
A28	—	B28	—				

## Certain Terms and Conditions of Sale

1. **Offer; Acceptance.** These terms and conditions (these "Terms") are deemed part of all catalogs, manuals or other documents, whether electronic or in writing, relating to the sale of goods or services (collectively, the "Goods") by Omron Electronics LLC and its subsidiary companies ("Seller"). Seller hereby objects to any terms or conditions proposed in Buyer's purchase order or other documents which are inconsistent with, or in addition to, these Terms. Please contact your Omron representative to confirm any additional terms for sales from your Omron company.
2. **Prices.** All prices stated are current, subject to change without notice by Seller. Buyer agrees to pay the price in effect at time of shipment.
3. **Discounts.** Cash discounts, if any, will apply only on the net amount of invoices sent to Buyer after deducting transportation charges, taxes and duties, and will be allowed only if (i) the invoice is paid according to Seller's payment terms and (ii) Buyer has no past due amounts owing to Seller.
4. **Orders.** Seller will accept no order less than \$200 net billing.
5. **Governmental Approvals.** Buyer shall be responsible for, and shall bear all costs involved in, obtaining any government approvals required for the importation or sale of the Goods.
6. **Taxes.** All taxes, duties and other governmental charges (other than general real property and income taxes), including any interest or penalties thereon, imposed directly or indirectly on Seller or required to be collected directly or indirectly by Seller for the manufacture, production, sale, delivery, importation, consumption or use of the Goods sold hereunder (including customs duties and sales, excise, use, turnover and license taxes) shall be charged to and remitted by Buyer to Seller.
7. **Financial.** If the financial position of Buyer at any time becomes unsatisfactory to Seller, Seller reserves the right to stop shipments or require satisfactory security or payment in advance. If Buyer fails to make payment or otherwise comply with these Terms or any related agreement, Seller may (without liability and in addition to other remedies) cancel any unshipped portion of Goods sold hereunder and stop any Goods in transit until Buyer pays all amounts, including amounts payable hereunder, whether or not then due, which are owing to it by Buyer. Buyer shall in any event remain liable for all unpaid accounts.
8. **Cancellation; Etc.** Orders are not subject to rescheduling or cancellation unless Buyer indemnifies Seller fully against all costs or expenses arising in connection therewith.
9. **Force Majeure.** Seller shall not be liable for any delay or failure in delivery resulting from causes beyond its control, including earthquakes, fires, floods, strikes or other labor disputes, shortage of labor or materials, accidents to machinery, acts of sabotage, riots, delay in or lack of transportation or the requirements of any government authority.
10. **Shipping; Delivery.** Unless otherwise expressly agreed in writing by Seller:
  - a. Shipments shall be by a carrier selected by Seller;
  - b. Such carrier shall act as the agent of Buyer and delivery to such carrier shall constitute delivery to Buyer;
  - c. All sales and shipments of Goods shall be FOB shipping point (unless otherwise stated in writing by Seller), at which point title to and all risk of loss of the Goods shall pass from Seller to Buyer, provided that Seller shall retain a security interest in the Goods until the full purchase price is paid by Buyer;
  - d. Delivery and shipping dates are estimates only.
  - e. Seller will package Goods as it deems proper for protection against normal handling and extra charges apply to special conditions.
11. **Claims.** Any claim by Buyer against Seller for shortage or damage to the Goods occurring before delivery to the carrier must be presented in writing to Seller within 30 days of receipt of shipment and include the original transportation bill signed by the carrier noting that the carrier received the Goods from Seller in the condition claimed.
12. **Warranties.** (a) **Exclusive Warranty.** Seller's exclusive warranty is that the Goods will be free from defects in materials and workmanship for a period of twelve months from the date of sale by Seller (or such other period expressed in writing by Seller). Seller disclaims all other warranties, express or implied. (b) **Limitations.** SELLER MAKES NO WARRANTY OR REPRESENTATION, EXPRESS OR IMPLIED, ABOUT NON-INFRINGEMENT, MERCHANTABILITY OR FITNESS FOR A PARTICULAR PURPOSE OF THE GOODS. BUYER ACKNOWLEDGES THAT IT ALONE HAS DETERMINED THAT THE GOODS WILL SUITABLY MEET THE REQUIREMENTS OF THEIR INTENDED USE. Seller further disclaims all warranties and responsibility of any type for claims or expenses based on infringement by the Goods or otherwise of any intellectual property right. (c) **Buyer Remedy.** Seller's sole obligation hereunder shall be to replace (in the form originally shipped with Buyer responsible for labor charges for removal or replacement thereof) the non-complying Good or, at Seller's election, to repay or credit Buyer an amount equal to the purchase price of the Good; provided that in no event shall Seller be responsible for warranty, repair, indemnity or any other claims or expenses regarding the Goods unless Seller's analysis confirms that the Goods were properly handled, stored, installed and maintained and not subject to contamination, abuse, misuse or inappropriate modification. Return of any goods by Buyer must be approved in writing by Seller before shipment. Seller shall not be liable for the suitability or unsuitability or the results from the use of Goods in combination with any electrical or electronic components, circuits, system assemblies or any other materials or substances or environments. Any advice, recommendations or information given orally or in writing, are not to be construed as an amendment or addition to the above warranty.
13. **Damage Limits; Etc.** SELLER SHALL NOT BE LIABLE FOR SPECIAL, INDIRECT OR CONSEQUENTIAL DAMAGES, LOSS OF PROFITS OR PRODUCTION OR COMMERCIAL LOSS IN ANY WAY CONNECTED WITH THE GOODS, WHETHER SUCH CLAIM IS BASED IN CONTRACT, WARRANTY, NEGLIGENCE OR STRICT LIABILITY. Further, in no event shall liability of Seller exceed the individual price of the Good on which liability is asserted.
14. **Indemnities.** Buyer shall indemnify and hold harmless Seller, its affiliates and its employees from and against all liabilities, losses, claims, costs and expenses (including attorney's fees and expenses) related to any claim, investigation, litigation or proceeding (whether or not Seller is a party) which arises or is alleged to arise from Buyer's acts or omissions under these Terms or in any way with respect to the Goods. Without limiting the foregoing, Buyer (at its own expense) shall indemnify and hold harmless Seller and defend or settle any action brought against Seller to the extent that it is based on a claim that any Good made to Buyer specifications infringed intellectual property rights of another party.
15. **Property; Confidentiality.** The intellectual property embodied in the Goods is the exclusive property of Seller and its affiliates and Buyer shall not attempt to duplicate it in any way without the written permission of Seller. Notwithstanding any charges to Buyer for engineering or tooling, all engineering and tooling shall remain the exclusive property of Seller. All information and materials supplied by Seller to Buyer relating to the Goods are confidential and proprietary, and Buyer shall limit distribution thereof to its trusted employees and strictly prevent disclosure to any third party.
16. **Miscellaneous.** (a) **Waiver.** No failure or delay by Seller in exercising any right and no course of dealing between Buyer and Seller shall operate as a waiver of rights by Seller. (b) **Assignment.** Buyer may not assign its rights hereunder without Seller's written consent. (c) **Amendment.** These Terms constitute the entire agreement between Buyer and Seller relating to the Goods, and no provision may be changed or waived unless in writing signed by the parties. (d) **Severability.** If any provision hereof is rendered ineffective or invalid, such provision shall not invalidate any other provision. (e) **Setoff.** Buyer shall have no right to set off any amounts against the amount owing in respect of this invoice. (f) As used herein, "including" means "including without limitation".

## Certain Precautions on Specifications and Use

1. **Suitability of Use.** Seller shall not be responsible for conformity with any standards, codes or regulations which apply to the combination of the Good in the Buyer's application or use of the Good. At Buyer's request, Seller will provide applicable third party certification documents identifying ratings and limitations of use which apply to the Good. This information by itself is not sufficient for a complete determination of the suitability of the Good in combination with the end product, machine, system, or other application or use. The following are some examples of applications for which particular attention must be given. This is not intended to be an exhaustive list of all possible uses of this Good, nor is it intended to imply that the uses listed may be suitable for this Good:
  - (i) Outdoor use, uses involving potential chemical contamination or electrical interference, or conditions or uses not described in this document.
  - (ii) Energy control systems, combustion systems, railroad systems, aviation systems, medical equipment, amusement machines, vehicles, safety equipment, and installations subject to separate industry or government regulations.
  - (iii) Systems, machines and equipment that could present a risk to life or property. Please know and observe all prohibitions of use applicable to this Good.
2. **Programmable Products.** Seller shall not be responsible for the user's programming of a programmable Good, or any consequence thereof.
3. **Performance Data.** Performance data given in this catalog is provided as a guide for the user in determining suitability and does not constitute a warranty. It may represent the result of Seller's test conditions, and the user must correlate it to actual application requirements. Actual performance is subject to the Seller's Warranty and Limitations of Liability.
4. **Change in Specifications.** Product specifications and accessories may be changed at any time based on improvements and other reasons. It is our practice to change part numbers when published ratings or features are changed, or when significant construction changes are made. However, some specifications of the Good may be changed without any notice. When in doubt, special part numbers may be assigned to fix or establish key specifications for your application. Please consult with your Seller's representative at any time to confirm actual specifications of purchased Good.
5. **Errors and Omissions.** The information in this catalog has been carefully checked and is believed to be accurate; however, no responsibility is assumed for clerical, typographical or proofreading errors, or omissions.

NEVER USE THE PRODUCT FOR AN APPLICATION INVOLVING SERIOUS RISK TO LIFE OR PROPERTY WITHOUT ENSURING THAT THE SYSTEM AS A WHOLE HAS BEEN DESIGNED TO ADDRESS THE RISKS, AND THAT THE SELLER'S PRODUCT IS PROPERLY RATED AND INSTALLED FOR THE INTENDED USE WITHIN THE OVERALL EQUIPMENT OR SYSTEM.

**Complete “Terms and Conditions of Sale” for product purchase and use are on Omron’s website at [www.omron.com/oei](http://www.omron.com/oei) – under the “About Us” tab, in the Legal Matters section.**

**ALL DIMENSIONS SHOWN ARE IN MILLIMETERS.**

To convert millimeters into inches, multiply by 0.03937. To convert grams into ounces, multiply by 0.03527.

---

**OMRON**<sup>®</sup>**OMRON ELECTRONICS LLC**

One Commerce Drive  
Schaumburg, IL 60173

**847-843-7900**

For US technical support or other inquiries:

**800-556-6766****OMRON CANADA, INC.**

885 Milner Avenue  
Toronto, Ontario M1B 5V8

**416-286-6465****OMRON ON-LINE**

Global - <http://www.omron.com>

USA - <http://www.omron.com/oei>

Canada - <http://www.omron.ca>