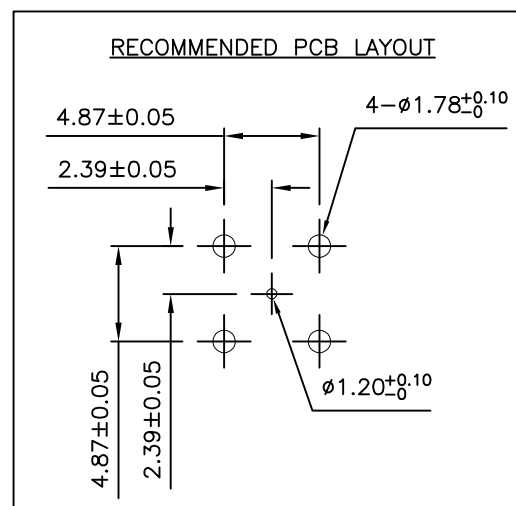
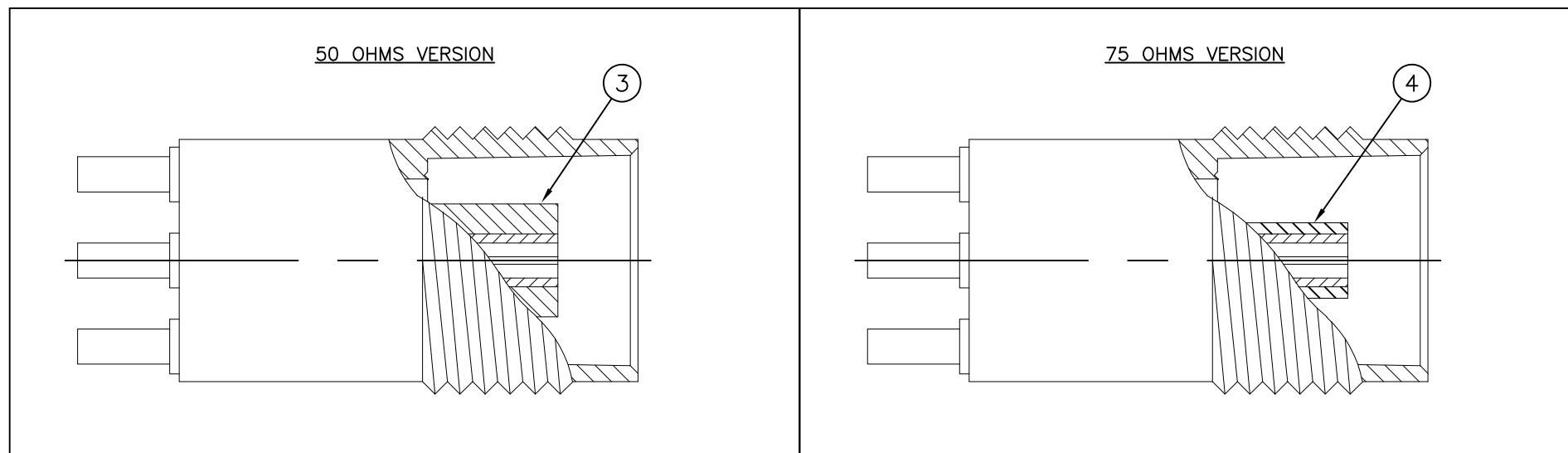
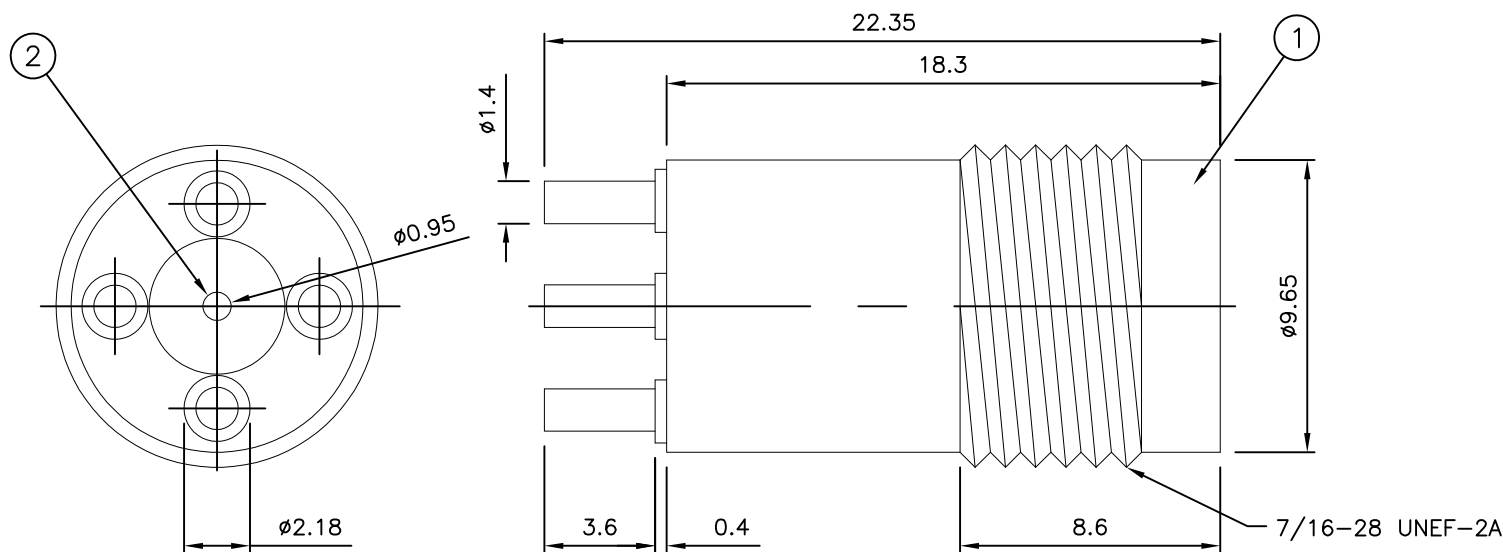


LOC	DIST	REVISIONS					
E	B	P	LTR	DESCRIPTION	DATE	DWN	APVD
		B1		REVISED PER ECO-11-005033	01APR11	RK	HMR
		C		REVISED PER ECO-12-009395	17MAY12	TITAN	MARTIN

NOTES:

- 1 PACK IN ACCORDANCE WITH AMP SPEC 107-3275
- 2 100 TRAY PACK IN ACCORDANCE WITH AMP SPEC 107-3275
- 3 Au PLATING
- 4 Ni PLATING
- 5 FOR TECHNICAL DATA REFER TO YOUR LOCAL TE CONNECTIVITY SALES OFFICE
- 6 ALL DIMENSIONS ARE NOMINAL FOR REFERENCE ONLY UNLESS OTHERWISE STATED



Obsolete	Obsolete	Obsolete	Obsolete			
1	1	-	-	PTFE	INSULATION	4
-	-	1	1	PTFE	INSULATION	3
1	1	1	1	PHOSPHOR BRONZE 3	CONTACT	2
1	1	1	1	ZINC 4	BODY	1
5--3	5--2	5--1	5--0	MATERIAL	DESCRIPTION	ITEM
1	2	1	2			
QUANTITY PER ASSY				PARTS LIST		

THIS DRAWING IS A CONTROLLED DOCUMENT.		DWN RITA ZUO 11 Mar 09	 TE Connectivity			
DIMENSIONS: mm		CHK ANSON MA 11 Mar 09				
TOLERANCES UNLESS OTHERWISE SPECIFIED:		APVD BOB ZHAO 11 Mar 09				
0 PLC ± - 1 PLC ± - 2 PLC ± - 3 PLC ± - 4 PLC ± - ANGLES ± - MATERIAL SEE TABLE FINISH SEE TABLE		NAME 108-112000 APPLICATION SPEC				
MATERIAL SEE TABLE		PRODUCT SPEC	TNC STRAIGHT PCB SOCKET 50 & 75 OHM			
		WEIGHT -	SIZE A3	CAGE CODE 00779	DRAWING NO C-1814805	RESTRICTED TO -
CUSTOMER DRAWING		SCALE NTS	SHEET 1 OF 1	REV C		