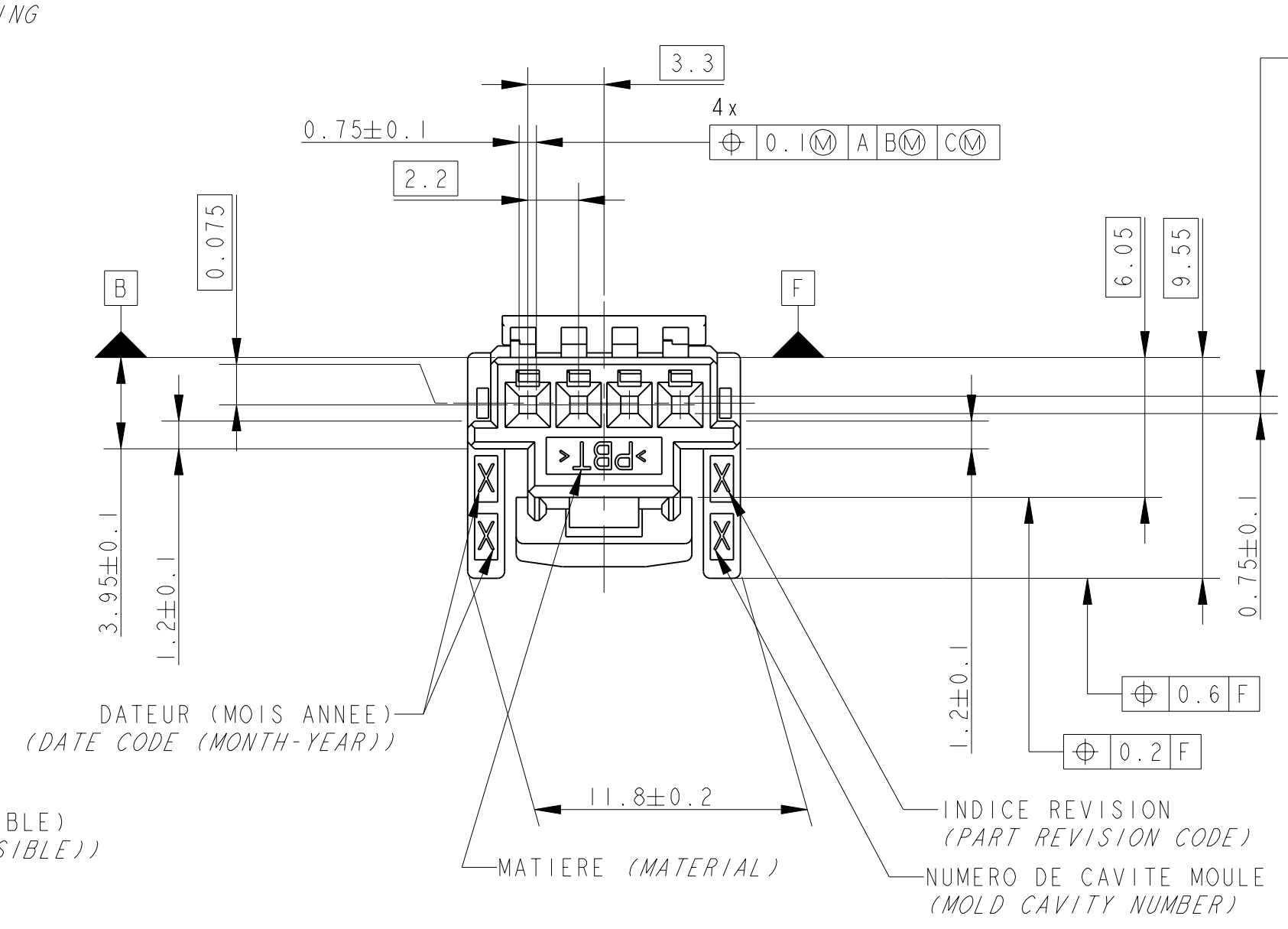
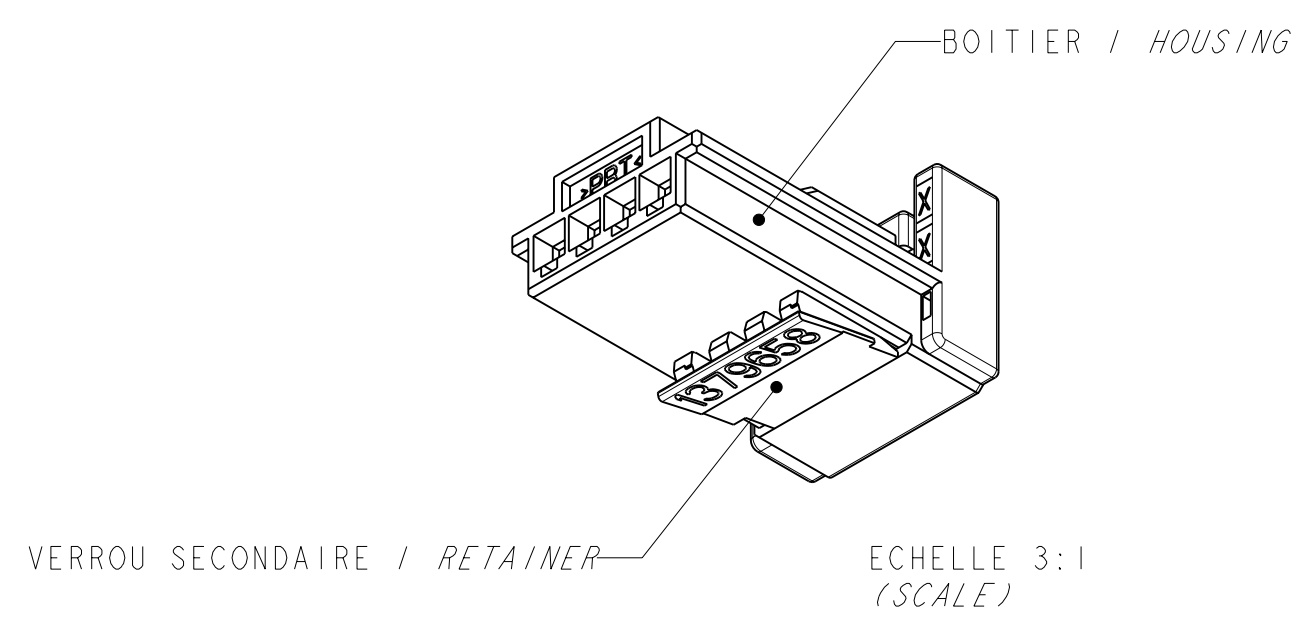


LOC	DIST	REVISIONS			
F	00	REV	DESCRIPTION	DATE	DWN
		A	ADD GOLDED CONTACT REFERENCE	21OCT2005	BD
		B	TYCO ELECTRONICS LOGO CHANGED	03JUN2006	BD

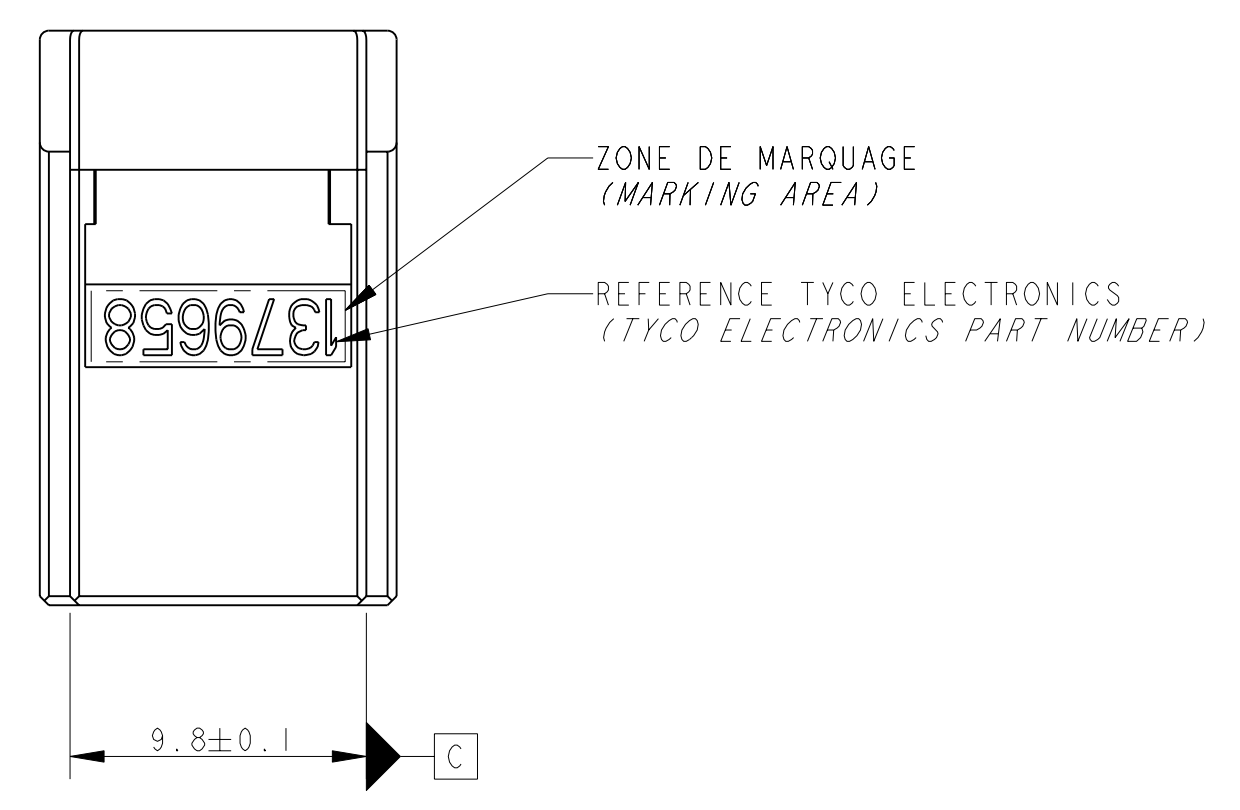
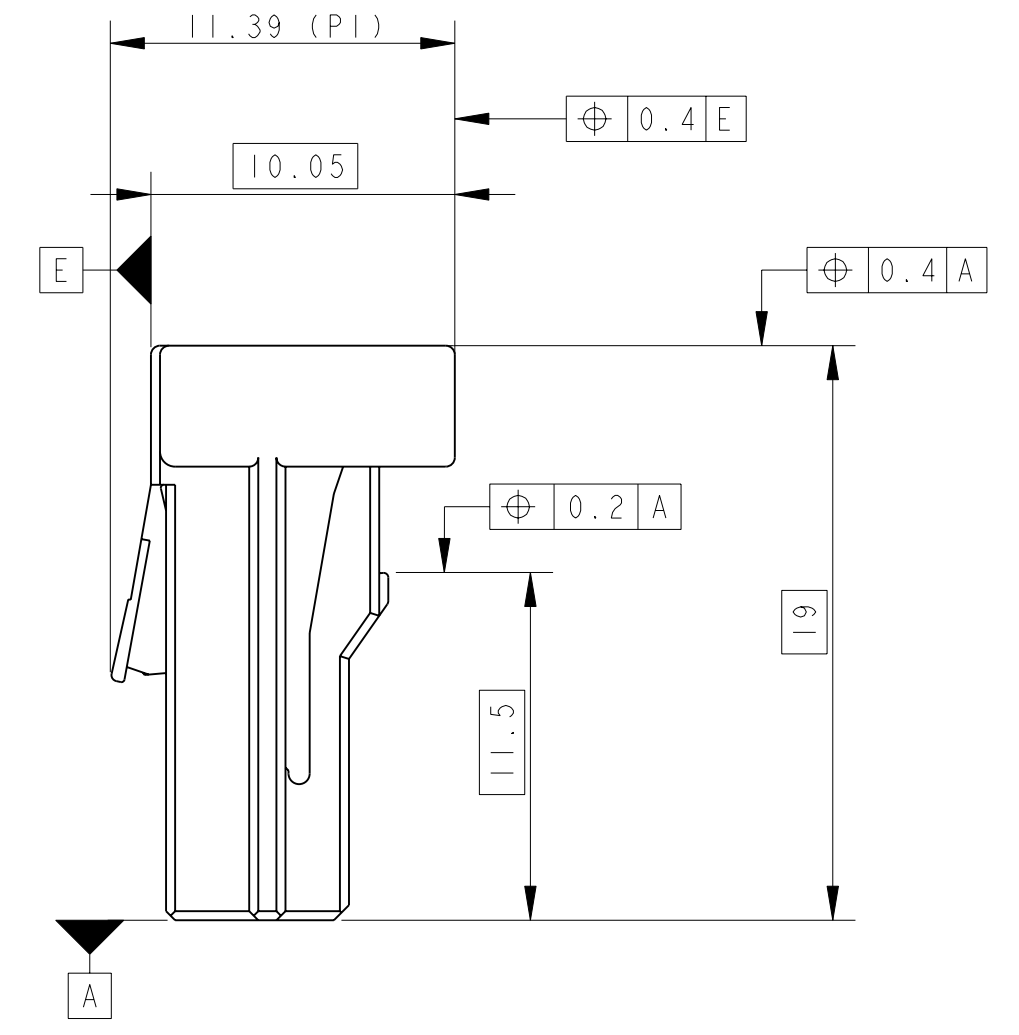
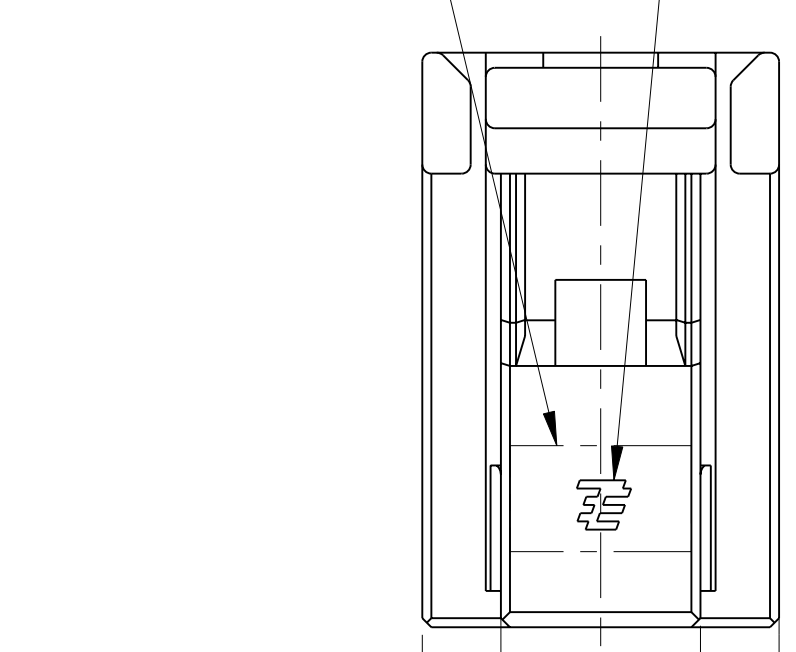


NOTES : LES NOTES LOCALES SONT ENTRE <->
SPECIFICATIONS DE REFERENCE :
2 SPECIFICATION TYCO ELECTRONICS : 108-15299
4 PLAN D'INTERFACE TYCO ELECTRONICS : 1379774
NOTES COMPLEMENTAIRES :
12 CAHIER DE PRECONISATION : 411-15672
13 REFERENCE REPRESENTEE : 1379658-1
14 VERRU SECONDAIRE PREVERROUILLE (POSITION PREFERENTIELLE DE LIVRAISON). SI LE VERRU N'EST PAS DANS CETTE POSITION, SUIVRE LES INSTRUCTIONS DE LA NOTICE TECHNIQUE TYCO 411-15672 §8.2
15 LIGNE BLANCHE AUTORISEE SUR CHARNIERE
PI POUR INFORMATION

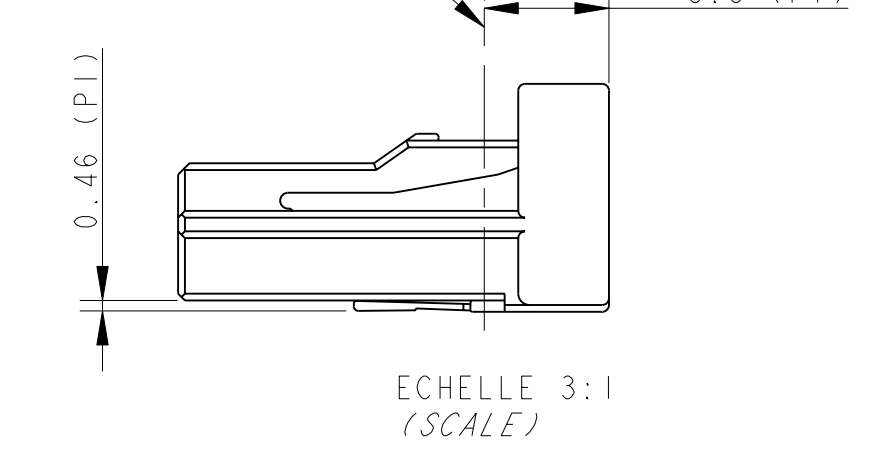
LOCALE NOTES ARE BETWEEN <->
APPLICABLE SPECIFICATION :
TYCO ELECTRONICS SPECIFICATION (SEE BEFORE)
TYCO ELECTRONICS INTERFACE DRAWING (SEE BEFORE)
ADDITIONAL NOTES :
INSTRUCTION SHEET : (SEE BEFORE)
PART NUMBER SHOWN (SEE BEFORE)
SECONDARY LOCK IN PRELOCKED POSITION (PREFERRED DELIVERY POSITION). IF SECONDARY LOCKING IS NOT IN THIS POSITION, FOLLOW INSTRUCTIONS OF TYCO SPECIFICATION 411-15672 §8.2
WHITE LINE PERMISSIBLE ON HINGE FOR REFERENCE ONLY

LOGO TYCO ELECTRONICS (ANCIEN LOGO POSSIBLE) / (TYCO ELECTRONICS LOGO (FORMER LOGO POSSIBLE))

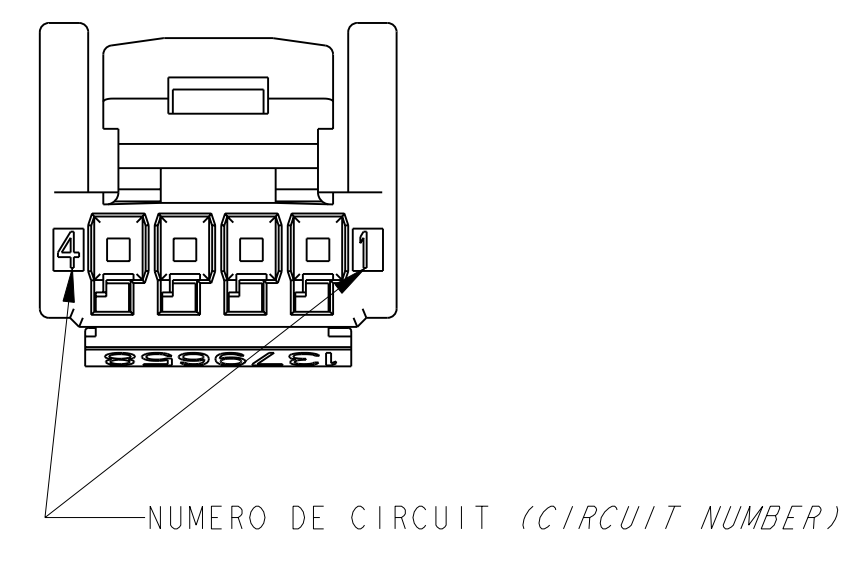
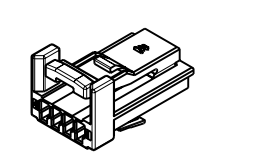
ZONE DE MARQUAGE / (MARKING AREA)



CETTE LIGNE REPRESENT LE HAUT DE LA CONTRE-PARTIE / (THIS LINE REPRESENTS THE HEADER FLANGE)



VERRU SECONDAIRE EN POSITION VERROUILLE / (SECONDARY LOCKING IN CLOSED POSITION)



CONTACTS ASSOCIES LISTE NON EXHAUSTIVE / (APPLIED CONTACTS NON EXHAUSTIVE LIST)

REF TYCO ELECTRONICS / (TYCO ELECTRONICS PN)	FINITION / (FINISH)	DESIGNATION / (DESIGNATION)
1123343-2	DORE (0.38µm) / GOLDED (0.38µm)	CLIP .635 (.635 CONTACT) 0.35 A 0.5 MM ² (SQMM)
1801069-2	DORE (0.8µm) / GOLDED (0.8µm)	CLIP .635 (.635 CONTACT) 0.35 A 0.5 MM ² (SQMM)
1674298-1	ETAME (TINNED)	CLIP .635 (.635 CONTACT) 0.35 A 0.5 MM ² (SQMM)

REF TYCO ELECTRONICS / TYCO ELECTRONICS PN	DESCRIPTION / DESCRIPTION	CODAGE / KEYING	MATIERE / MATERIAL	COULEUR / COLOR	REVISION PIECE / PART REVISION
1379658-2	CONNECTEUR 4 VOIES / 4 WAY CONNECTOR	2 / 2	PBT / PBT	GRIS / GREY	A
1379658-1	CONNECTEUR 4 VOIES / 4 WAY CONNECTOR	1 / 1	PBT / PBT	NOIR / BLACK	A

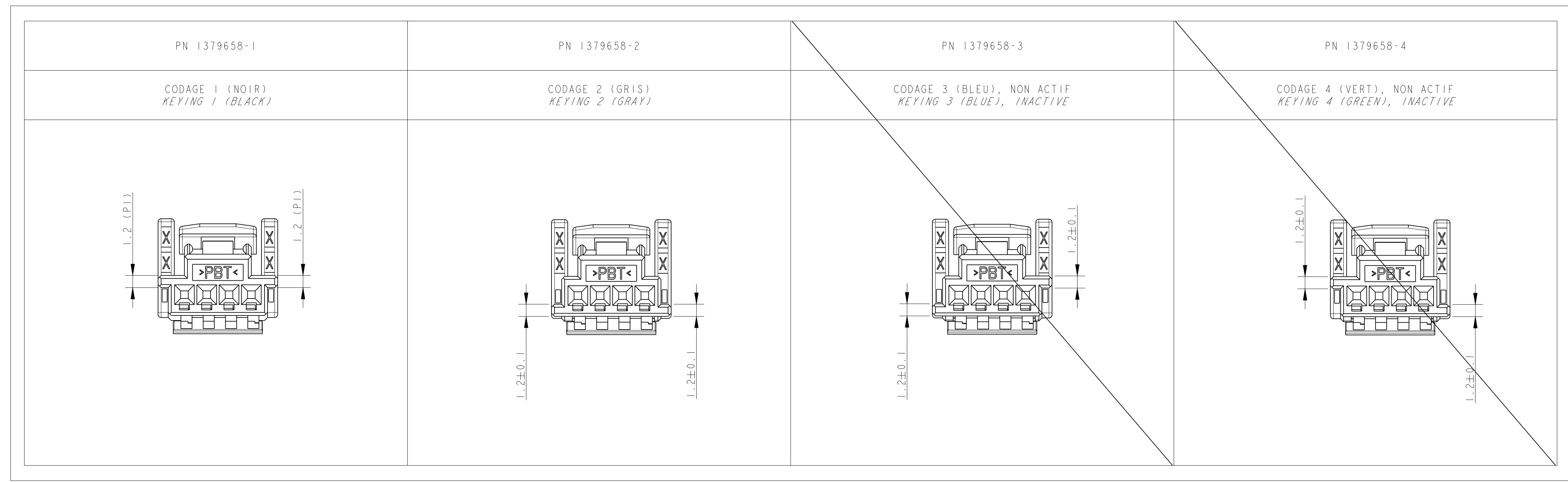
TYCO ELECTRONICS France SAS
BP 39, 95301 CERGY-POINTEUSE Cedex

025 TH 4 POS PLUG HOUSING

00779 1379658

SCALE 4:1 SHEET 1 OF 2 REV B

LOC	DIST	REVISIONS						
F	00	P	LTB	REV	DESCRIPTION	DATE	DWN	APP
		-	-	-	SEE SHEET 1	-	-	-



THIS DRAWING IS UNPUBLISHED. RELEASED FOR PUBLICATION DITECTION RESTRICTION. LIBRE A LA DIFFUSION BY TYCO ELECTRONICS CORPORATION. ALL RIGHTS RESERVED. TOUS DROITS RESERVEES.		DWN / DESIGNE: 29OCT2002 D. BANCE		TYCO ELECTRONICS France SAS BP 39, 95301 CERGY-PONTOISE Cedex	
DIMENSIONS: mm		TOLERANCES UNLESS OTHERWISE SPECIFIED: DIMENSIONS NON SPECIFIEES: (SUIVY NO DE DECIMALES): 0 P.L.C / DEC: ±0.2 1 P.L.C / DEC: ±0.2 2 P.L.C / DEC: ±0.2 3 P.L.C / DEC: ±0.2 4 P.L.C / DEC: ±0.2 ANGLES: ±5°		NAME: 025 TH 4 POS PLUG HOUSING	
MATERIAL / MATIERE: SEE TABLE		FINISH / FINITION:		APVD / APPROUVE: B. DUPONT DATE: 04NOV2002 PRODUCT SPEC: SEE TABLE SPEC. PRODUCT: SEE TABLE APPLICATION SPEC: SEE TABLE SPEC. APPLICATION: SEE TABLE	
WEIGHT / MASSE APPROX.:		FINISH / FINITION:		SIZE / FORMAT: A1 CAGE CODE: 00779 DRAWING NO: 1379658	
CUSTOMER DRAWING / PLAN CLIENT		UN / EQUIPEMENT:		RESTRICTED TO RESERVE A:	
SCALE / ECHELLE: 4:1		SHEET / FEUILLE: 2 OF 2		REV: B	