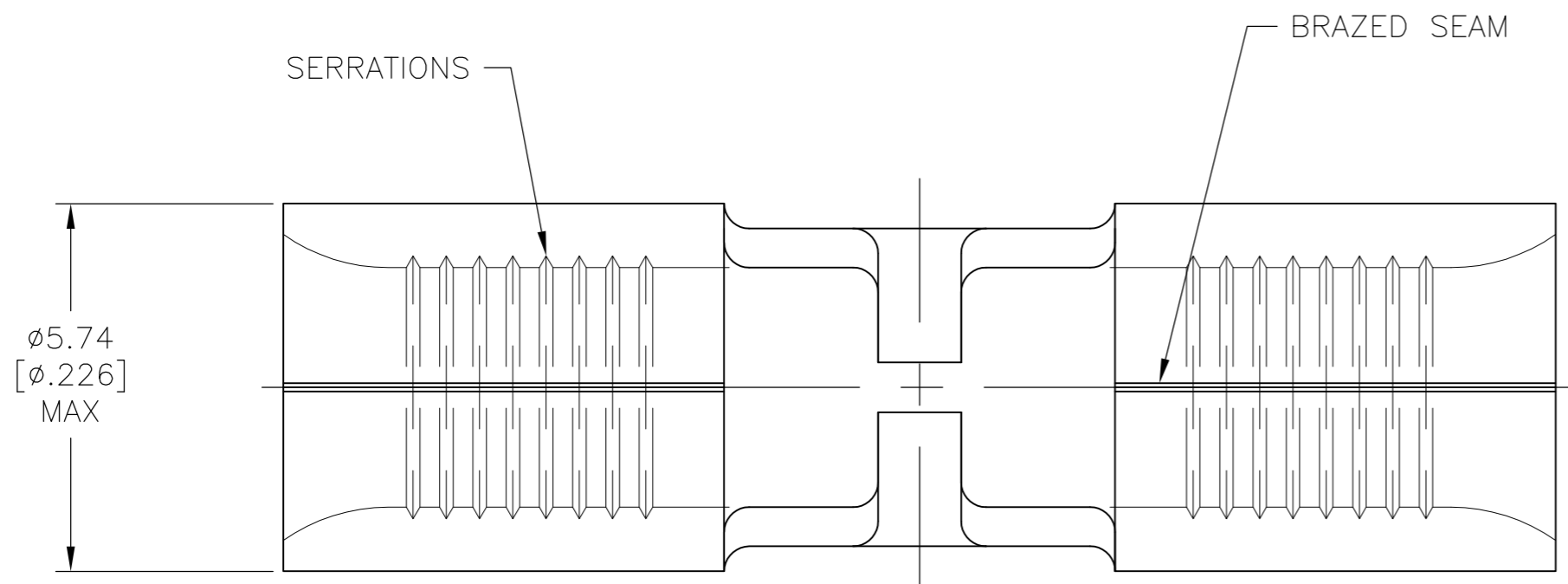


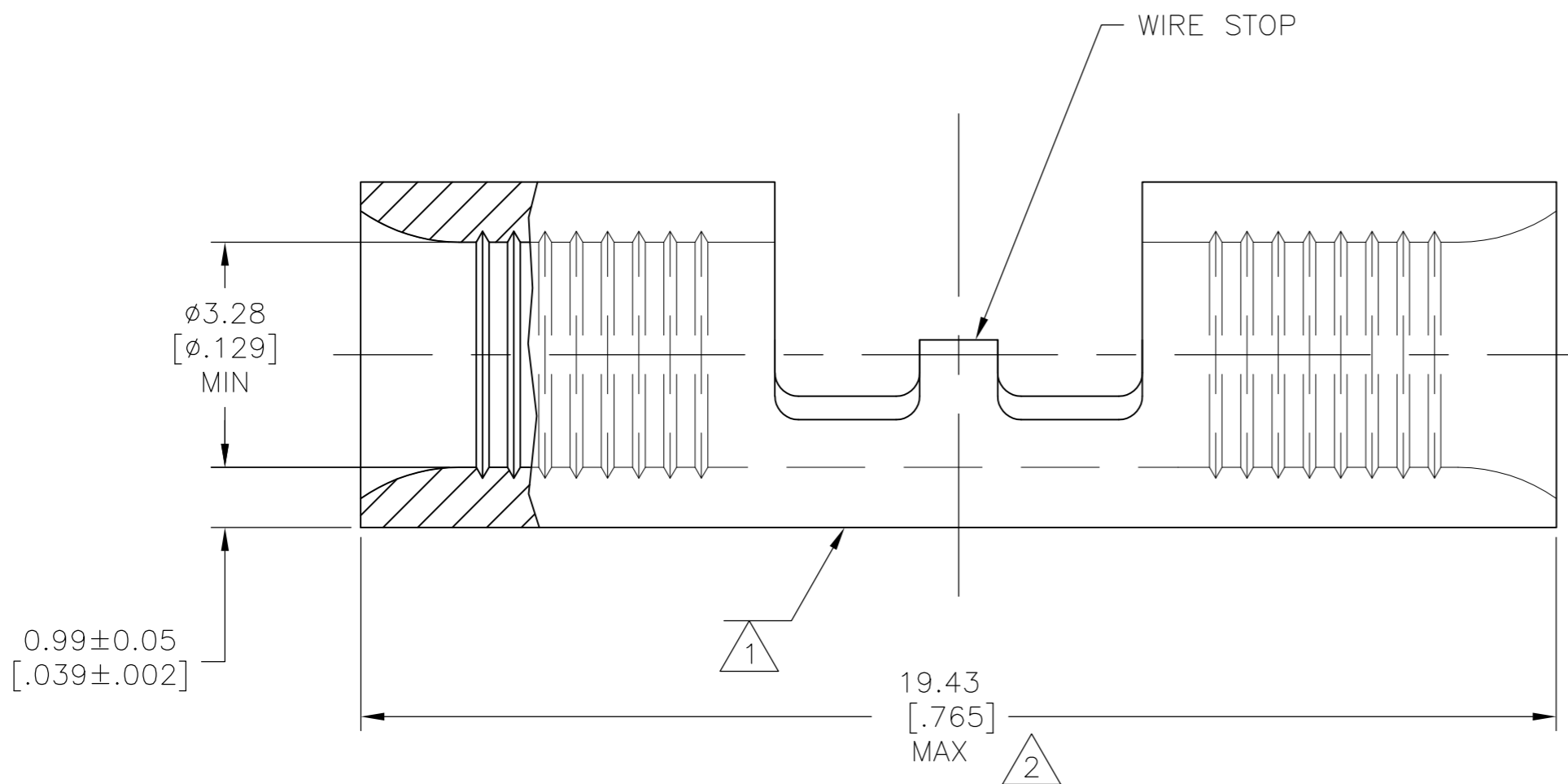
THIS DRAWING IS UNPUBLISHED. RELEASED FOR PUBLICATION
 © COPYRIGHT - By - ALL RIGHTS RESERVED.

LOC	DIST	REVISIONS			
P	LTR	DESCRIPTION	DATE	DWN	APVD
G	14				
		C	REVISED PER ECO-10-012870	27APR11	HMR DR



AMP
WIRE RANGE

12-10 AWG
SOLID OR STRANDED



- 1 STAMP AMP 12-10* APPROX AS SHOWN
- 2 MAXIMUM LENGTH DOES NOT INCLUDE MANUFACTURING TABS
- 3 COPPER PER ASTM B152, ANNEALED
- 4 GOLD PLATE 0.00127[.000050] MIN THK PER ASTM B488 TYPE 1, CPDE C, OVER NICKEL PLATE 0.00127[0.000050] MIN EXT THK PER SAE AMS QQ-N-290 OVER Cu FLASH PER SAE AMS 2418

AMP INCORPORATED CUSTOMER SERVICE SYSTEMS		MAX RECOMMENDED OPERATING TEMPERATURE: 260° C MAX
FOR ADDITIONAL PRODUCT INFORMATION OR COPIES OF DRAWINGS AND TECHNICAL DOCUMENTS	PRODUCT INFORMATION CENTER 1-800-522-6752	VOLTAGE RATING: NOT APPLICABLE
FOR APPLICATION TOOLING INFORMATION	TOOLING ASSISTANCE CENTER 1-800-722-1111	WIRE CROSS SECTIONAL AREA RANGE: 2.62-6.64mm ² [5,180-13,100] CIR MILS SOLID OR STRANDED
FOR ORDER ENTRY	1-800-526-5142	THIS DRAWING IS A CONTROLLED DOCUMENT FOR AMP INCORPORATED. IT IS SUBJECT TO CHANGE AND THE CONTROLLING ENGINEERING ORGANIZATION SHOULD BE CONTACTED FOR THE LATEST REVISION.

500	LOOSE PIECE	328600
QTY	PACKAGING	PART NO

THIS DRAWING IS A CONTROLLED DOCUMENT.		DWN TA BRINKMAN 4-14-93	TE TE Connectivity		
DIMENSIONS: mm [INCHES]		CHK DA PATTERSON 4-14-93			
TOLERANCES UNLESS OTHERWISE SPECIFIED:		APVD DE MILLER 4-14-93	NAME SPLICE, BUTT, STRAP, SOLISTRAND, TM HEAT RESISTANT STRATO-THERM		
0 PLC ± - 1 PLC ± - 2 PLC ± - 3 PLC ± - 4 PLC ± - ANGLES ± -		PRODUCT SPEC APPLICATION SPEC	SIZE A2	CAGE CODE 00779	DRAWING NO C=328600
MATERIAL 3	FINISH 4	WEIGHT -	RESTRICTED TO -	SCALE 10:1	SHEET 1 of 1
CUSTOMER DRAWING			REV C		