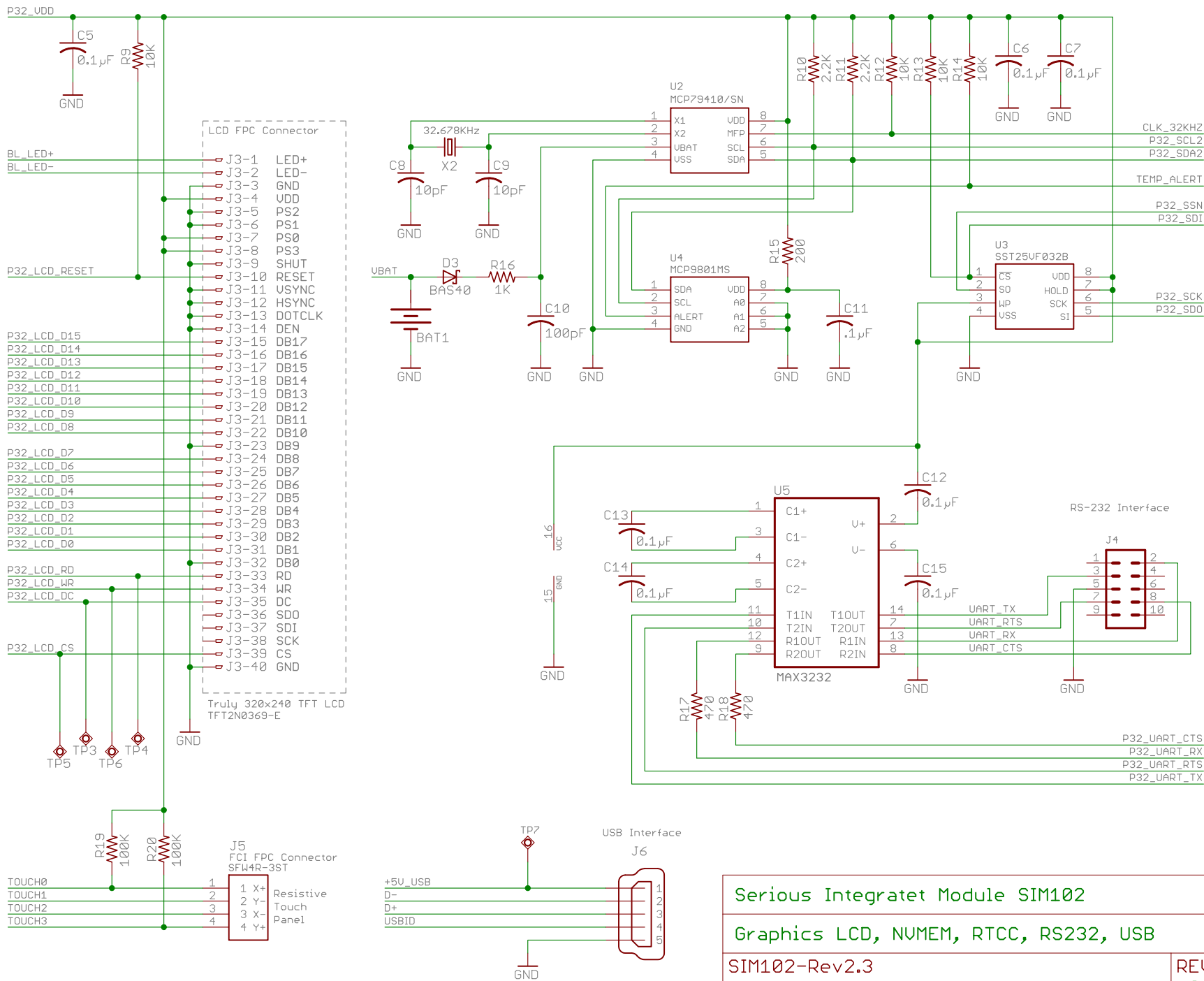


<b>Serial Integrated Module SIM102</b>	
<b>Main controller</b>	
SIM102-Rev2.3 12/23/2010 12:27:18 PM	<b>REV:</b> 2.3
©2010, Serious Integrated, Inc.	<b>Sheet:</b> 1/3



### Serious Integrated Module SIM102

Graphics LCD, NVMEM, RTCC, RS232, USB

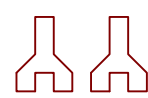
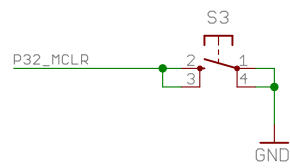
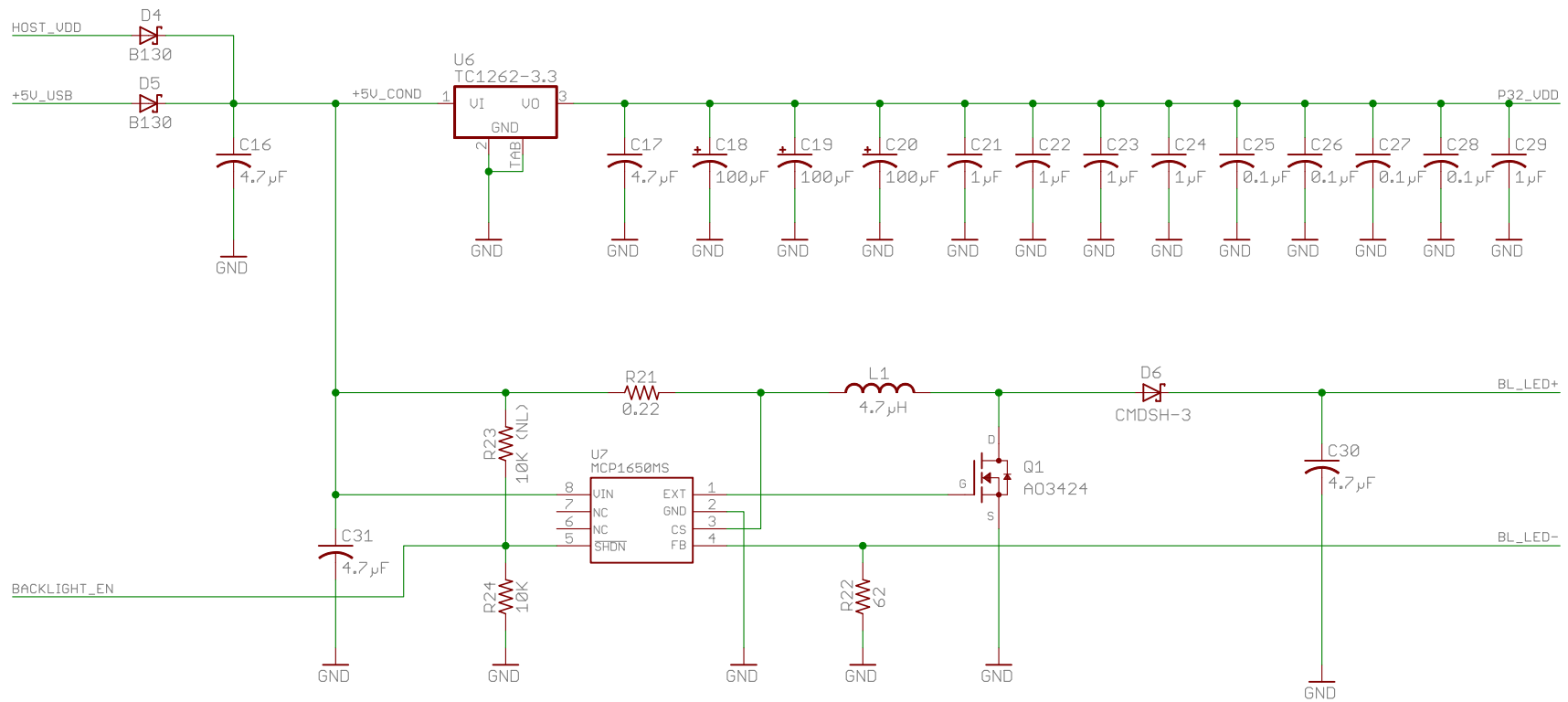
SIM102-Rev2.3

12/23/2010 12:27:18 PM

REV:  
2.3

©2010, Serious Integrated, Inc.

Sheet: 2/3



Serious Integrated Module SIM102	
Voltage Regulator, Backlight booster	
SIM102-Rev2.3	REV: 2.3
12/23/2010 12:27:18 PM	
©2010, Serious Integrated, Inc.	Sheet: 3/3