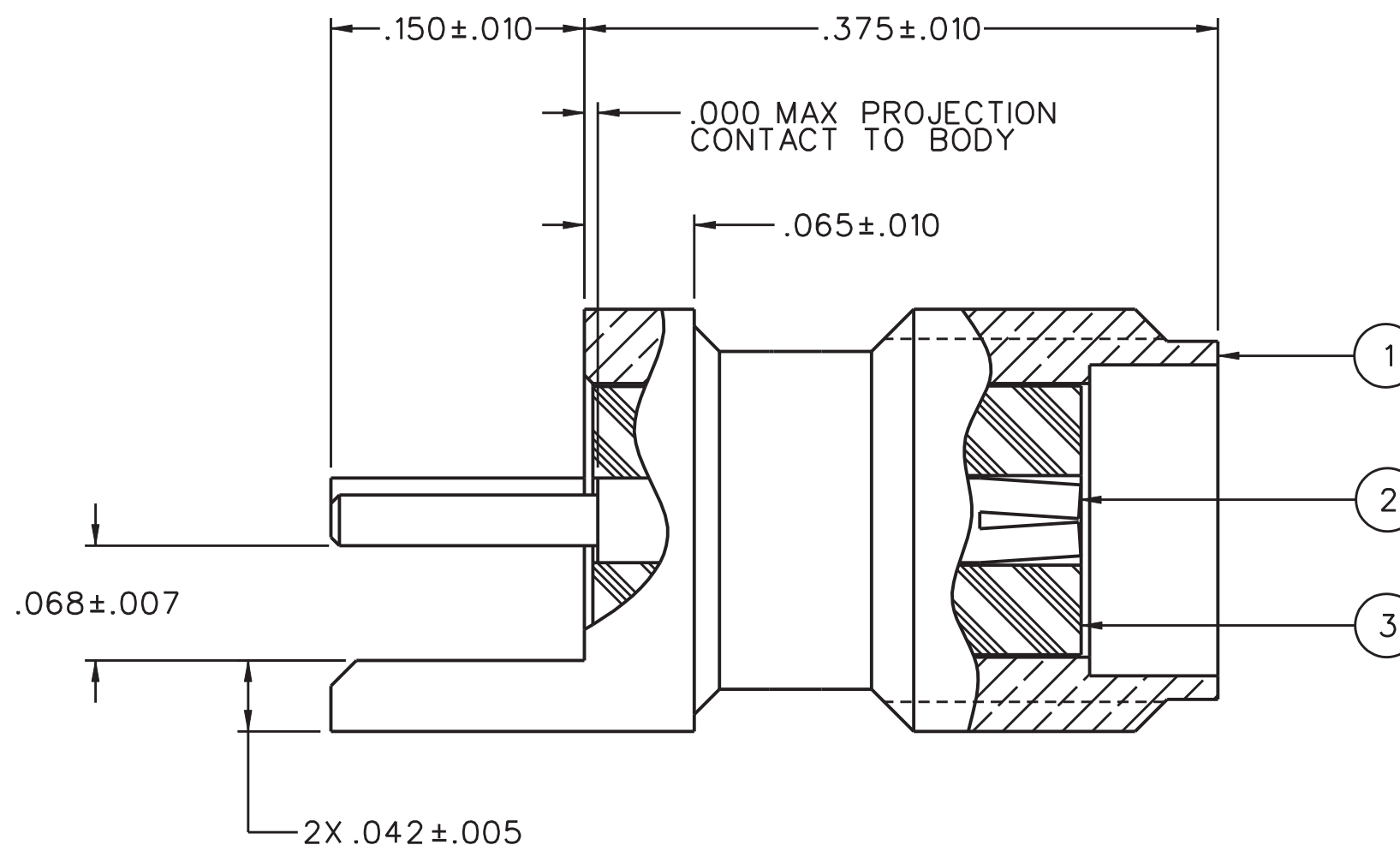
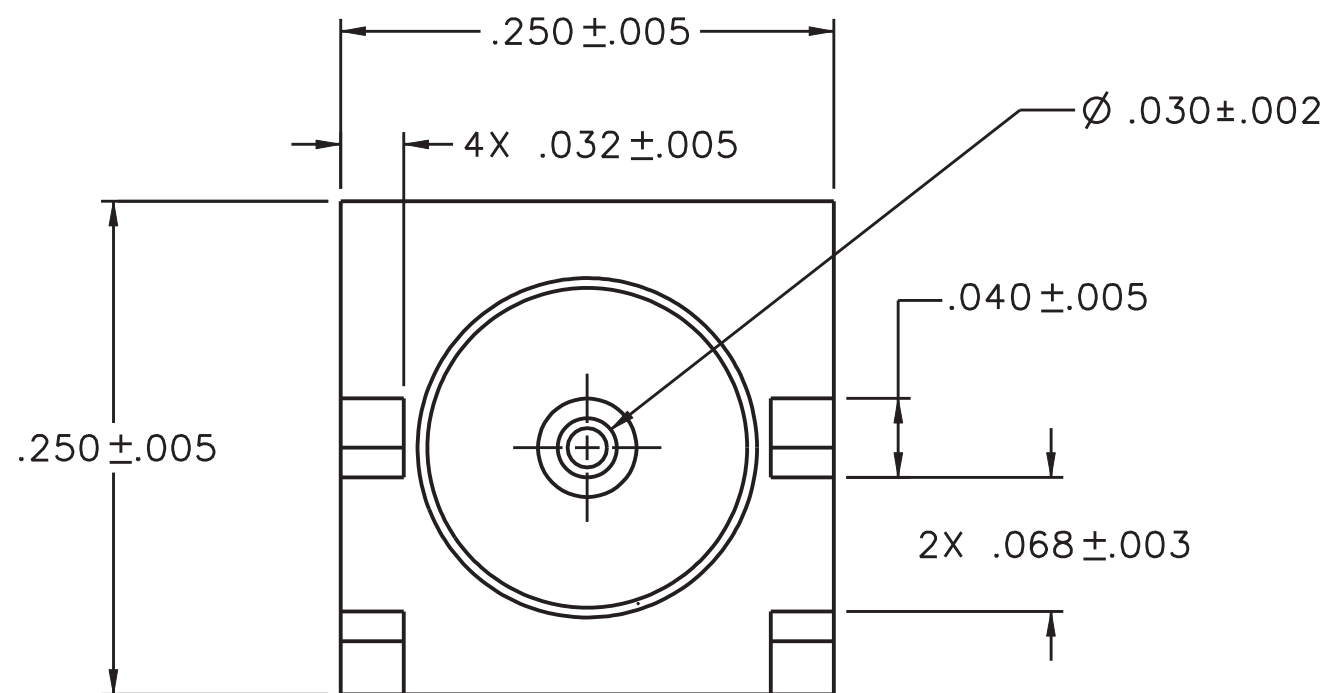


| PART NUMBER | ITEM ① BODY | ITEM ② CONTACT | ITEM ③ INSULATOR |
|--------------|---|--|---------------------|
| 142-0711-821 | BRASS GOLD PL .00001 MIN OVER NICKEL PL .00005 MIN OVER COPPER PL .00005 MIN | BERYLLIUM COPPER GOLD PL .00005 MIN OVER NICKEL PL .00005 MIN OVER COPPER PL .00005 MIN | TEFLON |
| 142-0711-826 | BRASS NICKEL PL .0001 MIN OVER COPPER PL .00005 MIN | BERYLLIUM COPPER GOLD PL .00005 MIN OVER NICKEL PL .00005 MIN OVER COPPER PL .00005 MIN | TEFLON |

| | |
|---------------------|--|
| DRAWING NO. | |
| C | - 142-0711-821/830 |
| 0 | REVISIONS |
| ENGINEERING RELEASE | |
| I | 8-13-96 R H J T R H K A K J B ECN 44165 |



NOTES:

1. SPECIFICATIONS:

IMPEDANCE: 50 OHMS
 FREQUENCY RANGE: 0-18 GHz
 VSWR: NOT APPLICABLE
 WORKING VOLTAGE: 335 VRMS MAX AT SEA LEVEL
 DIELECTRIC WITHSTANDING VOLTAGE: 1000 VRMS MIN AT SEA LEVEL
 INSULATION RESISTANCE: 5000 MEGOHM MIN
 CONTACT RESISTANCE:
 CENTER CONTACT - INITIAL 3.0 MILLIOHM MAX, AFTER ENVIRONMENTAL 4.0 MILLIOHM MAX
 OUTER CONDUCTOR - INITIAL 2.0 MILLIOHM MAX AFTER ENVIRONMENTAL NOT APPLICABLE
 BRAID TO BODY - NOT APPLICABLE
 CORONA LEVEL: 250 VOLTS MIN AT 70,000 FEET
 INSERTION LOSS: NOT APPLICABLE
 RF LEAKAGE: NOT APPLICABLE
 RF HIGH POTENTIAL WITHSTANDING VOLTAGE: 670 VRMS MIN AT 4 AND 7MHz

MECHANICAL:

ENGAGE/DISENGAGE TORQUE: 2 INCH-POUNDS MAX
 MATING TORQUE: 8 INCH POUNDS MAX
 COUPLING PROOF TORQUE: NOT APPLICABLE
 COUPLING NUT RETENTION: NOT APPLICABLE
 CONTACT RETENTION: 6 LBS MIN AXIAL FORCE
 4 IN-OZ MIN RADIAL TORQUE
 CABLE ACCEPTABILITY: NOT APPLICABLE
 CABLE HEX CRIMP SIZE: NOT APPLICABLE
 CABLE RETENTION: NOT APPLICABLE
 DURABILITY: 500 CYCLES MIN

ENVIRONMENTAL:

(MEETS OR EXCEEDS THE APPLICABLE PARAGRAPH OF MIL-PRF-39012)
 THERMAL SHOCK: MIL-STD-202, METHOD 107, CONDITION B
 OPERATING TEMPERATURE: -65 DEG C TO 165 DEG C
 CORROSION: MIL-STD-202, METHOD 101, CONDITION B
 SHOCK: MIL-STD-202, METHOD 213, CONDITION I
 VIBRATION: MIL-STD-202, METHOD 204, CONDITION D
 MOISTURE RESISTANCE: MIL-STD-202, METHOD 106

CUSTOMER DRAWING

THIS DRAWING TO BE INTERPRETED PER ASME Y 14.5M - 1994

"μSTATION"

COMPANY CONFIDENTIAL

| | | | |
|--------------------------------------|-------------------------|-------------------------------------|---|
| TOLERANCE UNLESS OTHERWISE SPECIFIED | DRAWN BY JRK | DATE 6-12-96 | Cinch Connectivity Solutions P.O. Box 1732 Waseca, MN 56093 1-800-247-8256 |
| DECIMALS _____ mm _____ | CHECKED BY TAK | DATE 8-13-96 | |
| .XXX _____ | APPROVED BY RJB | DATE 8-14-96 | TITLE JACK ASSEMBLY END LAUNCH SMA |
| MATL _____ | RELEASE DATE 8-14-96 | SCALE 10:1 | SHEET 2 OF 2 |
| FINISH _____ | U/M INCH | DRAWING NO. C - 142-0711-821/830 | |