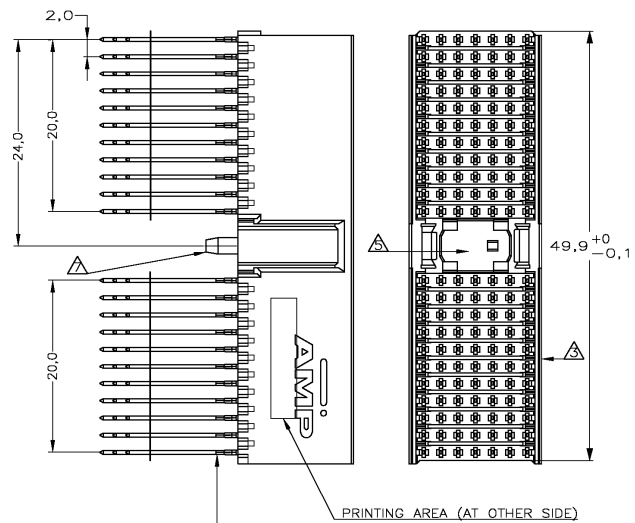
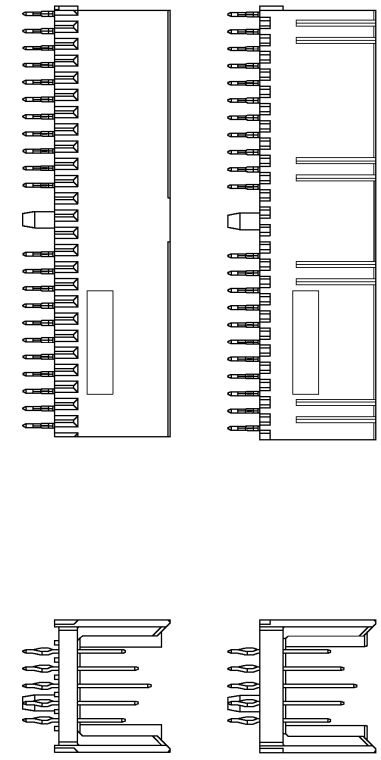


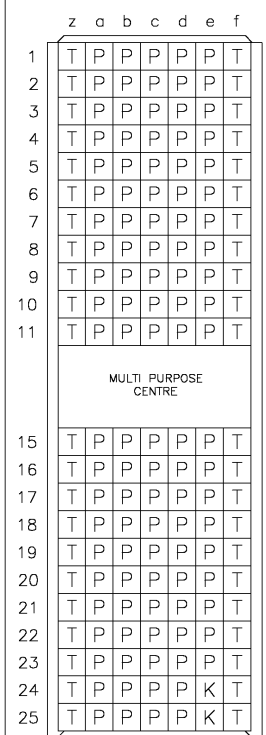
CONNECTOR ASSEMBLY EXEMPLARY LOADED



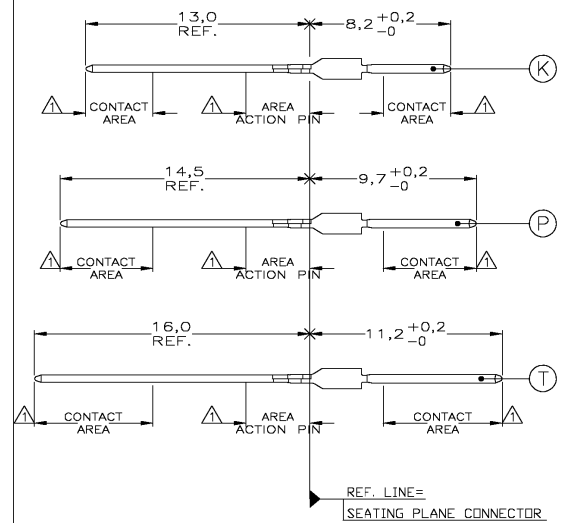
CONNECTOR APPEARANCES POSSIBLE VERSIONS



CONTACT LAYOUT

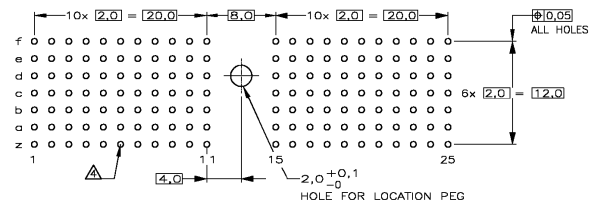


CONTACT DIMENSIONS



NOTES:

- △ FOR FINISH TYPES SEE PLATING TABLE.
- △ MATERIAL CONTACT: PHOSPHORBRONZE.
MATERIAL POST ALIGNMENT STRIP: UNFILLED POLYESTER
MATERIAL HOUSING: GREY GLASSFILLED POLYESTER
UL-RATING 94V0.
- △ CONNECTOR MARKED WITH PART NUMBER AND DATE CODE.
(OTHER MARKING OPTIONAL)
- △ PLATED-THROUGH HOLES AT 2x2mm SQUARE GRID.
- △ AREA FOR KEYING PART (BASIC PART NUMBER 100525).
- △ FOR ACTUAL PIN LOADING SEE "CONTACT LAYOUT".
- △ LOCATION PEG.
- △ CONNECTOR LUBRICATED WITH BELCORE.
APPROVED LUBRICANT TECHNICAL REFERENCE
TR-NWT-001217 ISSUE 1 SEPT 1992



RECOMMENDED PCB-HOLE LAY-OUT COMPONENT SIDE SHOWN

P.C.B. HOLE DIM. ACTION PIN	
DRILLED HOLE:	0,7 ± 0,025mm
FIN. HOLE :	0,55 TO 0,65mm
Cu-thks :	0,025 TO 0,050mm
SnPb-thks :	0,004 TO 0,010mm

LOC	DIST	REVISIONS			
P	LTR	DESCRIPTION	DATE	DWN	APVD
□		EH-0394-94	24-JUN-94	LvdH	-
A		SR10-0332-01	31-JUL-01	FB	-

PART NUMBER	UNDER-COATING µm Ni MIN.	CONTACT AREA µm Au MIN.	ACTION-PIN AREA µm Sn/Pb	CONSERVATION TREATMENT	MATERIAL
0-188257-9	1,27	0,76	0,5-2,5	Yes △	△
0-188257-1	1,27	0,76	0,5-2,5	No	△

THIS DRAWING IS A CONTROLLED DOCUMENT. DW: Frederik Beun 31-JUL-01

Tyco Electronics Tyco Electronics Corporation Oostkamp - BELGIUM

PRODUCT SPEC: 108-19082
APPLICATION SPEC: 114-19029

SIZE: A2 CAGE CODE: 00779 DRAWING NO: 188257 RESTRICTED TO: -

CUSTOMER DRAWING SCALE: 5:1 SHEET 1 OF 1 REV A