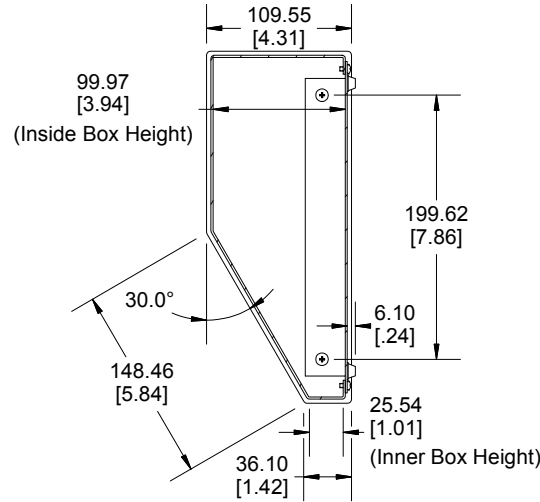
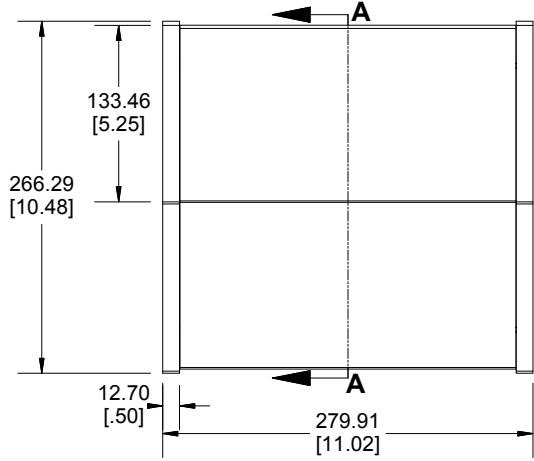


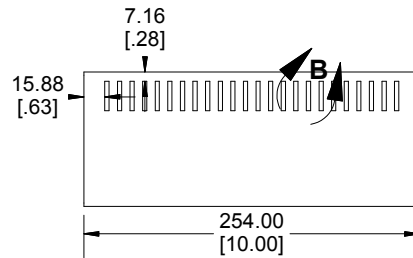
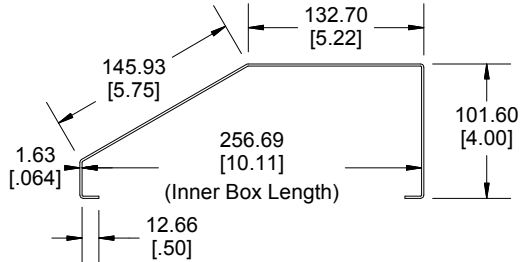
SECTION A-A
Side View of Assembly



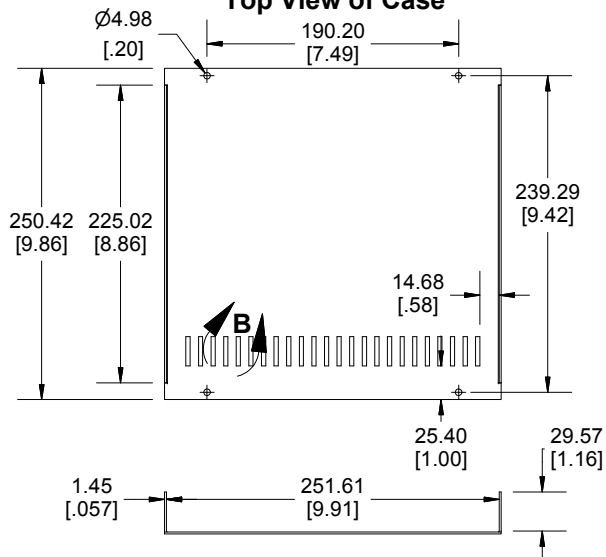
Top View of Assembly



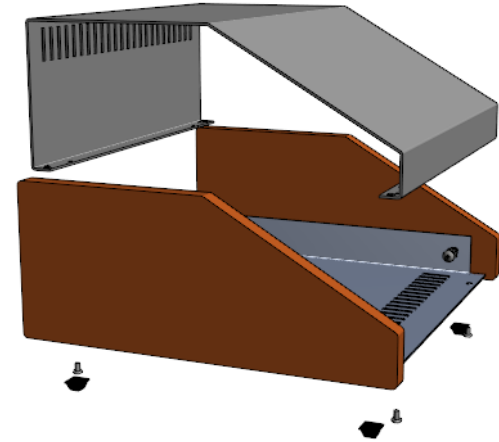
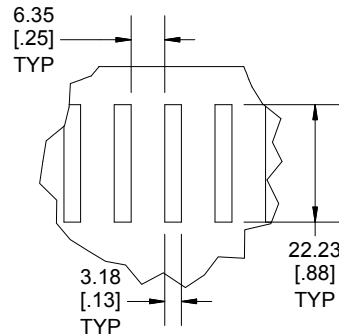
Side View of Top Panel



Top View of Case



DETAIL B



Enclosures can be Factory Modified (Milling, Drilling, Printing etc.)
Contact Factory mjm@hammondmfg.com for quotes
Solid models of this enclosure available in STEP or IGES.

NOTE

Case Includes Wooden Sides, Adhesive Rubber Feet and Required Hardware.
Enclosure Case is Made of 0.057" Steel.
Top Panel is Made of 0.064" Aluminum.

PART NUMBERS

1456KK4WHCWW Enclosure

Beige Top and Black Case

1456KK4WHCWW

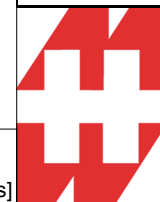
ACCESSORIES

Plated Cover Screws (Pkg 6)
[6-32 x 1/4" Self-Tapping Screws]

1421J6

Black Self-Adhesive Rubber Feet (Pkg 24)

1421T3



HAMMOND
MANUFACTURING™

1456KK4CWW

www.hammondmfg.com

Note

Dimensions: mm
[inches]