

4

3

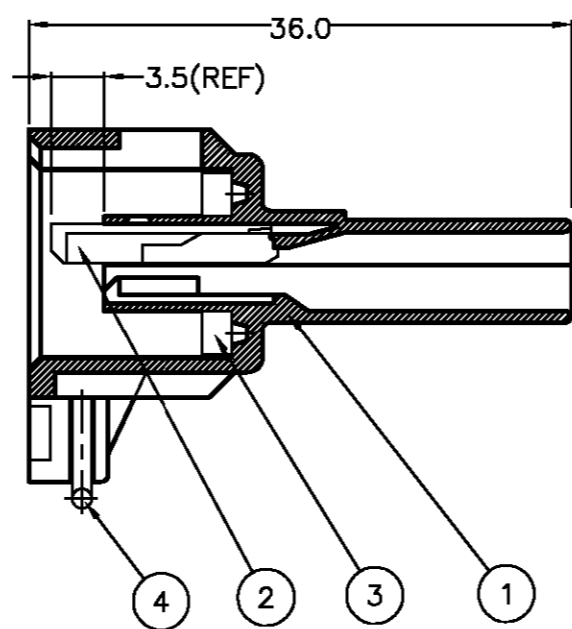
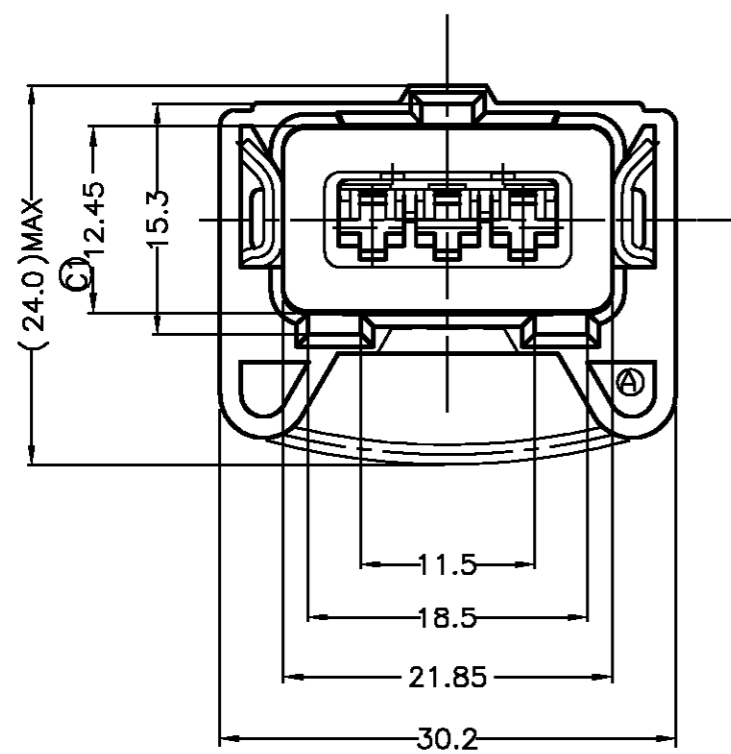
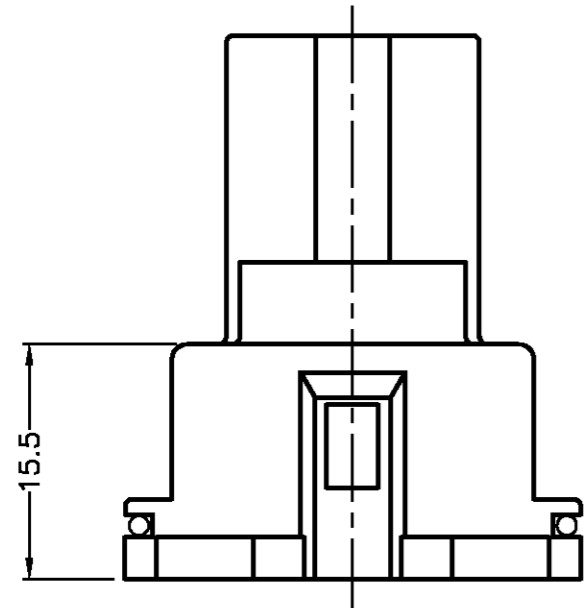
2

1

THIS DRAWING IS UNPUBLISHED. RELEASED FOR PUBLICATION

© COPYRIGHT BY TYCO ELECTRONICS CORPORATION. ALL RIGHTS RESERVED.

LOC	DIST	REVISIONS					
		P	LTR	DESCRIPTION	DATE	DWN	APVD
DS	-		O	RELEASED	25/JAN/95	JC	JK
			A	REVISED(RD97-043)	24/FEB/97	YD	CS
			B	REVISED(RD97-073)	4/APR/97	YD	CS
			C	REVISED(FC00-0085-99)	2/JULY/99	YD	CS
			C1	REVISED(ECR-07-020197)	24/AUG/07	YC	JK



* NOTES *

1. APPLICABLE CONTACT P/NO: 927770/927766

2. APPLICABLE WIRE SEAL P/NO: 828904/828905/368064

NO	COLOR	MATERIAL	DESCRIPTION	P/NO	REQUIRED QTY
4		SUS 304	SPRING	85388-1	1
3	ORANGE	SILICONE	SEAL RUBBER	85384-1	1
2	YELLOW	PBT	SPACER	85207-1	1
1	GREEN	PBT 30% GF	JPT 3P HSG FOR STANDARD	85206-3	1
1	BLUE	PBT 30% GF	JPT 3P HSG FOR STANDARD	85206-2	1
1	BLACK	PBT 30% GF	JPT 3P HSG FOR STANDARD	85206-1	1

DESCRIPTION	P/NO
JPT 3P ASS'Y FOR STANDARD	85205-3
JPT 3P ASS'Y FOR STANDARD	85205-2
JPT 3P ASS'Y FOR STANDARD	85205-1

DIMENSIONS: MM		TOLERANCES UNLESS OTHERWISE SPECIFIED:	
		0<XX<10 ± 0.2	
		10<XX<30 ± 0.25	
		30<XX<100 ± 0.3	
		ANGLES ± 3°	
MATERIAL	-	FINISH	-

THIS DRAWING IS A CONTROLLED DOCUMENT FOR TYCO ELECTRONICS CORPORATION. IT IS SUBJECT TO CHANGE AND THE CONTROLLING ENGINEERING ORGANIZATION SHOULD BE CONTACTED FOR THE LATEST REVISION.

DWN YC LEE
CHK YM CHOI
APVD JK SONG

Tyco Electronics AMP KOREA, kyungsan, korea

NAME: JPT 3P ASS'Y FOR STANDARD

PRODUCT SPEC: 108-61000
APPLICATION SPEC: 114-18018

SIZE: A3 CAGE CODE: 00779 DRAWING NO: 85205 RESTRICTED TO: -

WEIGHT: 6.20g

CUSTOMER DRAWING SCALE: 2/1 SHEET: 1 OF 1 REV: C1