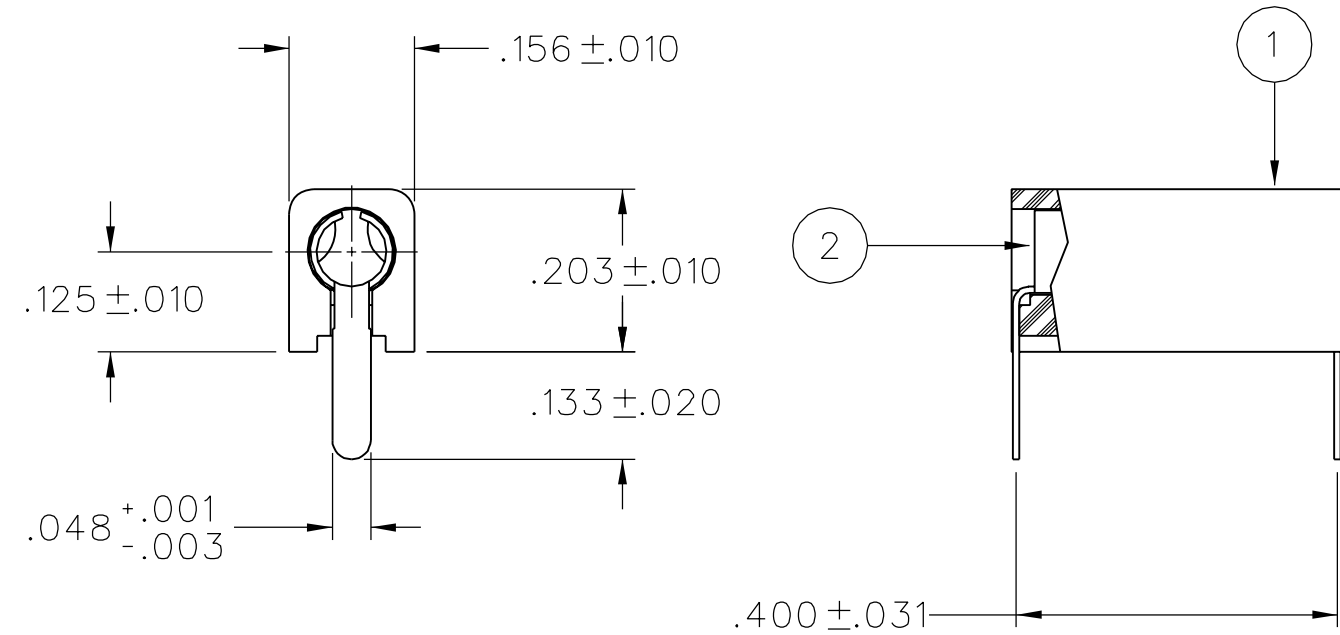
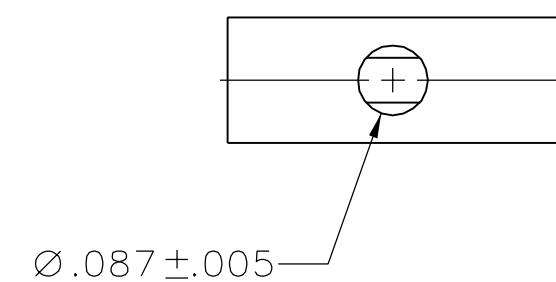
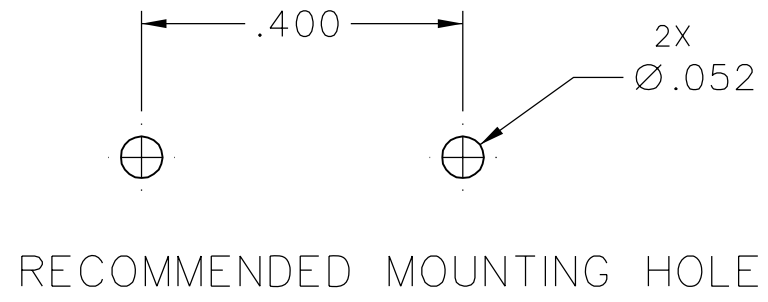


| ITEM ① | | ITEM ② | |
|--------------|-------|--------|--|
| PART NUMBER | BODY | COLOR | CONTACT |
| 105-0751-001 | NYLON | WHITE | COPPER ALLOY 688 SILVER PL .0001 MIN OVER COPPER PL .00001 MIN |
| 105-0752-001 | | RED | |
| 105-0753-001 | | BLACK | |
| 105-0754-001 | | GREEN | |
| 105-0755-001 | | | |
| 105-0756-001 | | ORANGE | |
| 105-0757-001 | | YELLOW | |
| 105-0758-001 | | BROWN | |
| 105-0759-001 | | | |
| 105-0760-001 | | BLUE | |
| 105-0761-001 | | | |
| 105-0762-001 | | VIOLET | |
| 105-0763-001 | | GRAY | |
| 105-0764-001 | | | |
| 105-0765-001 | | | |
| 105-0766-001 | | | |
| 105-0767-001 | | | |
| 105-0768-001 | | | |
| 105-0769-001 | | | |
| 105-0770-001 | | | |



NOTES:
 SPECIFICATIONS:
 ELECTRICAL:
 CURRENT RATING: 5 AMPS DC MINIMUM
 DIELECTRIC WITHSTANDING VOLTAGE: 2100 VRMS MIN AT SEA LEVEL
 RECOMMENDED WORKING VOLTAGE: 1500 VRMS MAX AT SEA LEVEL
 350 VRMS MAX AT 50,000 FEET
 INSULATION RESISTANCE: 5000 MEGOHMS MIN
 CONTACT RESISTANCE: 5 MILLIOHMS MAXIMUM
 CAPACITANCE: 1 PF NOMINAL
 MECHANICAL:
 INSERTION/WITHDRAWAL FORCE: 0.5 - 5.0 POUNDS
 CONTACT RETENTION IN INSULATOR FORCE: NOT APPLICABLE
 CONTACT RETENTION IN INSULATOR TORQUE: NOT APPLICABLE
 INSULATOR RETENTION IN .062 PANEL FORCE: NOT APPLICABLE
 INSULATOR RETENTION IN SLEEVE FORCE: NOT APPLICABLE
 INSULATOR RETENTION IN PANEL TORQUE: NOT APPLICABLE
 PLASTIC MOUNTING THREAD STRIPPING TORQUE: NOT APPLICABLE
 RESISTANCE TO TEST PROBE DAMAGE TORQUE: 2 IN LB MIN
 MATING TIP PLUG DIAMETER: .080
 DURABILITY: 500 CYCLES MINIMUM
 ENVIRONMENTAL:
 (MEETS OR EXCEEDS THE APPLICABLE PARAGRAPH OF MIL-PRF-39024)
 OPERATING TEMPERATURE: -55 DEG C TO 75 DEG C
 TEMPERATURE RISE AT RATED CURRENT: 10 DEG C MAXIMUM
 CORROSION: MIL-STD-1344, METHOD 1001, CONDITION B
 SHOCK: MIL-STD-1344, METHOD 2004, CONDITION G
 VIBRATION: MIL-STD-1344, METHOD 2005, CONDITION I
 HUMIDITY: MIL-STD-1344, METHOD 1002, CONDITION B

DRAWING NO.
B - 105-0751/0770-001

| REVISIONS | |
|-----------|--|
| 0 | |

REVISED AND REDRAWN. DRAWING WAS "C" SIZE 105-0751/0770-001/501 DATED 3-29-88. SPLIT INTO 8 SEPERATE DWGS. CREATED SHEET 2.

 * REVISION NUMBER FOLLOWED BY AN ALPHA *
 * CHARACTER INDICATES DRAWING CLARIFI- *
 * CATION OR PART NUMBER ADDITION ONLY. *

| | | | | | |
|-----|---------|----|-----|--|-----------|
| 13c | 2-10-03 | RH | RJB | | ECN 48700 |
|-----|---------|----|-----|--|-----------|

CUSTOMER DRAWING

THIS DRAWING TO BE INTERPRETED PER ASME Y 14.5M - 1994

"μSTATION"

COMPANY CONFIDENTIAL

| | | | |
|--------------------------------------|----|--------------|----------|
| TOLERANCE UNLESS OTHERWISE SPECIFIED | | DRAWN BY | DATE |
| DECIMALS | mm | RJB | 12-19-02 |
| .XX | | CHECKED BY | DATE |
| .XXX | | | |
| MATL | | APPROVED BY | DATE |
| | | RJB | 2-12-03 |
| FINISH | | RELEASE DATE | 2-12-03 |
| | | U/M | INCH |
| | | SCALE | 4:1 |

Cinch
CONNECTIVITY SOLUTIONS
a bel group

Cinch Connectivity Solutions
P.O. Box 1732
Waseca, MN 56093
1-800-247-8256

TITLE
TIP JACK, STANDARD HORIZONTAL PC MOUNT FOR .080 DIA PLUG

| | |
|--------|-----------------------|
| SHEET | DRAWING NO. |
| 2 OF 2 | B - 105-0751/0770-001 |