

4

3

2

1


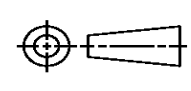
THIS DRAWING IS UNPUBLISHED. RELEASED FOR PUBLICATION
 © COPYRIGHT ALL RIGHTS RESERVED.

LOC	DIST	REVISIONS			
P	LTR	DESCRIPTION	DATE	DWN	APVD
	B1	ECR-13-018177	29NOV13	RS	LZ

REPLACED BY OCEAN STYLE APPLICATOR PART NUMBER 2151166-6

FOR REPLACEMENT PARTS FOR APPLICATOR 1911018
 REFER TO ADDITIONAL PAGE(S). SPARE PARTS KIT (IF LISTED)
 WILL REMAIN AVAILABLE.

THE REPLACEMENT OCEAN STYLE APPLICATOR HAS THE
 SAME TERMINATOR/PRESS INTERFACE AS APPLICATOR
 1911018

THIS DRAWING IS A CONTROLLED DOCUMENT.		DWN R.SHEN	 TE Connectivity		
DIMENSIONS:		CHK LJ.ZHANG			
		APVD U.GUO	NAME SIDE FEED SYSTEM III APPLICATOR		
TOLERANCES UNLESS OTHERWISE SPECIFIED:		PRODUCT SPEC	APPLICATION SPEC		
0 PLC ± 1 PLC ± 2 PLC ± 3 PLC ± 4 PLC ± ANGLES ±		WEIGHT	SIZE A3	CAGE CODE	DRAWING NO C-1911018
MATERIAL		CUSTOMER ACCESSIBLE PRODUCTION DRAWING		SCALE	SHEET 1 OF 2 REV B1

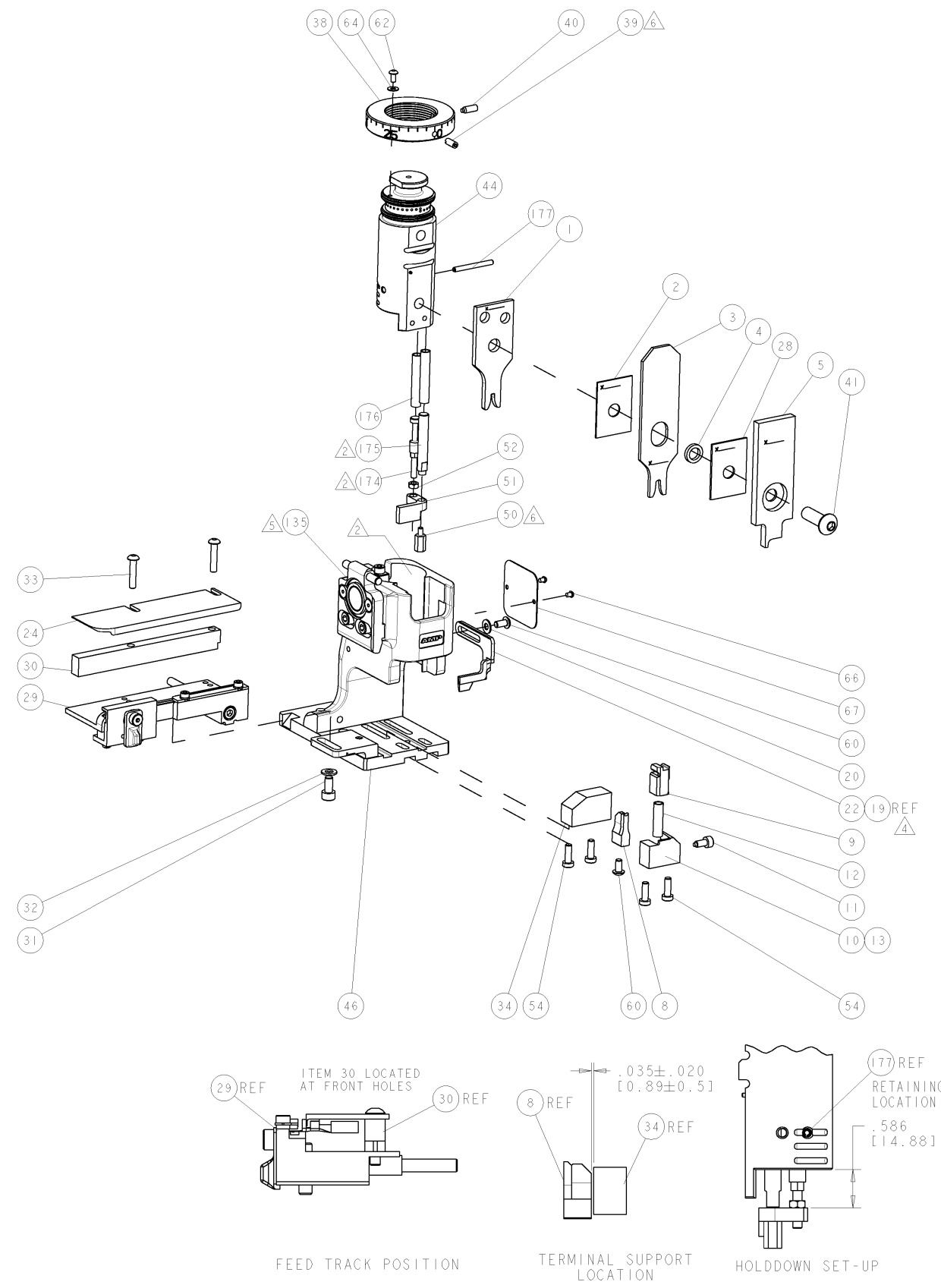
PART NUMBER	REV	DESCRIPTION	PROGRAMMED MEMORY CHIP
1911018-1	B	CUTS CARRIER	8-1911018-1
1911018-6	B	CONTINUOUS CARRIER	8-1911018-6
7-1911018-1	B	-1 AND SPARE PARTS	9-1911018-1
7-1911018-6	B	-6 AND SPARE PARTS	9-1911018-6
7-1911018-7	B	SPARE PARTS KIT	-

APPLICATOR DATA		
CRIMP	SIZE	TYPE
WIRE	.100 [2.54mm]	F
INSUL	.140 [3.56mm]	OV

TERMINAL DATA: TE TERMINAL TYCO ELECTRONICS CRIMP SPEC			
TERMINAL NAME: AMP MCP2.8 FLAT TYPE RECEPTACLE			
WIRE STRIP LENGTH	INSULATION DIAMETER RANGE		
.177-.201 [4.5-5.1 mm]	.087-.118 [2.21-2.99mm]		
TERMINAL APPL SPEC	114-18148-1 (A) 114-18668 (B)	114-18144-0 (C)	-
TERMINALS APPLIED			
1-968851-1 (A)	1-968851-2 (A)	1-968851-3 (A)	967703-1 (C)
1241582-1 (B)	1718188-1 (B)	-	-

WIRE SIZE	CRIMP HEIGHT
2.5mm ²	.074±.002 [1.88±.05]
1) 0.75 & (1) 1.0mm ²	.065±.002 [1.65±.05]
1.5mm ²	.062±.002 [1.57±.05]
(2) 0.75mm ²	.062±.002 [1.57±.05]

- ① RECOMMENDED SPARE PARTS.
- ② GREASE BEARING SURFACES LIGHTLY.
- 3. LUBRICATE DAILY PER THE APPLICATOR INSTRUCTION SHEET SUPPLIED WITH THE APPLICATOR.
- ④ ITEM 19 - OPTIONAL STRIPPER FOR BENCH MACHINE APPLICATIONS.
- ⑤ APPLICATOR SPECIFIC DATA TO BE ENTERED INTO BLANK MEMORY CHIP AT ASSEMBLY.
- ⑥ APPLY P/N 1-23419-5 LOCTITE(R) TO THREADS.



FEED FINGER	SET UP GAGE	LOC	DIST
1901694-1	1901040-1	A	66

REVISIONS			
REV	DATE	BY	APPD
A	15MAY2007	DWW	ND
B	15MAY2007	DWW	ND

REV	DATE	BY	APPD	PART NO	DESCRIPTION	ITEM NO		
-	1	1	1	1-993111-6	PIN, SLOTTED SPRING 3.0 X 30.0	177		
-	2	2	2	3-22280-7	SPRING, COMPRESSION	176		
-	1	1	1	1752353-1	GUIDE PIN, HOLDDOWN	175		
-	1	1	1	1901680-1	GUIDE PIN, HOLDDOWN	174		
-	REF	REF	REF	SEE TABLE	MEMORY CHIP, PROGRAMMED	135		
-	1	1	1	1633565-1	DOCUMENTATION PACKAGE	71		
-	1	1	1	1901048-1	TAG, IDENTIFICATION	67		
-	2	2	2	21017-1	SCREW, DRIVE	66		
-	1	1	1	18028-1	WASHER, FLAT, REG M3	64		
-	1	1	1	1655785-9	SCR, BTN SKT HD CAP (M3 X 6)	62		
-	2	2	2	1655785-1	SCR, BTN SKT HD CAP (M4 X 8)	60		
-	4	4	4	1655783-3	SCR, CAP, SOC HD, LOW HEAD, M4 X 12	54		
-	1	1	1	1-18030-0	NUT, HEX, REG M3.5	52		
-	1	1	1	1901681-1	HOLDDOWN, TERMINAL	51		
-	1	1	1	2-1752354-6	STANDOFF, HOLD-DOWN	50		
-	1	1	1	1752300-1	SF SYSTEM III APPLICATOR	46		
-	1	1	1	1752308-1	RAM	44		
-	1	1	1	2-1655785-3	SCR, BTN SKT HD CAP (M8 X 25)	41		
-	1	1	1	993002-4	SCREW, SET, SFT TIP	40		
-	1	1	1	1962043-1	PLUNGER, BALL, METRIC	39		
-	1	1	1	1752309-3	RING, INSULATION CRIMP	38		
-	1	1	1	1752356-4	SUPPORT, TERMINAL	34		
-	2	2	2	3-1655785-3	SCR, BTN SKT HD CAP (M4 X 20)	33		
-	1	1	1	18028-3	WASHER, FLAT, REG M5	32		
-	1	1	1	5-1655316-3	SCR, SKT HD CAP, M5 X 10.0	31		
-	1	1	1	1320908-1	SPACER, STRIP GUIDE	30		
-	1	1	1	1901087-4	ASSEMBLY, STRIP GUIDE	29		
-	1	1	1	1-455888-0	SPACER, CRIMPER	28		
-	1	1	1	1320928-1	PLATE, STRIP GUIDE	24		
-	1	1	1	1976045-1	STRIPPER	22		
-	1	1	1	18028-2	WASHER, FLAT, REG M4	20		
-	REF	REF	REF	1752311-1	STRIPPER	19		
①	-	-	-	1338684-6	SHEAR HOLDER, FRONT	13		
-	1	1	1	3-22280-3	SPRING, COMPRESSION	12		
-	1	1	1	356885-4	STOP, SHEAR	11		
③	-	-	-	1-1320921-3	SHEAR HOLDER, FRONT, CUT	10		
-	1	1	1	1-454276-9	FLOATING SHEAR, FRONT	9		
④	1	2	1	1333206-8	ANVIL, COMBINATION	8		
-	1	1	1	1-455889-8	DEPRESSOR, SHEAR	5		
-	1	1	1	1-238011-0	BLOCK, CRIMPER SPACER	4		
⑤	1	2	1	1-854830-2	CRIMPER, INSULATION SPECIAL	3		
-	1	1	1	455888-7	SPACER, CRIMPER	2		
⑥	1	2	1	9-657555-8	CRIMPER, WIRE PREMIUM	1		
-	-77	-76	-71	-6	-1	PART NO	DESCRIPTION	ITEM NO

DIMENSIONS: INCHES (mm)		TOLERANCES UNLESS OTHERWISE SPECIFIED:		DRAWN: D. WRIGHT 23APR2007		CHECKED: N. DEMING 23APR2007		APPROVED: N. DEMING 23APR2007		NAME: Tyco Electronics Harrisburg, PA 17105-3688	
Ø	PLC	±		APPLICATION SPEC	SEE TABLE	SIZE	A1	CASE CODE	00779	DRAWING NO	1911018
Ø	PLC	±		FINISH		RESTRICTED TO		SCALE	3:5	SHEET	1 OF 1
Ø	PLC	±		MATERIAL		CUSTOMER DRAWING		REV	B		