

SUMMARY

Wires

Low	22
High	0
Coax	1
Triax	0
Quad	0
Fiber	0
Fluidic	0

Series	3B
Termination type	Mixed coaxial/ Multi coax
IP rating	50
Cable Ø	10.80 - 11.90 mm
Matching parts	EGG.3B.822.CLL2
Status	
Alternative part	



Image is for illustrative purpose only

Download

[Request a quote](#)

[Catalog](#)

TECHNICAL DETAILS

Mechanics

Shell Style/Model	FG*: Straight plug, cable collet
Keying	1 key (alpha=0, plug: male contacts, receptacle: female contacts)
Housing Material	Brass (chrome plated) shell and collet nut, nickel plated brass latch sleeve and mid pieces
Cable Fixing	D12: 10.8 - 11.9 mm
Variant	

Performance

Configuration	3B.822 : 1 Coax (50 Ohm), 22 Low V.
Insulator	L: PEEK (UL 94 / V-0/3.2, depends on material thickness)
Rated Current	5 Amps

Specifications

Contact Type:	Coaxial 50 Ohm (Crimp) Type C
Max. Matings:	5000
Contact Dia.:	0.7 mm (0.03in)
R (max):	5.8 mOhm
Test voltage (kV rms):	0.7
Test voltage (kV dc):	1

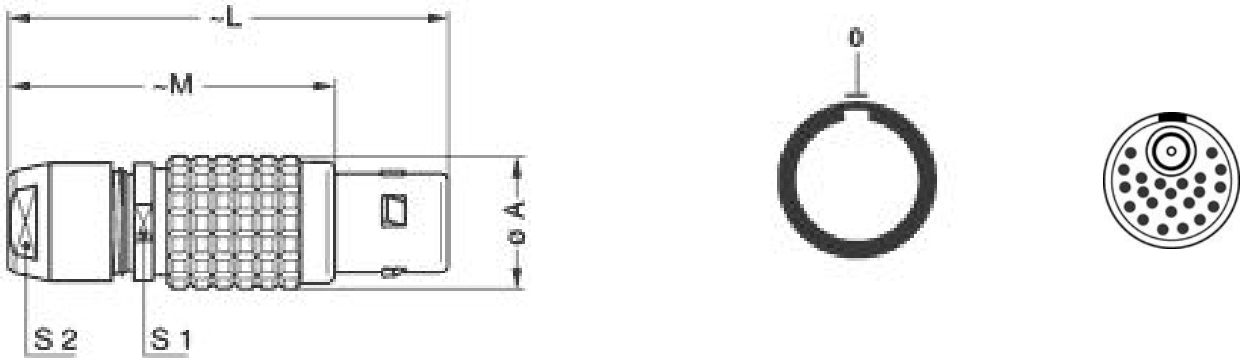
Cable type: RG 179 B/U, RG 187 A/U

Others

Temp (min / max): -55°C / +250°C
Humidity (max): ≤95% [at 60 deg C / 140 F]
Vibration: 15 g [10 Hz - 2000 Hz]
Shock Resistance: 100 g [6 ms]
Salt Spray Corrosion: >1000 hr
Climatical Category: 50/175/21
Shielding (min): 75 dB (10 MHz)
Shielding (min): 40 dB (1 GHz)
IP Rating: 50

DRAWINGS

Draws



Dimensions

	A	L	M	S1	S2
mm.	18	58	43	15	14
in.	0,71	2,28	1,69	0,59	0,55

RECOMMENDED BY LEMO

Tools

Extractor: DCC.91.384.5LA
Coax Tool: -
Die Tool: DPE.99.103.8K
Spanner wrench: DCD.3B.040.PA140
Caps: BFG.3B.100.PCSG

