



Important notes about Classic Panel Mount Indicator Catalog Pages

SCROLL DOWN TO VIEW CATALOG PAGE

This catalog page is out-of-print and is used with the understanding that the information shown could be out-of-date. In many cases, part numbers shown on this page are discontinued. Most notably, many “Complete Assembly” parts, which consist of a cap and a base, can no longer be ordered by the 14-digit ordering code. To obtain these parts, please order the cap and base part numbers separately. This process provides the components contained with the original “Complete Assembly” part number.

All Dialight Classic Panel Mount Indicators need a leading 3-digit numerical series. In some cases, this catalog will show a 2-digit series. In this case, please add a leading zero. For example, 81-0211-300 becomes 081-0211-300.

Part numbers listed on Dialight catalog pages designate parts with Red lenses. For ordering lens colors other than red, consult the chart below. In most cases, the color is dictated by the 7th digit. For example, 095-0932-003 for a green cap.

Lens Colors	
1 - Red	5 - White
2 - Green	6 - Light Yellow
3 - Yellow	7 - Clear
4 - Blue	

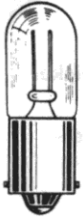
[Click here for a cross reference guide to assembly part numbers.](#)

[Click here to view Frequently Asked Questions concerning Panel Mount Indicators.](#)

SCROLL DOWN TO VIEW CATALOG PAGE

Large Neon Indicators WITH BUILT-IN RESISTOR

FOR MOUNTING IN 1" CLEARANCE HOLE

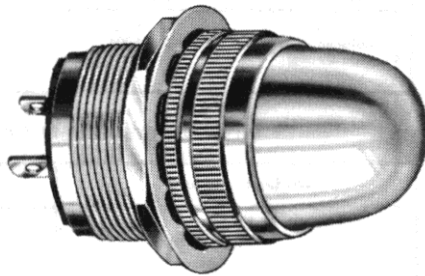


T-3 1/4
B1A (NE-51)
B2A (NE-51H)
MINIATURE BAYONET BASE

See lamp ratings
on page L.

Recognized under the component
program of Underwriters'
Laboratories Inc.

75W., 125V.
75W., 250V.



80-0463-0931-311
Stovepipe lens

Note: These assemblies are also available with 31 (friction-fit) and 51 (screw-on) Series Lens Caps. Please contact the factory for data and ordering information.

80 SERIES

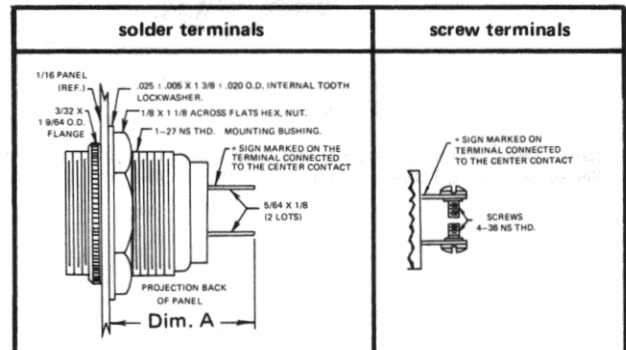
MATERIALS AND FINISHES

- **Mounting Bushing:** Standard—brass, white nickel finish. Optional—black nickel finish.
- **Lens Holder and Knurled Flange Ring:** Standard—brass, polished chrome finish. Optional—black nickel or satin chrome finish.
- **Mounting Nut:** Brass, white nickel finish.
- **Internal-tooth Lockwasher:** Phosphor bronze, white nickel finish.
- **Terminals:** Solder—brass, hot tinned with elongated slot. Screw—brass, white nickel finish.

How to designate the three digit part number suffix (-XXX)

Finish	Resistor	Hardware
2 - black nickel	1 - 22K	1 - brass
3 - polished chrome	3 - 33K	3 - water-tight on the face of the panel
4 - satin chrome	4 - 56K	
	7 - 100K	

WITH SCREW-ON LENS CAPS



Dim. A
1 3/32 Max.

BASE PART NUMBERS

105-125VAC-DC*
110-125VAC†

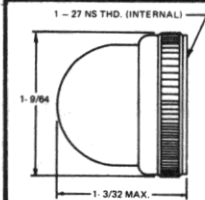
80-0408-09-341
80-0463-09-311

80-1308-09-341
80-1363-09-311

CAP PART NUMBERS

VOLTAGES

COMPLETE ASSEMBLY PART NUMBERS



STOVEPIPE
80-0931-300 transparent

105-125V AC-DC
110-125 VAC

80-0408-0931-341
80-0463-0931-311

80-1308-0931-341
80-1363-0931-311

Dim. A
1 13/32 Max.

BASE PART NUMBERS

105-125VAC-DC*
110-125VAC†

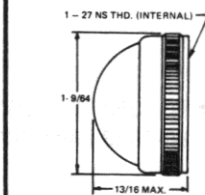
80-0408-05-341
80-0463-05-311

80-1308-05-341
80-1363-05-311

CAP PART NUMBERS

VOLTAGES

COMPLETE ASSEMBLY PART NUMBERS



DOMES
■ 80-1231-300 transparent

105-125V AC-DC
110-125 VAC

■ 80-0408-1231-341
■ 80-0463-1231-311

■ 80-1308-1231-341
■ 80-1363-1231-311

80-0841-300 matted back

105-125V AC-DC
110-125 VAC

80-0408-0841-341
80-0463-0841-311

80-1308-0841-341
80-1363-0841-311

■ To specify white translucent color, change the group of digits of the part number that reads -1231 - to -0835 -. Example: 80-0408-0835-341.

Part numbers in this catalog designate products with RED lens. For ordering lens colors other than red, consult chart on page 2D.

* Standard brightness
† High brightness

Part numbers shown in gray are normally in inventory at your Dialight Distributor.