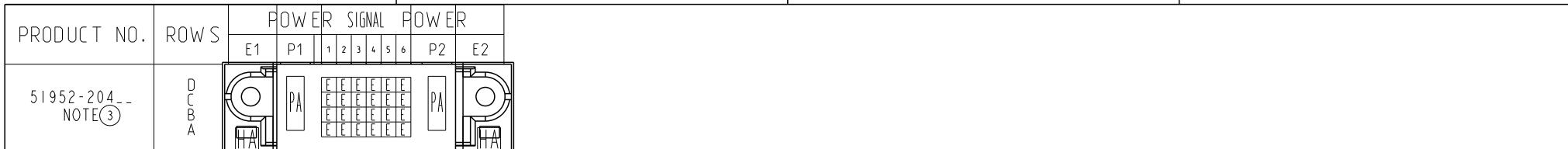


1

2

3

4



A

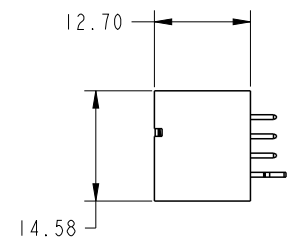
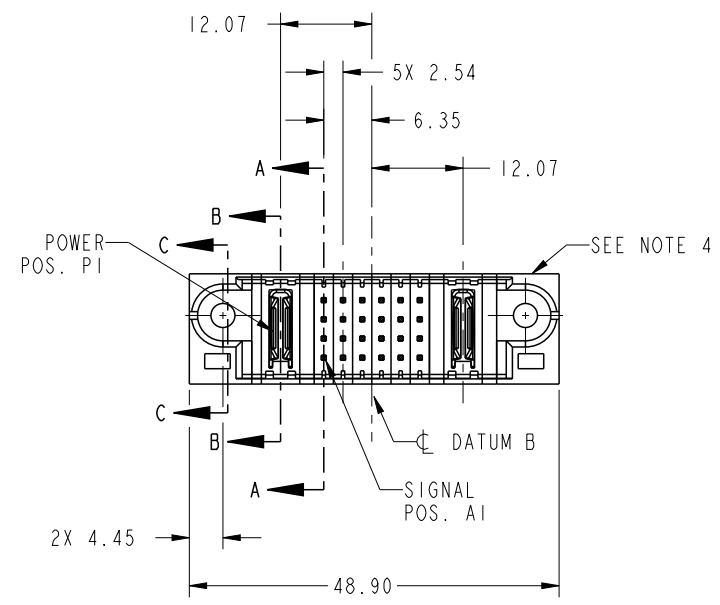
A

B

B

C

C



CODE	DIM "M" MATING LENGTH	CONTACT TYPE
PA	[N/A]	POWER
E	[6.86]	SIGNAL
HA	[N/A]	HOLD-DOWN



Copyright FCI.

spec ref	See Notes			dr	Guang, Shi	2012/01/13	projection 	MM 	size	A4	scale	1:1	
tolerance std	TOLERANCES UNLESS OTHERWISE SPECIFIED			eng	Luo Weller	2012/07/17			ecn no	-			
See Notes				chr	-	-			rel level	Released			
surface <input checked="" type="checkbox"/>	linear	0.X	±0.50	FCI	www.fci.com	IP + 24S + IP	cat. no.	Product - Customer Drw	dwg no	51952-204	rev	A	
		0.XX	±0.25										
		0.XXX	±0.10										
	angular	0°	±2°										sheet 1 of 4

PrdE File - REV C - 2009-06-09

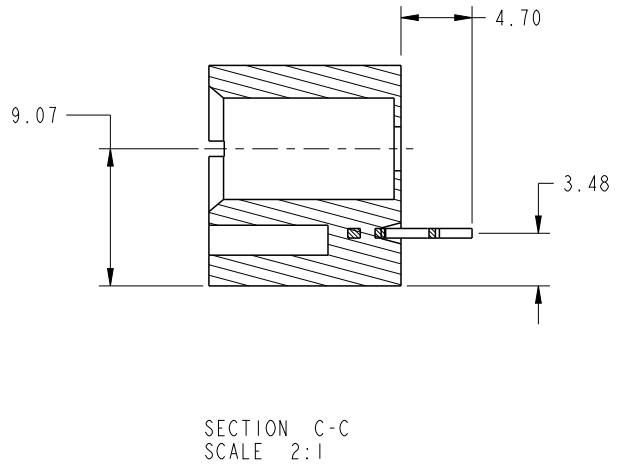
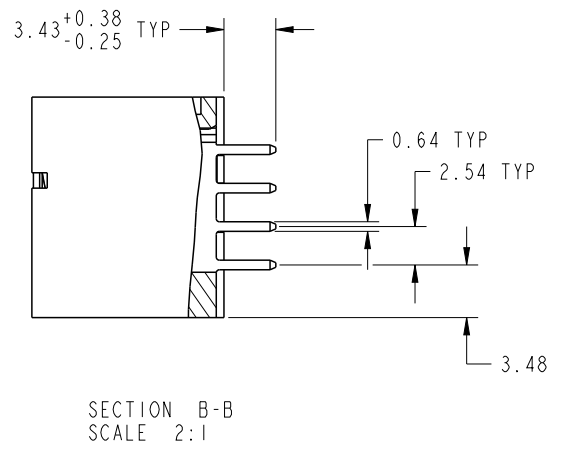
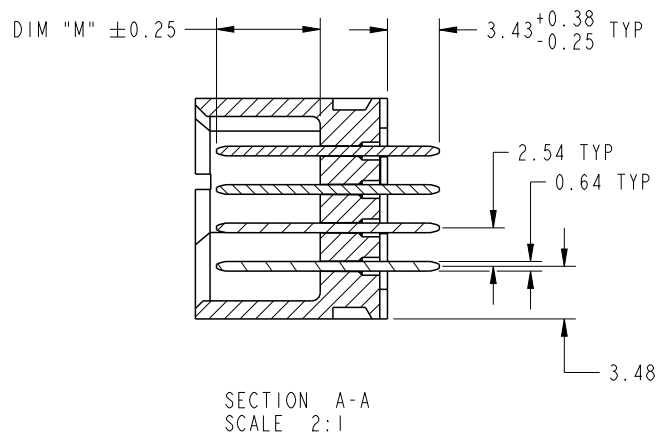
1

2

3

4

PRODUCT NUMBER  
51952-204\_\_  
NOTE 3



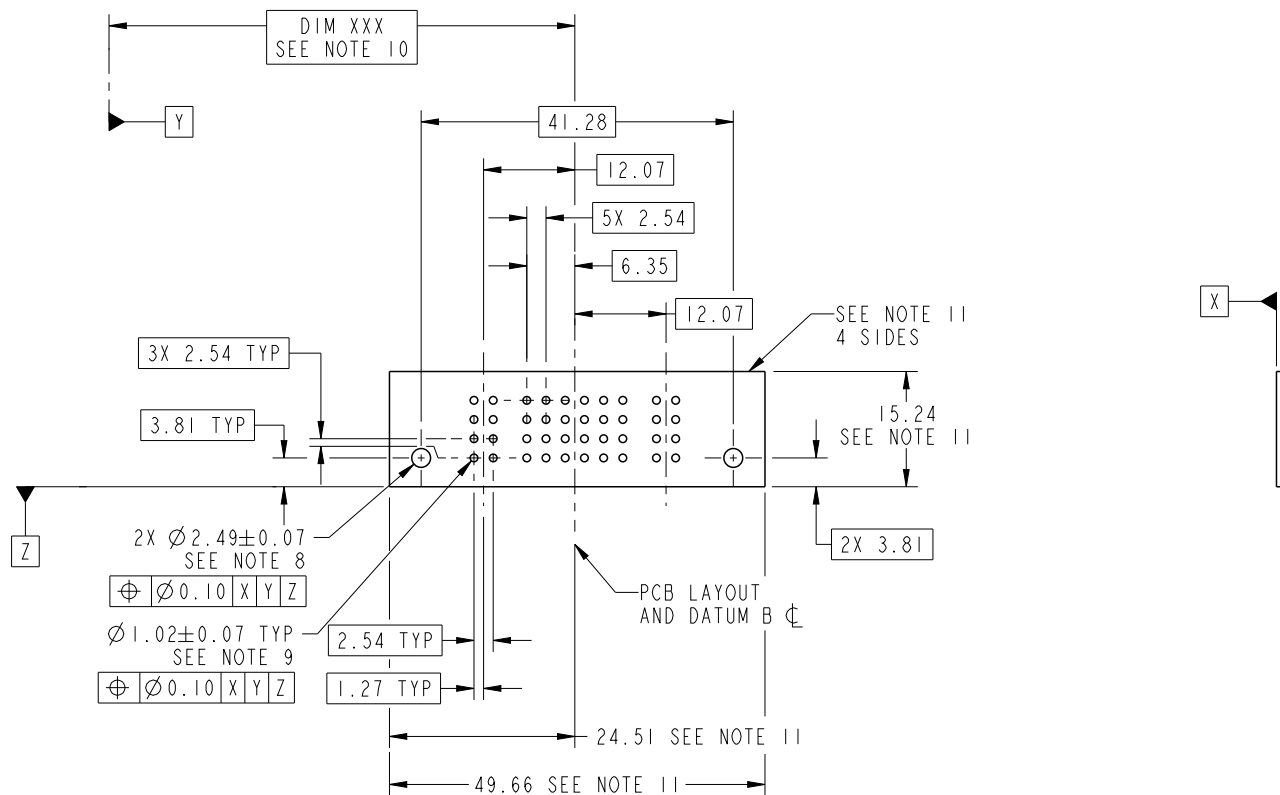
dr	Guang, Shi	2012/01/13	projection 	MM ←————→	size	A4	scale	1:1			
eng	Luo Weller	2012/07/17			ecn no	-					
chr	-	-			rel level	Released					
appr	Pei-Ming Zheng	2012/08/10	product family	PwrBlade							
		title			IP + 24S + IP		dwg no		51952-204	rev	A
www.fci.com		cat. no.		Product - Customer Drw				sheet 2 of 4			



Copyright FCI.

PRODUCT NUMBER

51952-204\_\_  
NOTE 3



RECOMMENDED PCB LAYOUT

dr	Guang, Shi	2012/01/13	projection 	MM 	size	A4	scale	1:1
eng	Luo Weller	2012/07/17			ecn no	-		
chr	-	-			rel level	Released		
appr	Pei-Ming Zheng	2012/08/10	product family	PwrBlade	rev	A		
	title			IP + 24S + IP		dwg no	51952-204	
www.fci.com	cat. no.			Product - Customer Drw			sheet 3 of 4	
			VERTICAL STB HEADER					



PRODUCT NUMBER

51952-204\_\_  
NOTE 3

NOTES:

1. DIMENSIONS AND TOLERANCES ARE IN ACCORDANCE WITH ASME Y14.5M, 1994 UNLESS OTHERWISE SPECIFIED.

CONNECTOR NOTES:

- ② HOUSING MATERIAL: UL 94 V-0 GLASS FILLED HIGH-TEMP THERMOPLASTIC  
POWER CONTACT MATERIAL: COPPER ALLOY  
SIGNAL PIN MATERIAL: COPPER ALLOY
- 3. SEE ITEM 1 & 2 IN PRINT 10064183 FOR PLATING SPEC OF 51952-204 AND 51952-204LF RESPECTIVELY.

④ MANUFACTURER'S NAME, DATE CODE AND OPTIONAL P/N TO APPEAR ON THIS SURFACE. THE P/N CAN BE OMITTED IF THERE IS NOT ENOUGH SPACE ON THIS SURFACE.

5. PRODUCT SPECIFICATION GS-12-149.  
APPLICATION SPECIFICATION BUS-20-067.

6. PACKAGED IN TRAYS.

PCB NOTES:

- 7. ALL HOLE DIAMETERS ARE FINISHED HOLE SIZE.
- 8. MOUNTING HOLES, WHERE APPLICABLE, ARE UNPLATED.

⑨  $\varnothing 1.151 \pm 0.025$  DRILLED HOLES PLATED WITH 0.008 MIN SnPb OR Sn OVER .001 [0.03] TO 0.08 Cu PLATING TO ACHIEVE  $\varnothing 1.02 \pm 0.07$  HOLE.

⑩ "DIM XXX" TO BE DETERMINED BY THE CUSTOMER.

⑪ CONNECTOR KEEP-OUT ZONE.

dr	Guang, Shi	2012/01/13	projection 	MM 	size	A4	scale	1:1		
eng	Luo Weller	2012/07/17			ecn no	-				
chr	-	-			product family	PwrBlade	rel level	Released		
appr	Pei-Ming Zheng	2012/08/10			title	IP + 24S + IP VERTICAL STB HEADER	dwg no	51952-204	rev	A
www.fci.com		cat. no.	Product - Customer Drw			sheet 4 of 4				



Copyright FCI.