

1

2

3

4

A

B

C

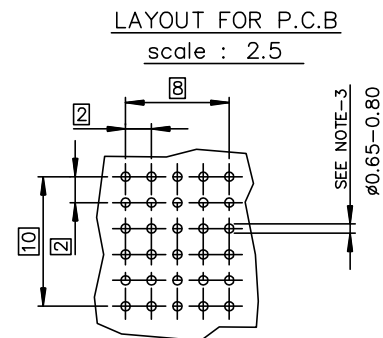
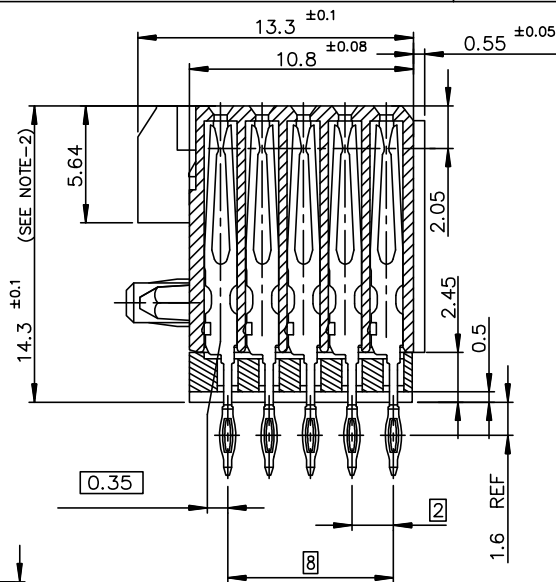
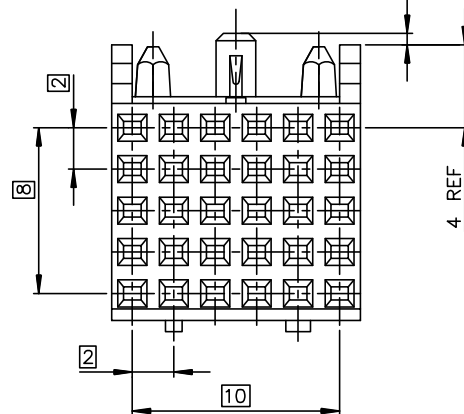
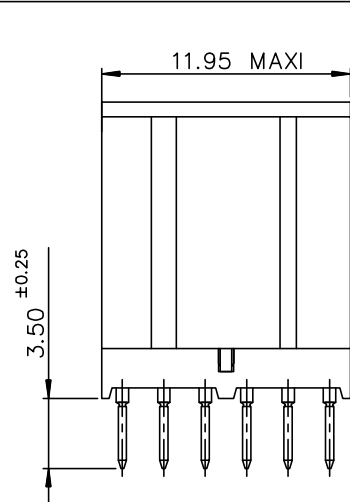
D

A

B

C

D



GENERAL CHARACTERISTICS AND ROHS INFORMATIONS:
SEE GS-12-447

- NOTE-1: COMPATIBLE WITH NARROW AND WIDE BODY
- NOTE-2: PCB FINISH HOLE DIAMETER GS-12-447
- NOTE-3: STANDARD PACKAGING IS IN TUBE ,BUT IF SUFFIX "P" IS ADDED IN P/N ,PACKAGING IS IN TRAYS ,BUT CONNECTOR MARKING IS WITHOUT "P"
Example: HM1FxxxxxxxH6PLF, marking: HM1FxxxxxxxH6LF

- SPECIFIC DATAS:
- Visual inspection : 100%
- Marking failures
 - Housing material failures
 - Spoilt housing
 - Stained housing
 - Broken contacts (twisted or loosen)

△ PART NUMBER
HM1S51FER400H*(LF)

LF = FOR LEAD FREE PRODUCT
PLATING CODE:
6 = TELCORDIA CO
E = CUSTOMER SPECIAL, CONTACT
30u" GOLD SELECTIVE PLATING.

rev	ecn no	dr	date
A	-	-	2001/01/26
B	LS05-004	MLE	2005/02/22
C	LS06-0095	LGO	2006/07/05
D	LS06-0159	MLE	2006/10/24
E	LS07-0266	MLE	2007/11/09
F	DG09-0367	TER	2009-11-25
-	-	-	-

www.fciconnect.com		surface ISO 1302 ✓	tolerance std ISO 406 ISO 1101	projection	mm
		TOLERANCES UNLESS OTHERWISE SPECIFIED			
Dr	PERRICHOT	2001/01/26	ANGULAR	0.X	±0.1
Eng	LENOIR	2001/01/26	LINEAR	0.XX	±0.1
Chr	LEGARE	2001/01/26	0.XX ±2	0.XXX	±0.1
Appr	LEGARE	2001/01/26	Product family		size A3
				METRAL	Scale 4
				Spec ref -	ECN DG09-0367
title METRAL FEM. 5 ROW STRAIGHT PRESS FIT		dwg no C-8626-11113		Rev. F	
PCB THICKNESS: 2.4 mm MINIMUM		CUSTOMER		sheet 1 of 1	
catalog no -					

European Views

1

2

3

4



Copyright FCI.