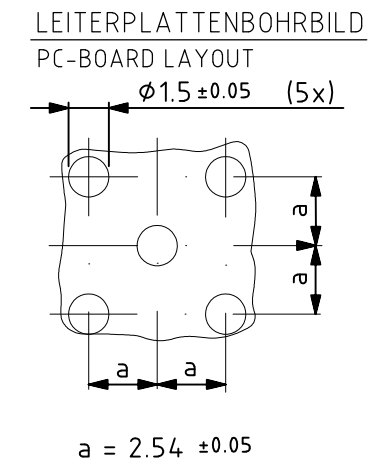
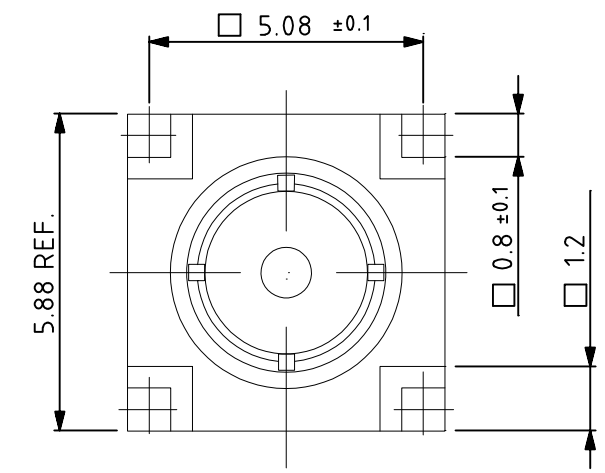
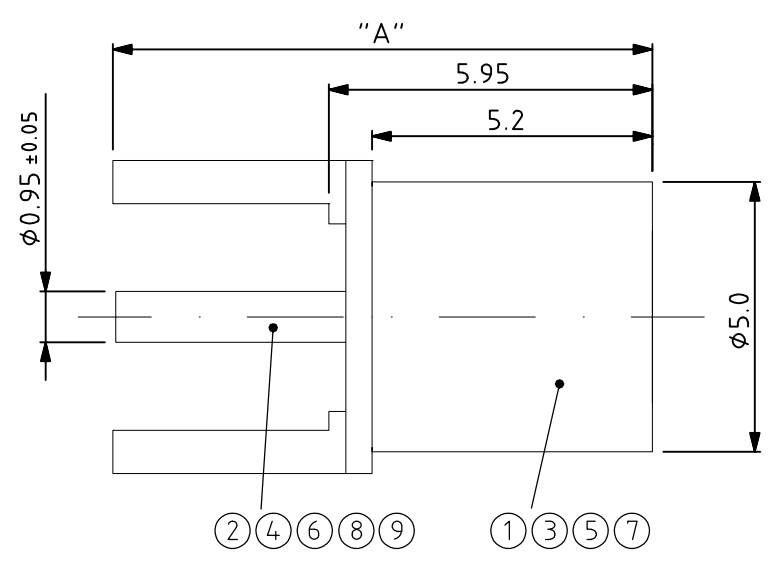


THIS DRAWING IS UNPUBLISHED. RELEASED FOR PUBLICATION  
 © COPYRIGHT 2005 BY TYCO ELECTRONICS CORPORATION. ALL RIGHTS RESERVED.

LOC	DIST	REVISIONS					
EK	00	P	LTR	DESCRIPTION	DATE	DWN	APVD
			L1	REVISED PER ECO-09-18178	06AUG2009	KF	KW



- 1 KOAX STECKVERBINDER NACH CECC 22220  
COAX CONNECTOR COMPLIES WITH SPEC. CECC 22220
- 2 1 KOAX - KUPPLER IM PLASTIKBEUTEL VERPACKT  
1 COAX JACK PACKED IN PLASTIC BAG

- 3 VERGOLDET 112-162-5; 1.3µm MIN DICKE ÜBER Ni 112-25-2; 2.0µm MIN - 4.0µm MAX DICKE  
GOLD PL. 112-162-5; 1.3µm MIN THK OVER Ni PL. 112-25-2; 2.0µm MIN - 4.0µm MAX THK
- 4 VERGOLDET 112-162-5; 0.8µm MIN DICKE ÜBER Ni 112-25-2; 2.0µm MIN - 4.0µm MAX DICKE  
GOLD PL. 112-162-5; 0.8µm MIN THK OVER Ni PL. 112-25-2; 2.0µm MIN - 4.0µm MAX THK

- 5 VERGOLDET 0.1-0.2µm DICKE ÜBER NOM. 4.0µm Ni P DICKE  
0.1-0.2µm Au OVER NOM. 4.0µm Ni P PLATING
- 6 100 KOAX - KUPPLER IM PLASTIKBEUTEL VERPACKT 5 PLASTICBEUTEL IN 1 KARTON  
100 COAX JACK PACKED IN PLASTIC BAG 5 PLASTIC BAGS IN 1 CARTON BOX

DIM "A"	BESTELL-NR. PART-NO.	BESTELL-NR. PART-NO.	POS. ITEM-NO.	STÜCK PIECES	BENENNUNG EINZEL TEIL DESCRIPTION	WERKSTOFF MATERIAL	OBERFLÄCHE PLATING FARBE/COLOUR
8.5	5-829558-5	829558-5	9	1	BUCHSENKONT./FEMALE CONTACT	Cu Be / BZ4	4
			3	1	KUPPLER/JACK	Cu Zn	5
8.5	5-829558-4	829558-4	8	1	BUCHSENKONT./FEMALE CONTACT	Cu Be / BZ4	3
			7	1	KUPPLER/JACK	Cu Zn	4
8.5	5-829558-3	829558-3	6	1	BUCHSENKONT./FEMALE CONTACT	Cu Be / BZ4	5
			5	1	KUPPLER/JACK	Cu Zn	5
10	5-829558-2	829558-2	4	1	BUCHSENKONT./FEMALE CONTACT	Cu Be / BZ4	5
			3	1	KUPPLER/JACK	Cu Zn	5
10	5-829558-1	829558-1	2	1	BUCHSENKONT./FEMALE CONTACT	Cu Be / BZ4	3
			1	1	KUPPLER/JACK	Cu Zn	4

THIS DRAWING IS A CONTROLLED DOCUMENT.

DWN	ZANDER	13FEB91	Tyco Electronics Corporation Harrisburg, PA 17105-3608
CHK			
APVD	FISHCER	13DEC90	COAXICON SERIES MCX, -JACK FOR PCB (PITCH 5.08 mm)
PRODUCT SPEC			
APPLICATION SPEC			SIZE: A3 CAGE CODE: 00779 DRAWING NO: C-829558 RESTRICTED TO:
WEIGHT			SCALE: 1:1 SHEET: 1 OF 1 REV: L1

CUSTOMER DRAWING