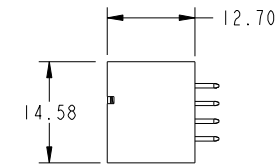
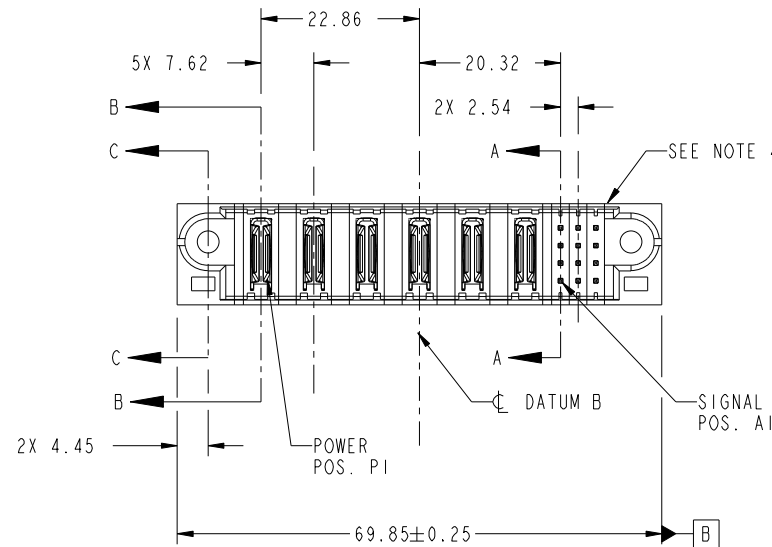


Tous droits strictement reserves. Reproduction ou communication a des tiers interdite sous quelque forme que ce soit sans autorisation écrite du propriétaire. Propriete de c FCI. Droits de reproduction FCI.



All rights strictly reserved. Reproduction or issue to third parties in any form whatever is not permitted without written authority from the proprietor. Property of FCI. Copyright FCI.

PRODUCT NO.	ROWS	POWER						SIGNAL			E2
		E1	P1	P2	P3	P4	P5	P6	1	2	
51952-175-- NOTE ③	D C B A		PA	PA	PA	PA	PA	PA			



CODE	DIM "M" MATING LENGTH	CONTACT TYPE
PA	[N/A]	POWER
E	[6.86]	SIGNAL

mat'l code				tolerances unless otherwise specified		CUSTOMER		www.fciconnect.com
ltr	ecn no.	dr	date	linear	0.X ±0.5	COPY		
A	DG10-0252	AL	07/07/10	angles	0.XX ±0.25	projection		
					0.XXX ±0.1			
				dr	Anson Liu 07/07/10			
				enrg	Jerome Chen 07/07/10	title 6ACP + 12S VERTICAL STB HEADER		
				chr	PM ZHENG 07/07/10	product family PwrBlade code 213		
				appd	JOSEPH HSIA 07/07/10	size dwg no 51952-175 sheet 1 of 4		
sheet index		revision sheet	A 1	A 2	A 3	A 4	scale 1:1	cage code 22526

Pro/E

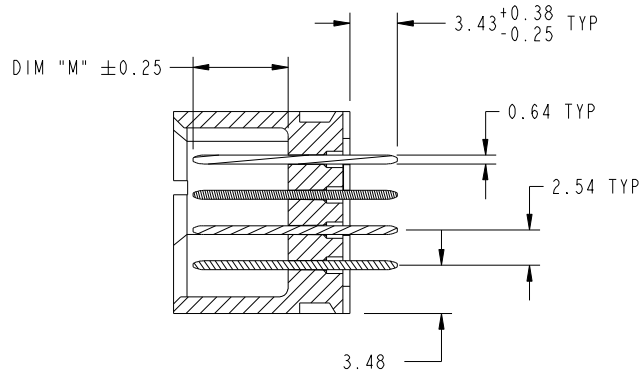
cage code 22526

Tous droits strictement reserves. Reproduction ou communication a des tiers interdite sous quelque forme que ce soit sans autorisation écrite du propriétaire. Propriete de c FCI. Droits de reproduction FCI.

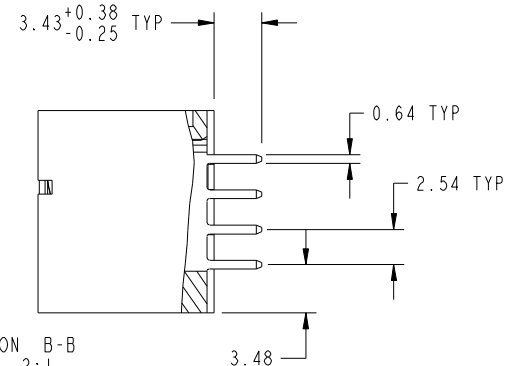
All rights strictly reserved. Reproduction or issue to third parties in any form whatever is not permitted without written authority from the proprietor. Property of FCI. Copyright FCI.



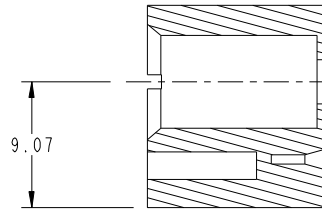
PRODUCT NUMBER
51952-175__
NOTE 3



SECTION A-A
SCALE 2:1



SECTION B-B
SCALE 2:1



SECTION C-C
SCALE 2:1

mat'l code				tolerances unless otherwise specified		CUSTOMER		FCI	
ltr	ecn no.	dr	date	linear	0.X ±0.5	COPY		www.fciconnect.com	
A					0.XX ±0.25	projection		title	
				angles	0.XXX ±0.1			6ACP + 12S VERTICAL STB HEADER	
				dr	0° ±2°			product family PwrBlade code	
				enr	Anson Liu 07/07/10	scale		size	
				chr	Jerome Chen 07/07/10	1:1		dwg no	
				appd	PM ZHENG 07/07/10			A 51952-175	
					JOSEPH HSIA 07/07/10			sheet	
sheet index		revision sheet						2 of 4	

cage code 22526

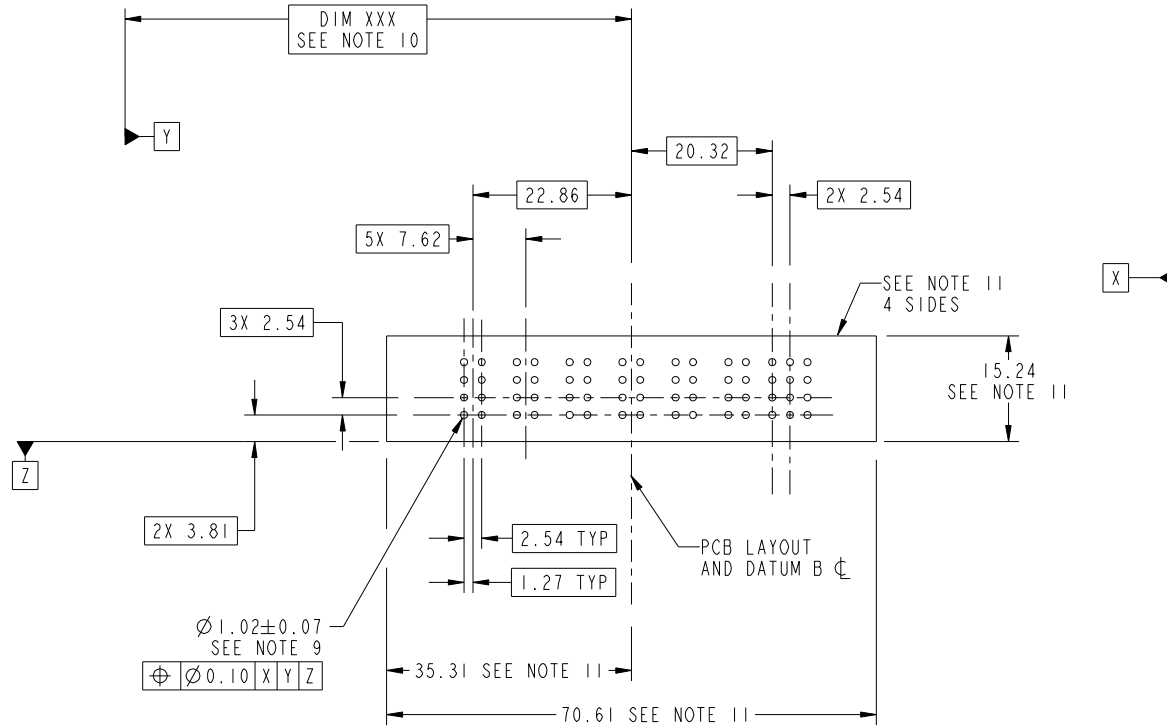
Pro/E

Tous droits strictement reserves. Reproduction ou communication a des tiers interdite sous quelque forme que ce soit sans autorisation écrite du propriétaire. Propriete de c FCI. Droits de reproduction FCI.

All rights strictly reserved. Reproduction or issue to third parties in any form whatever is not permitted without written authority from the proprietor. Property of FCI. Copyright FCI.



PRODUCT NUMBER
51952-175__
NOTE 3



RECOMMENDED PCB LAYOUT

mat'l code				tolerances unless otherwise specified		CUSTOMER		FCI	
ltr	ecn no.	dr	date	linear	0.X ± 0.5	COPY		www.fciconnect.com	
A					0.XX ± 0.25	projection		title	
				angles	0.XXX ± 0.1			6ACP + 12S VERTICAL STB HEADER	
				dr	Anson Liu 07/07/10	MIM		product family PwrBlade code	
				enr	Jerome Chen 07/07/10			size 213	
				chr	PM ZHENG 07/07/10	scale		dwg no 51952-175 sheet	
				appd	JOSEPH HSIA 07/07/10	1:1		3 of 4	
sheet index		revision sheet							

cage code 22526

Pro/E

Tous droits strictement reserves. Reproduction ou communication a des tiers interdite sous quelque forme que ce soit sans autorisation écrite du propriétaire. Propriete de c FCI. Droits de reproduction FCI.



All rights strictly reserved. Reproduction or issue to third parties in any form whatever is not permitted without written authority from the proprietor. Property of FCI. Copyright FCI.

PRODUCT NUMBER
51952-175--
NOTE 3

NOTES:

1. DIMENSIONS AND TOLERANCES ARE IN ACCORDANCE WITH ASME Y14.5M, 1994 UNLESS OTHERWISE SPECIFIED.

CONNECTOR NOTES:

- 2 HOUSING MATERIAL: UL 94 V-0 GLASS FILLED HIGH-TEMP THERMOPLASTIC
POWER CONTACT MATERIAL: COPPER ALLOY
SIGNAL PIN MATERIAL: COPPER ALLOY
- 3. SEE ITEM 1 & 2 IN PRINT 10064183 FOR PLATING SPEC OF 51952-175 AND 51952-175LF RESPECTIVELY.
- 4 MANUFACTURER'S NAME, DATE CODE AND OPTIONAL P/N TO APPEAR ON THIS SURFACE. THE P/N CAN BE OMITTED IF THERE IS NOT ENOUGH SPACE ON THIS SURFACE.
- 5. PRODUCT SPECIFICATION GS-12-149.
APPLICATION SPECIFICATION BUS-20-067.
- 6. PACKAGED IN TRAYS.

PCB NOTES:

- 7. ALL HOLE DIAMETERS ARE FINISHED HOLE SIZE.
- 8. MOUNTING HOLES, WHERE APPLICABLE, ARE UNPLATED.
- 9 $\varnothing 1.151 \pm 0.025$ DRILLED HOLES PLATED WITH 0.008 MIN SnPb OR Sn OVER .001 [0.03] TO 0.08 Cu PLATING TO ACHIEVE $\varnothing 1.02 \pm 0.07$ HOLE.
- 10 "DIM XXX" TO BE DETERMINED BY THE CUSTOMER.
- 11 CONNECTOR KEEP-OUT ZONE.

mat'l code				tolerances unless otherwise specified		CUSTOMER		FCI	
ltr	ecn no.	dr	date	linear	0.X ± 0.5	COPY		www.fciconnect.com	
A					0.XX ± 0.25	projection	title		
					0.XXX ± 0.1		6ACP + 12S VERTICAL STB HEADER		
				angles	0° ± 2°	MIM		product family PwrBlade code	
				dr	Anson Liu 07/07/10	← MIM →		size	
				enrg	Jerome Chen 07/07/10	scale		dwg no	
				chr	PM ZHENG 07/07/10	1:1		51952-175	
				appd	JOSEPH HSIA 07/07/10			sheet	
sheet index		revision sheet						4 of 4	

cage code 22526

Pro/E