

THIS DRAWING IS UNPUBLISHED.

RELEASED FOR PUBLICATION

ALL RIGHTS RESERVED.

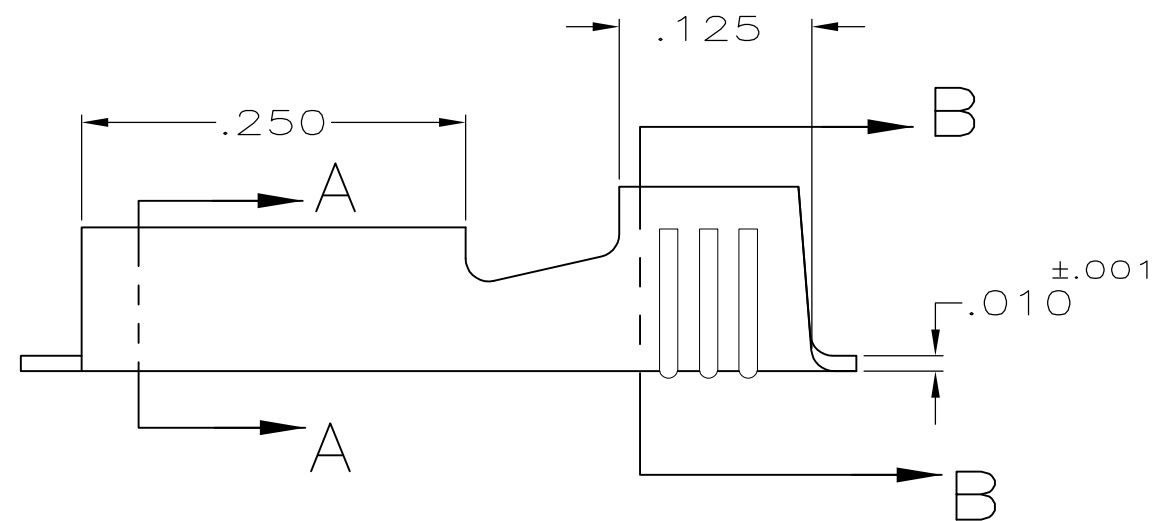
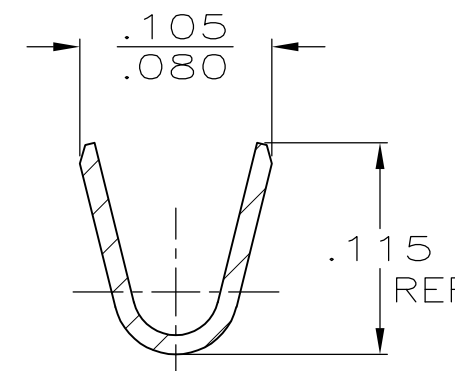
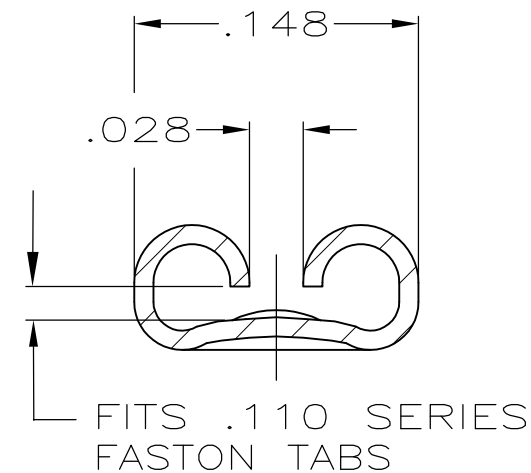
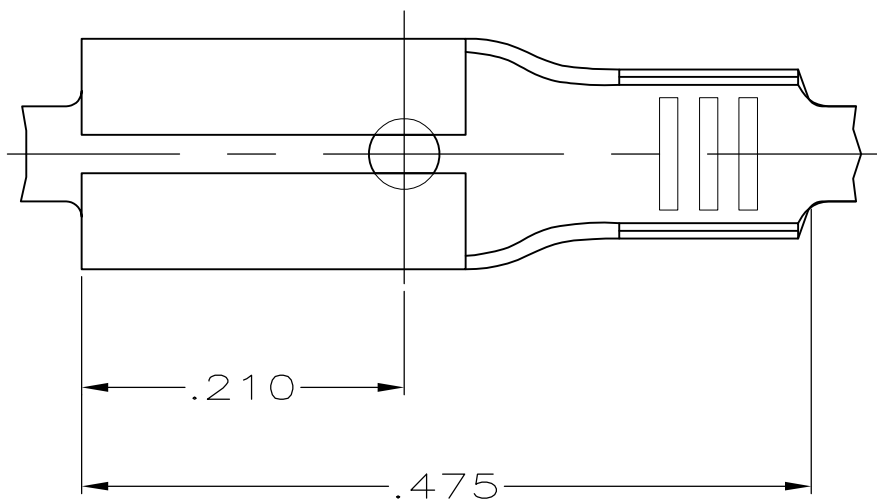
© COPYRIGHT - By -

LOC AF DIST 50

REVISIONS

P	LTR	DESCRIPTION	DATE	DWN	APVD
	E	REVISED PER ECR-12-013459	27NOV2012	KH	PD


- 1 CONTINUOUS STRIP ON REELS.
- 2 FEED TO BE $.535 \pm .005$
- 3 62345-2 IS REVERSE REELED.
- 4 OBSOLETE PARTS: OBSOLETE CIS TREAMLINING PER D.RENAUD/D.SINISI



SECTION A-A
SCALE 10:1

SECTION B-B
SCALE 10:1

4 OBSOLETE	#20-#18 or (2)#20's	.025	3 62345-2
	#20-#18 or (2)#20's	.025	62345-1
	WIRE SIZE	MATING TAB THK ±.001	PART NO.

THIS DRAWING IS A CONTROLLED DOCUMENT.		DWN JR RUTH 3/28/91	 TE Connectivity	
DIMENSIONS: INCHES		CHK MS FEHER 3/28/91		
TOLERANCES UNLESS OTHERWISE SPECIFIED:		APVD C MEYERS 3/28/91	NAME	
0 PLC ± - 1 PLC ± - 2 PLC ± - 3 PLC ± .015 4 PLC ± - ANGLES ± -		PRODUCT SPEC	RECEPTACLE, FASTON,™ .110 SERIES	
MATERIAL BRASS		FINISH PRE-TIN	APPLICATION SPEC	RESTRICTED TO
		WEIGHT -	SIZE A3	CAGE CODE 00779
		CUSTOMER DRAWING	DRAWING NO C-62345	RESTRICTED TO -
		SCALE 8:1	SHEET 1 OF 1	REV E