



MAX16050 Evaluation Kit

General Description

The MAX16050 evaluation kit (EV kit) is a complete, fully assembled and tested multivoltage sequencer circuit that demonstrates the capability of the 4-channel MAX16050 and 5-channel MAX16051 sequencing ICs. The MAX16050 EV kit monitors up to nine DC-DC converter outputs and ensures proper power-up and power-down conditions for systems requiring voltage sequencing.

The EV kit features $\overline{\text{RESET}}$ output signals to indicate an undervoltage condition, or when $\overline{\text{SHDN}}$ or $\overline{\text{FAULT}}$ signals are pulled low. Additionally, dedicated $\overline{\text{OV_OUT}}$ outputs indicate an overvoltage fault when any of the EV kit's inputs go above the overvoltage threshold. The EV kit is capable of evaluating the MAX16050 and MAX16051 individually. The EV kit can be configured for daisy chaining these two devices together, which enables the user to sequence and monitor up to nine voltages across both devices. The MAX16050 EV kit also provides PCB pads for low-current MOSFETs that are controlled using the MAX16050 and MAX16051 charge-pump outputs.

The MAX16050 EV kit utilizes two power supplies, one for each IC. Each power supply can range from 2.7V to 13.2V, allowing the user to operate directly from an intermediate bus voltage. The MAX16050 EV kit also requires an additional 2.2V to 5.5V power supply for the pullup resistors' open-drain logic outputs.

Features

- ◆ Quick Demo Mode Evaluation Without DC-DC Converters
- ◆ Monitors and Sequences Up to Nine DC-DC Converter Outputs
- ◆ Reverse-Sequencing Operation
- ◆ Configurable Sequencing Order (MAX16050 Only)
- ◆ Daisy-Chaining Operation of the MAX16050 and MAX16051
- ◆ Overvoltage and Power-Good Monitoring
- ◆ Fully Assembled and Tested

Ordering Information

PART	TYPE
MAX16050EVKIT+	EV Kit

+Denotes lead-free and RoHS compliant.

Component List

DESIGNATION	QTY	DESCRIPTION
C1, C2, C12	0	Not installed, ceramic capacitors (1206)
C3, C13	0	Not installed, ceramic capacitors (0805)
C4, C15	2	0.1 μ F \pm 10%, 25V X7R ceramic capacitors (0805) Murata GRM21BR71E104K
C5, C14	2	1 μ F \pm 10%, 25V X7R ceramic capacitors (0805) Murata GRM21BR71E105K
C6–C9, C16–C19, C22	9	0.01 μ F \pm 10%, 25V X7R ceramic capacitors (0805) Murata GRM21BR71E103K
C10, C20	2	1200pF \pm 5%, 50V C0G ceramic capacitors (0805) Murata GRM2195C1H122J

DESIGNATION	QTY	DESCRIPTION
C11, C21	2	2200pF \pm 5%, 50V C0G ceramic capacitors (0805) Murata GRM2165C1H222J
GND (3)	3	PC large black test points
GND (2)	2	PC mini black test points
J1	1	2 x 16 header
J2	1	2 x 20 header
J3–J6	4	2-pin headers
JU1–JU7, JU10, JU11, JU12, JU15	11	3-pin headers
JU8, JU9, JU13, JU14	4	2-pin headers
N1, N2	0	Not installed, n-channel MOSFETs (3 SOT23)

Evaluates: MAX16050/MAX16051



MAX16050 Evaluation Kit

Component List (continued)

DESIGNATION	QTY	DESCRIPTION
OUTPUT1, OUTPUT2, U1_CP_OUT, U1_EN, U1_OV_OUT, U1_REM, U1_RESET, U2_CP_OUT, U2_EN, U2_OV_OUT, U2_REM, U2_RESET	12	PC mini red test points
R1, R12, R20, R32	4	86.6kΩ ±1% resistors (0805)
R2, R4, R10, R13, R22, R24, R30, R33, R36	9	16.5kΩ ±1% resistors (0805)
R3, R23	2	30.1kΩ ±1% resistors (0805)
R5, R11, R14, R25, R31, R34, R37	7	10kΩ ±1% resistors (0805)
R6, R26	2	634kΩ ±1% resistors (0805)
R7, R27	2	261kΩ ±1% resistors (0805)
R8, R28	2	698kΩ ±1% resistors (0805)
R9, R29	2	61.9kΩ ±1% resistors (0805)
R15, R21	0	Not installed, resistors—short (0805)
R16–R19, R38–R41	8	10kΩ ±5% resistor (0805)

DESIGNATION	QTY	DESCRIPTION
R35	1	20.5kΩ ±1% resistor (0805)
SW1	1	4-position DIP switch
SW2	1	10-position DIP switch
U1_VCC, U2_VCC, VPULLUP	3	PC large red test points
U1	1	4-channel voltage sequencer (28 TQFN-EP*) Maxim MAX16050ETI+
U2	1	5-channel voltage sequencer (28 TQFN-EP*) Maxim MAX16051ETI+
—	32	Shunts (J1, J2, JU1–JU15)
—	1	PCB: MAX16050 Evaluation Kit+

*EP = Exposed pad.

Component Suppliers

SUPPLIER	PHONE	WEBSITE
Murata Electronics North America, Inc.	770-436-1300	www.murata-northamerica.com

Note: Indicate that you are using the MAX16050 or MAX16051 when contacting these component suppliers.

Quick Start

Required Equipment

Before beginning, the following equipment is needed:

- MAX16050 EV kit
- DC power supplies: 3.5V/100mA, 5V/50mA
- 2-channel oscilloscope

Procedure

The MAX16050 EV kit is a fully assembled and tested surface-mount board. Follow the steps below to verify board operation. **Caution: Do not turn on the power supplies until all connections are completed.**

- 1) Verify that headers J1 and J2 and jumpers JU1–JU14 are configured for demo mode configuration (see Table 1).
- 2) Verify that switches SW1 and SW2 are set to the off position.

- 3) Connect the positive terminal of the 3.5V power supply to the U1_VCC and U2_VCC test points. Connect the ground terminal of this power supply to the respective GND test points.
- 4) Connect the positive terminal of a 5V power supply to the VPULLUP test point. Connect the ground terminal of this power supply to the GND test point.
- 5) Connect oscilloscope channels 1 and 2 to the U1_RESET and U2_RESET test points, respectively. Connect the ground leads to the nearby black GND test points.
- 6) Turn on the VCC power supply and adjust the voltage to 3.5V.
- 7) Turn on the VPULLUP power supply and adjust the voltage to 5V.
- 8) Verify that both U1_RESET and U2_RESET signals are high.
- 9) The EV kit is ready for further testing.

MAX16050 Evaluation Kit

Evaluates: MAX16050/MAX16051

Table 1. MAX16050/MAX16051 EV Kit Jumper Description

JUMPER		SIGNAL	SHUNT POSITION	FUNCTION
MAX16050	MAX16051			
J1	J2	EV kit operation	1-2*, 2-3	Demo mode (see Figure 1)
			2-3 only	DC-DC mode (see Figure 1)
JU1	JU10	OUT_	1-2	OUT_ connects to VCC through resistor
			2-3*	OUT_ connects to VPULLUP through resistor
JU2	JU11	EN	1-2*	Controllers enabled at U1_VCC/U2_VCC > 3.2V
			2-3	Controllers disabled
JU3	JU12	OUT3	1-2	Connects to CP_OUT through resistor
			2-3*	Connection dependent on jumpers JU1 and JU10 configuration
JU4	—	SEQ1	Not installed*	Sequence order: OUT1, OUT2, OUT3, OUT4
JU5	—	SEQ2	Not installed*	
JU6	—	SEQ3	Not installed*	
JU7	JU15	$\overline{\text{EN_HOLD}}$	1-2*	Normal operation of EN and $\overline{\text{SHDN}}$ functions
			2-3	Ignores high-to-low transitions at $\overline{\text{SHDN}}$ and EN
JU8	JU13	$\overline{\text{SHDN}}$	Not installed*	Controller enabled or externally driven
			Installed	Controllers disabled. Reverse power-down sequencing. RESET asserts low.
JU9	JU14	$\overline{\text{FAULT}}$	Not installed*	Normal operation
			Installed	Disables controller. Initiates simultaneous power-down of OUT. RESET asserts low.

*Default position (demo mode operation).

Detailed Description of Hardware

The MAX16050 evaluation kit (EV kit) evaluates the 4-channel MAX16050 and 5-channel MAX16051 power-supply sequencing ICs. The MAX16050 EV kit monitors up to nine DC-DC converter outputs, thus ensuring proper power-up and power-down conditions for systems requiring voltage sequencing. During power-down, the outputs can be reverse-sequenced by driving $\overline{\text{SHDN}}$ low. The MAX16050 EV kit's VCC power-supply inputs require 2.7V to 13.2V and VPULLUP requires 2.2V to 5.5V.

The MAX16050 EV kit can operate in DC-DC mode or in demo mode. DC-DC mode uses the MAX16050 and MAX16051 to control external DC-DC converters, and without demo mode facilitates stand-alone evaluation without external DC-DC converters.

The EV kit features $\overline{\text{RESET}}$ output signals to indicate an undervoltage condition, or when shunts are installed across the jumpers labeled $\overline{\text{SHDN}}$ or $\overline{\text{FAULT}}$. Additionally, dedicated $\overline{\text{OV_OUT}}$ outputs indicate overvoltage faults when any of the monitored EV kit IN inputs go above their overvoltage thresholds. The EV kit also

provides test points OUTPUT1 and OUTPUT2 for low-current n-channel MOSFETs N1 and N2, respectively, which are controlled by the MAX16050 and MAX16051 charge-pump outputs. Refer to the MAX16050/MAX16051 IC data sheet for additional information on selecting appropriate MOSFETs when driving external MOSFETs using the charge-pump outputs.

Power-Supply Connections (U1_VCC, U2_VCC, VPULLUP)

The MAX16050 EV kit requires input voltages of 2.7V to 13.2V connected at the U1_VCC and U2_VCC test points to power the MAX16050 and MAX16051 controllers, respectively. The power supplies must provide at least 50mA of current. VPULLUP requires an input voltage of 2.2V to 5.5V connected to the VPULLUP test point and supplies power to the EV kit's pullup resistor open-drain outputs. The VPULLUP power supply must provide at least 50mA of current. Additional surface-mount 1206 PCB pads are provided for adding additional bulk capacitance at C1, C2, and C12 for the EV kit power-supply inputs. Header pins J3–J6 are available to use as ground reference for signal and voltage probing.

MAX16050 Evaluation Kit

DC-DC Mode

For DC-DC mode operation, connect the DC-DC converter outputs and EN/SHDN inputs to the EV kit's IN_ and OUT_ header pins, respectively, and place shunts across pins 2-3 of headers J1 and J2. Header J1 drives the U1_IN1–U1_IN4 MAX16050 inputs and header J2 drives the U2_IN1–U2_IN5 MAX16051 inputs. See Table 1 and Figure 1 for headers J1 and J2 configuration for DC-DC and demo modes of operation. By default, the input-voltage thresholds are set according to Table 2.

The sequence delay between each of the OUT_ outputs is the time required for the external converter voltage to exceed the undervoltage threshold, the respective channel open-drain output OUT_ going high impedance, and the additional time delay set by external delay capacitors C10 and C20. As each IN_ voltage meets its respective threshold, the next OUT_ in the sequence goes high impedance (open-drain output), enabling the next power supply, which is then monitored by the next input stage. When all the voltages exceed their respective thresholds, RESET goes high after the reset timeout period set by capacitors C11 and C21.

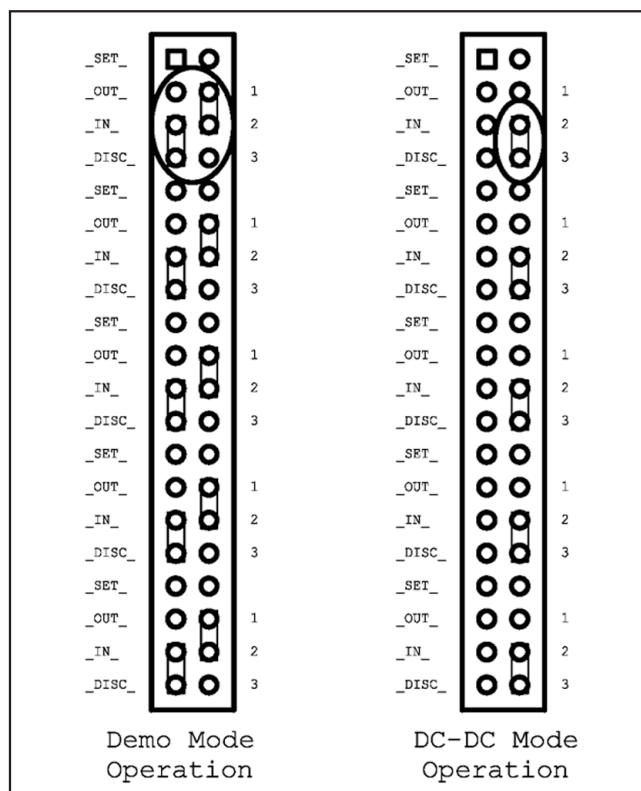


Figure 1. Headers J1/J2 Shunt Configurations for DC-DC and Demo Mode Operation

Table 2. Input Channel Threshold Voltages

INPUT CHANNEL	INPUT THRESHOLD VOLTAGE (V)	RESISTORS
U1_IN1, U2_IN1	3.13	R12/R13, R32/R33
U1_IN2, U2_IN2	2.28	R9/R10, R29/R30
U1_IN3, U2_IN3	1.71	R6/R7, R26/R27
U1_IN4, U2_IN4	1.43	R3/R4, R23/R24
U2_IN5	1.14	R35/R36

Demo Mode

The MAX16050 EV kit allows quick evaluation of the MAX16050 and MAX16051 ICs individually without interfacing DC-DC converters to the kit's IN and OUT header pins. Place shunts across pins 1-2 and pins 2-3 of headers J1 and J2 to operate the MAX16050 EV kit in demo mode. In demo mode, VCC or VPULLUP powers the inputs to the respective IN_ channels with the OUT_ pullup voltage. Demo mode operation requires a minimum 3.5V applied at the VCC or VPULLUP PCB input pads. See Table 1 and Figure 1 for proper shunt placement when operating the MAX16050 EV kit in demo mode. Note that when operating the MAX16050 EV kit in demo mode, both OV_OUT signals will be asserted low.

To daisy chain the MAX16050 and MAX16051 while operating the EV kit in demo mode, See the *Configuring the MAX16050 EV Kit for Daisy-Chain Operation (SW1)* section.

Input Channel Threshold Voltages (IN_)

The EV kit input-voltage thresholds are set to operate with 3.3V, 2.5V, 1.8V, 1.5V, and 1.2V (MAX16051) voltage systems. All input-voltage thresholds can be reconfigured by replacing the corresponding resistors, as shown in Table 2. Refer to the *Resistor Value Selection* section in the MAX16050/MAX16051 IC data sheet to calculate the new resistor values when reconfiguring the EV kit input thresholds.

OUT_ Pullup Voltage Selection (JU1, JU10)

Jumpers JU1 and JU10 select the OUT_ open-drain pullup voltage. Place a shunt across pins 1-2 of jumpers JU1 and JU10 to select the respective power-supply inputs (U1_VCC, U2_VCC) as the OUT_ logic-high voltage. Place shunts across pins 2-3 of jumpers JU1 and JU10 to select VPULLUP as the OUT_ logic-high voltage. See Table 3 for proper jumper settings for OUT_'s logic-high voltage configuration.

MAX16050 Evaluation Kit

Evaluates: MAX16050/MAX16051

Caution: When operating the MAX16050 EV kit U1_VCC or U2_VCC inputs with power supplies greater than 5.5V, verify that shunts are installed across pins 2-3 of jumpers JU1 and JU10 to prevent operating the open-drain logic outputs above the maximum voltage rating.

Table 3. Jumpers JU1, JU10 Configuration

SHUNT POSITION	OUT_ PULLUP RESISTOR VOLTAGE SOURCE
1-2	OUT_ connects to VCC through resistor
2-3	OUT_ connects to VPULLUP through resistor

EN Control (JU2, JU11)

Jumpers JU2 and JU11 enable or disable the MAX16050 and MAX16051, respectively, for power-up sequencing and simultaneous power-down operation. Install shunts across pins 1-2 of jumpers JU2 and JU11 to initiate a power-up sequence. Install a shunt across pins 2-3 to power down the channels and to assert $\overline{\text{RESET}}$. See Table 4 for jumpers JU2 and JU11 configuration.

Table 4. Jumpers JU2, JU11 Configuration

SHUNT POSITION	EN INPUT SETTING
1-2	EN connected to resistor-divider (controllers enabled)
2-3	EN = GND (controllers disabled)

The voltage threshold of each analog EN input is configured to 3.17V using resistors R1/R2 (U1) and R20/R22 (U2). Use the following equation to calculate a new R1 or R20 resistor value to change the enable threshold:

$$R_A = 16.5 \times \left(\frac{V_{EN}}{0.5V} - 1 \right)$$

Table 6. MAX16050 Sequencing Control (JU4, JU5, JU6)

SHUNT POSITION			SEQUENCE ORDER			
JU4	JU5	JU6	1ST	2ND	3RD	4TH
Not installed	Not installed	Not installed	U1_OUT1	U1_OUT2	U1_OUT3	U1_OUT4
Not installed	Not installed	2-3	U1_OUT1	U1_OUT2	U1_OUT4	U1_OUT3
Not installed	Not installed	1-2	U1_OUT1	U1_OUT3	U1_OUT2	U1_OUT4
Not installed	2-3	Not installed	U1_OUT1	U1_OUT3	U1_OUT4	U1_OUT2
Not installed	2-3	2-3	U1_OUT1	U1_OUT4	U1_OUT2	U1_OUT3
Not installed	2-3	1-2	U1_OUT1	U1_OUT4	U1_OUT3	U1_OUT2
Not installed	1-2	Not installed	U1_OUT2	U1_OUT1	U1_OUT3	U1_OUT4
Not installed	1-2	2-3	U1_OUT2	U1_OUT1	U1_OUT4	U1_OUT3
Not installed	1-2	1-2	U1_OUT2	U1_OUT3	U1_OUT1	U1_OUT4

where V_{EN} is the desired VCC undervoltage threshold, 0.5V is the MAX16050/MAX16051 EN threshold voltage, and R_A is the new resistor value for R1 or R20 in kilohms.

Charge-Pump Outputs (CP_OUT)

The EV kit features test points (U1_CP_OUT, U2_CP_OUT) to monitor the MAX16050 and MAX16051 charge-pump outputs. PCB pads are also available for the installation of low-current SOT23 footprint n-channel MOSFETs at N1 and N2.

The EV kit's charge-pump outputs can also be used as the pullup voltages for open-drain output OUT3 using jumpers JU3 and JU12. See Table 5 for configuring OUT3 to the respective charge-pump outputs.

Table 5. Jumpers JU3, JU12 Configuration

SHUNT POSITION	OUT3 PULLUP VOLTAGE
1-2	Connects to CP_OUT through resistor
2-3	Connection dependent on jumpers JU1/JU10 configuration (see Table 3)

MAX16050 Sequence Order (JU4, JU5, JU6)

Jumpers JU4, JU5, and JU6 configure the MAX16050 sequencing order. The jumper settings allow up to 24 different power-up combinations. The MAX16051 does not feature programmable power-supply sequencing and powers up in a fixed order from U2_OUT1–U2_OUT5. See Table 6 to configure the sequencing order for U1_OUT1–U1_OUT4.

MAX16050 Evaluation Kit

Table 6. MAX16050 Sequencing Control (JU4, JU5, JU6) (continued)

SHUNT POSITION			SEQUENCE ORDER			
JU4	JU5	JU6	1ST	2ND	3RD	4TH
2-3	Not installed	Not installed	U1_OUT2	U1_OUT3	U1_OUT4	U1_OUT1
2-3	Not installed	2-3	U1_OUT2	U1_OUT4	U1_OUT1	U1_OUT3
2-3	Not installed	1-2	U1_OUT2	U1_OUT4	U1_OUT3	U1_OUT1
2-3	2-3	Not installed	U1_OUT3	U1_OUT1	U1_OUT2	U1_OUT4
2-3	2-3	2-3	U1_OUT3	U1_OUT1	U1_OUT4	U1_OUT2
2-3	2-3	1-2	U1_OUT3	U1_OUT2	U1_OUT1	U1_OUT4
2-3	1-2	Not installed	U1_OUT3	U1_OUT2	U1_OUT4	U1_OUT1
2-3	1-2	2-3	U1_OUT3	U1_OUT4	U1_OUT1	U1_OUT2
2-3	1-2	1-2	U1_OUT3	U1_OUT4	U1_OUT2	U1_OUT1
1-2	Not installed	Not installed	U1_OUT4	U1_OUT1	U1_OUT2	U1_OUT3
1-2	Not installed	2-3	U1_OUT4	U1_OUT1	U1_OUT3	U1_OUT2
1-2	Not installed	1-2	U1_OUT4	U1_OUT2	U1_OUT1	U1_OUT3
1-2	2-3	Not installed	U1_OUT4	U1_OUT2	U1_OUT3	U1_OUT1
1-2	2-3	2-3	U1_OUT4	U1_OUT3	U1_OUT1	U1_OUT2
1-2	2-3	1-2	U1_OUT4	U1_OUT3	U1_OUT2	U1_OUT1

EN_HOLD (JU7, JU15)

Jumpers JU7 and JU15 configuration setting allows the MAX16050 and MAX16051 to ignore high-to-low transitions at the EN and SHDN inputs. Place a shunt across pins 1-2 for normal operation of the EN and SHDN feature. Place a shunt across pins 2-3 to ignore high-to-low transitions at EN and SHDN. See Table 7 for jumpers JU7 and JU15 configuration.

SHDN Control (JU8, JU13)

Jumpers JU8 and JU13 initiate the MAX16050 and MAX16051 for a reverse-sequencing event. Install shunts on jumpers JU8 and JU13 to initiate a reverse-sequencing event. Remove the shunts at jumpers JU8 and JU13 for proper power-up operation when EN = high. To drive SHDN externally, place a square-wave signal with a 2V to 5.5V logic-high level at pin 1 of jumpers JU8 or JU13. See Table 8 for jumpers JU8 and JU13 configuration.

FAULT Control (JU9, JU14)

Jumpers JU9 and JU14 control the MAX16050 and MAX16051 input/output FAULT signal, respectively. FAULT asserts low when any of the monitored IN voltages fall below its SET voltage threshold. As an output, FAULT can be driven externally to initiate a simultaneous power-down of the DC-DC controllers. Install a shunt across jumpers JU9 and JU14 to initiate a shut-down of the controllers. To drive FAULT externally, place a square-wave signal with a 2V to 5.5V logic-high

level at pin 1 of jumpers JU8 or JU14. Connect the signal ground to a convenient ground reference. See Table 9 for jumpers JU9 and JU14 configuration.

Table 7. Jumpers JU7, JU15 Configuration

SHUNT POSITION	EN_HOLD INPUT SETTING
1-2	Normal operation of EN and SHDN functions
2-3	Ignores high-to-low transitions at EN and SHDN

Table 8. Jumpers JU8, JU13 Configuration

SHUNT POSITION	SHDN INPUT SETTING
Not installed	Controller enabled or externally driven
Installed	Reverse power-down sequencing. RESET asserts low.

Table 9. Jumpers JU9, JU14 Configuration

SHUNT POSITION	FAULT INPUT SETTING
Not installed	Normal operation
Installed	Disables controller. Initiates simultaneous power down of OUT_. RESET asserts low.

MAX16050 Evaluation Kit

Evaluates: MAX16050/MAX16051

Sequence Delay Control

Capacitors C10 or C20 set the t_{DELAY} periods for U1 and U2 to 644 μ s, respectively. Replace the capacitors with different values to adjust the t_{DELAY} periods, or remove the capacitors to set the t_{DELAY} periods to 34 μ s. Use the following equation to calculate a new capacitor value when adjusting the t_{DELAY} period:

$$C = \frac{t_{DELAY} - 34\mu s}{5 \times 10^5 \Omega}$$

where C is the capacitance of C10 or C20 in farads, and t_{DELAY} is in seconds.

Reset Timeout Control

Capacitors C11 and C21 set the $t_{TIMEOUT}$ period for U1 and U2 to 1.1ms, respectively. Replace the capacitors with a different value to adjust the $t_{TIMEOUT}$ periods, or remove the capacitors to set the $t_{TIMEOUT}$ period to 34 μ s. Use the following equation to calculate new capacitor values when adjusting the $t_{TIMEOUT}$ period:

$$C = \frac{t_{TIMEOUT} - 34\mu s}{5 \times 10^5 \Omega}$$

where C is the capacitance of C11 or C21 in farads, and $t_{TIMEOUT}$ is in seconds.

Channel Bypassing (SW2)

DIP switch SW2 allows the MAX16050 EV kit to bypass any unused channels and to power up successfully when using fewer than four or five DC-DC converters with the U1_IN1–U1_IN4 and U2_IN1–U2_IN5 inputs, respectively. To bypass a channel, remove the shunts connected across pins 1-2 and 2-3 of headers J1 or J2, and set the respective SW2 switch to the on position. See Table 10 for the input channel assignment on switch SW2.

Logic Outputs (OV_OUT, RESET)

The MAX16050 EV kit features test points U1_OV_OUT, U2_OV_OUT, U1_RESET, and U2_RESET to monitor fault conditions on each controller. U1_OV_OUT and U2_OV_OUT assert low when any of the monitored IN voltages rise above their overvoltage threshold. See Table 11 for the input channel overvoltage thresholds.

The EV kit RESET signals assert low under the following conditions:

- 1) Any monitored voltage falls below its input threshold.
- 2) EN falls below the enable threshold.
- 3) FAULT output is pulled low.
- 4) SHDN is pulled low (note that when SHDN is pulled low, the controller initiates a reverse-sequence power-down).

Table 10. SW2 Channel Bypass

SWITCH	BYPASS CHANNEL
1	U1_IN4
2	U1_IN3
3	U1_IN2
4	U1_IN1
5	U2_IN5
6	U2_IN4
7	U2_IN3
8	U2_IN2
9	U2_IN1
10	Not used

Table 11. Input Overvoltage Thresholds

INPUT CHANNEL	INPUT OVERVOLTAGE THRESHOLD (V)
_IN1	3.43
_IN2	2.61
_IN3	1.89
_IN4	1.55
IN5 (MAX16051 only)	1.23

MAX16050 Evaluation Kit

Configuring the MAX16050 EV Kit for Daisy-Chain Operation (SW1)

The MAX16050 EV kit can be configured for daisy-chain operation of the MAX16050 (U1) and the MAX16051 (U2) by configuring DIP switch SW1 and various jumpers. See Tables 12 and 13 for switch SW1 and the proper jumper configurations, respectively, to configure the EV kit for daisy-chain operation. For proper daisy-chain operation of U1 and U2, all of SW1 switches should be set to the on position.

To initiate a power-up sequence, install a shunt across pins 1-2 of jumper JU2 (U1_EN). U1_IN1–U1_IN4 sequence according to the shunt configurations of jumpers JU4, JU5, and JU6 (Table 6). Upon U1 inputs rising above their respective thresholds, the U1_RESET signal goes high and drives U2_EN input high (SW1-4) allowing sequencing to commence on the MAX16051. Upon U2 controller sequencing successfully, U2_RESET goes high.

To initiate a reverse power-down sequence, install a shunt across jumper JU8 or JU13. When all the IN_ voltages monitored by U2 (U2_IN1–U2_IN5) have dropped below their undervoltage threshold, U2_REM output goes high, thereby allowing U1_OUT_ to commence sequencing down. U2_REM connects to U1_EN_HOLD (through SW1-2) to force U1 controller to stay on even if U1_EN and U1_SHDN are pulled low during a daisy-chain operation.

Switch SW1-3 connects U1 and U2 open-drain FAULT outputs together, resulting in a fast power-down of all inputs when a fault condition occurs on any of the inputs or when FAULT is manually pulled low by installing a shunt across jumpers JU9 or JU14.

Table 12. SW1 Switch Functions

SW1 DESIGNATION	SWITCH POSITION	EV KIT OPERATION
SHDN	On	U1 and U2 SHDN inputs connected and controlled by one signal.
REV_SEQ	On	Connects U2_REM to U1_EN_HOLD. Reverse-sequence U2_OUT and then U1_OUT when a shunt is installed across jumper JU8 or JU13.
FAULT	On	Connects U1_FAULT and U2_FAULT. All outputs power down simultaneously during fault conditions.
SEQ	On	Connects U1_RESET to U2_EN. Sequences U1 OUT_ and then U2 OUT_.

Table 13. Jumper Configuration for Daisy-Chain Operation

JUMPER	SHUNT POSITION	EV KIT OPERATION
JU2	1-2	U1 controllers enabled at U1_VCC = 3.3V (DC-DC mode)
JU7	Not installed	U1_EN_HOLD controlled by U2_REM
JU8, JU13	Not installed	U1_SHDN and U2_SHDN = high
JU9, JU14	Not installed	U1_FAULT and U2_FAULT connected together
JU11	Not installed	U2_EN controlled by switch SW1-4
JU15	1-2	U2_EN_HOLD = high

MAX16050 Evaluation Kit

Evaluates: MAX16050/MAX16051

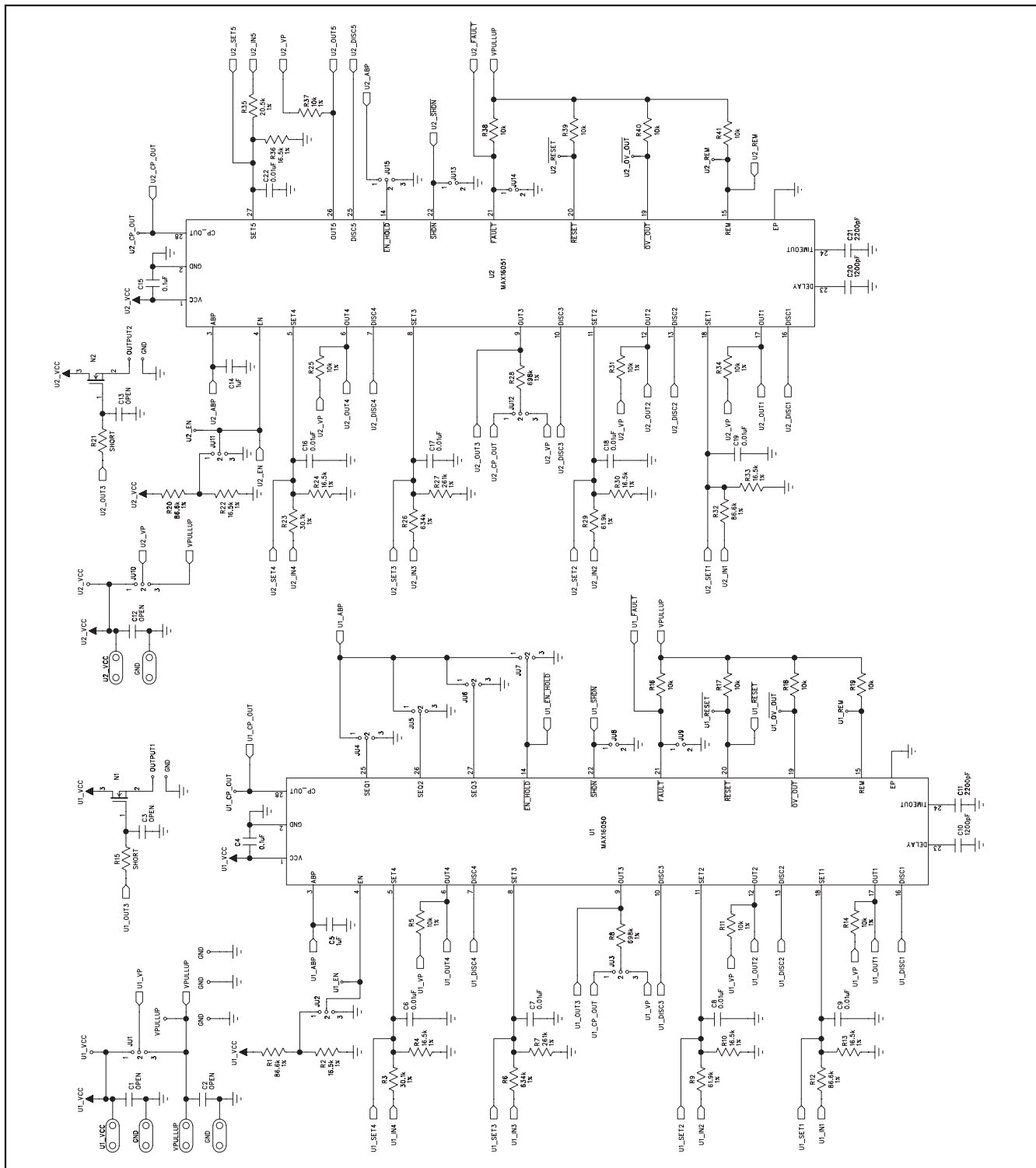


Figure 2a. MAX16050 EV Kit Schematic (Sheet 1 of 2)

MAX16050 Evaluation Kit

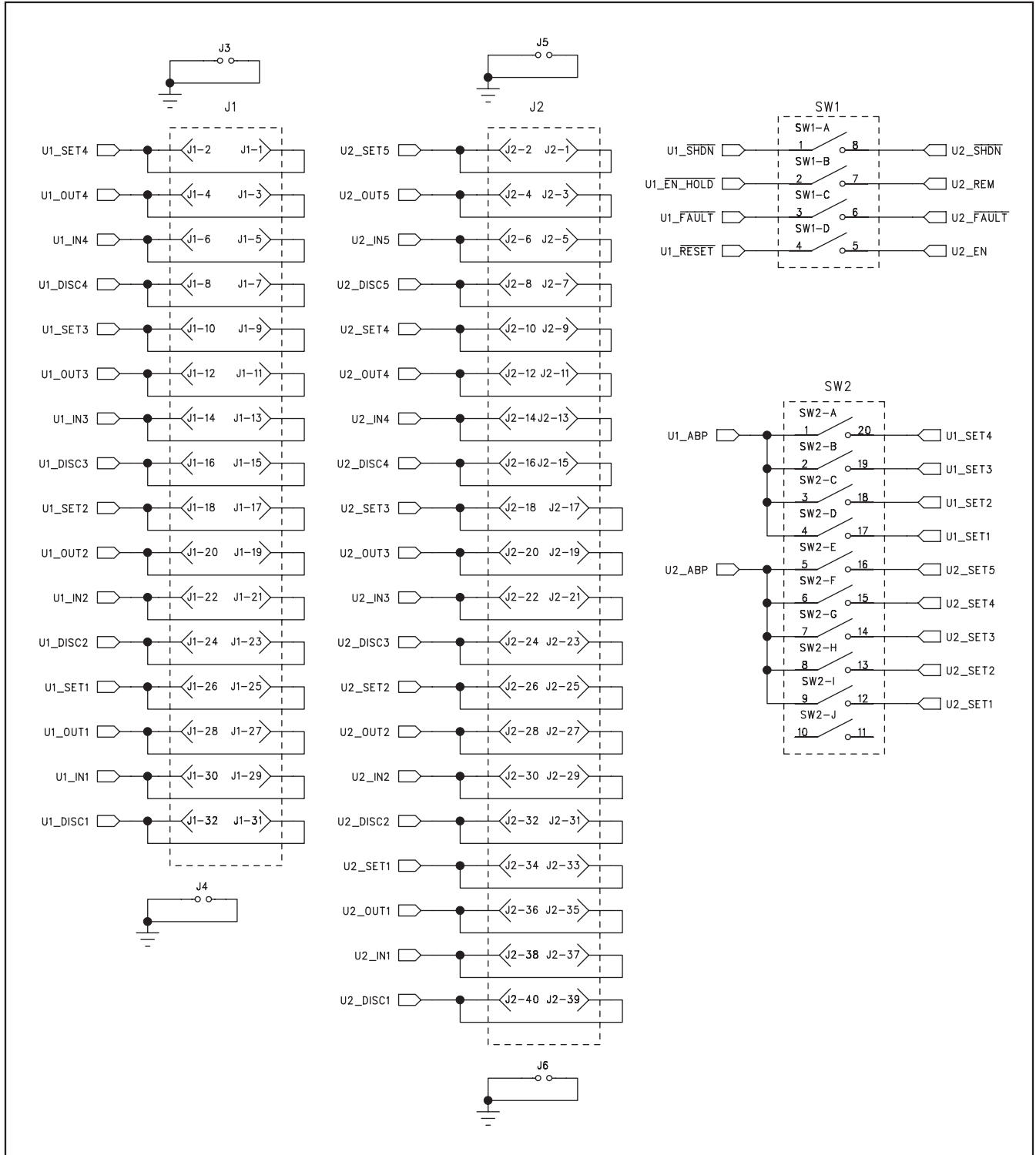


Figure 2b. MAX16050 EV Kit Schematic (Sheet 2 of 2)

MAX16050 Evaluation Kit

Evaluates: MAX16050/MAX16051

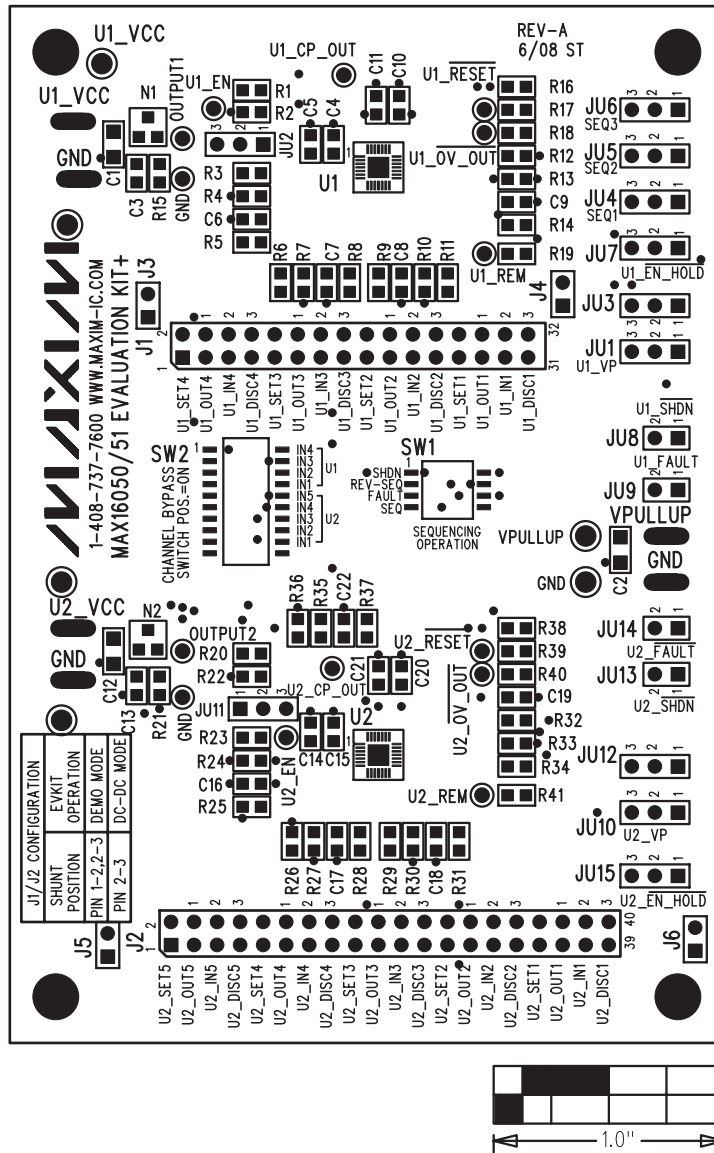


Figure 3. MAX16050 EV Kit Component Placement Guide—Component Side

MAX16050 Evaluation Kit

Evaluates: MAX16050/MAX16051

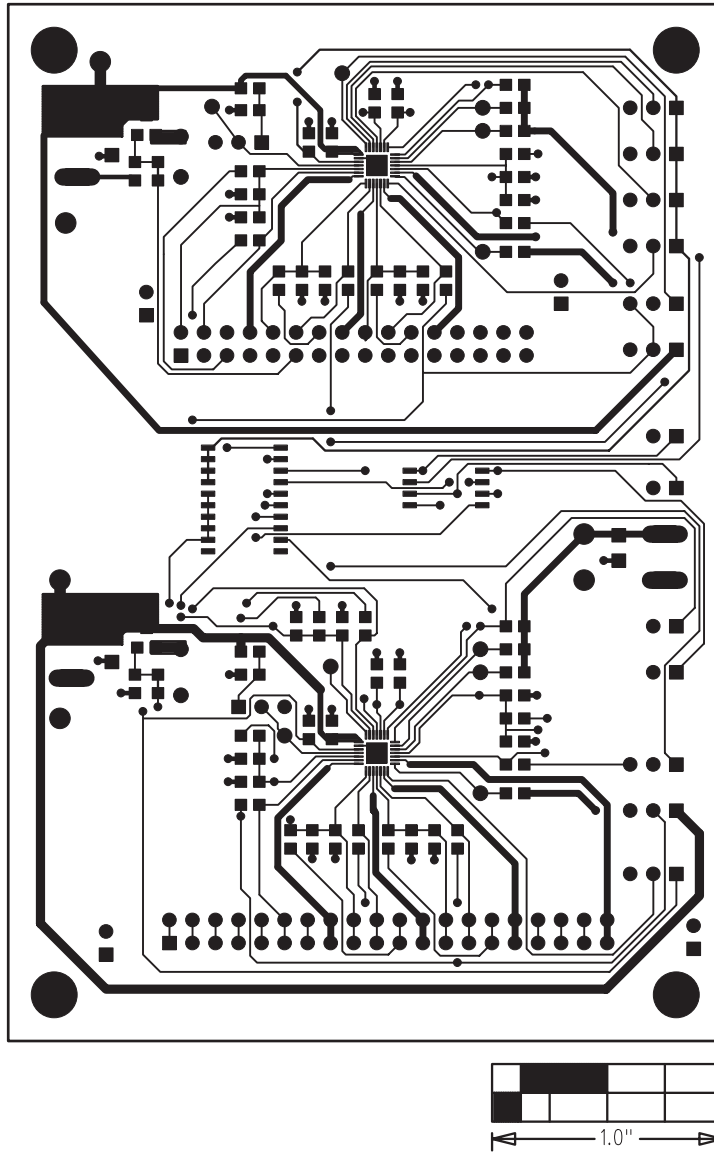


Figure 4. MAX16050 EV Kit PCB Layout—Component Side

MAX16050 Evaluation Kit

Evaluates: MAX16050/MAX16051

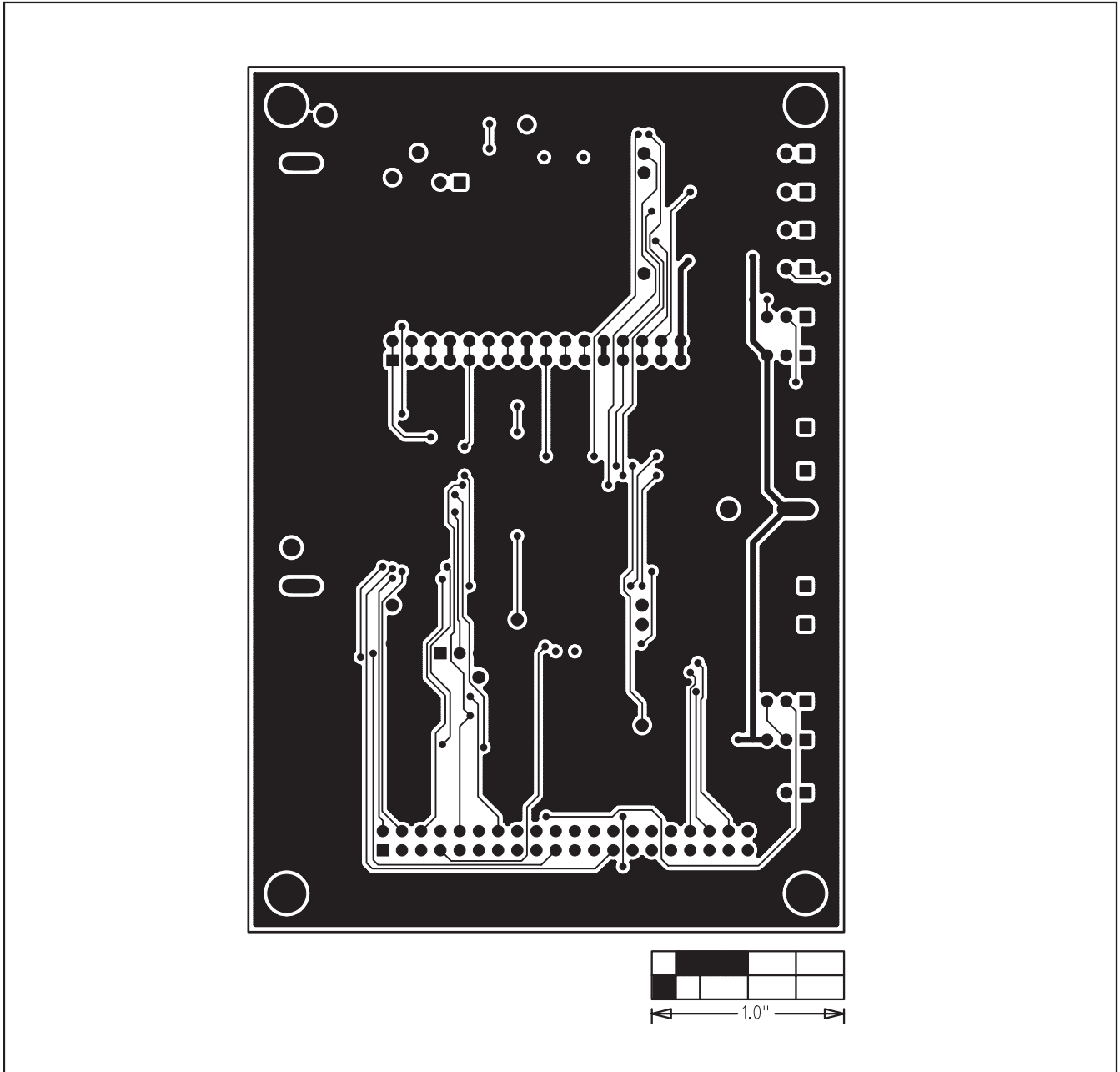


Figure 5. MAX16050 EV Kit PCB Layout—Solder Side

Maxim cannot assume responsibility for use of any circuitry other than circuitry entirely embodied in a Maxim product. No circuit patent licenses are implied. Maxim reserves the right to change the circuitry and specifications without notice at any time.

Maxim Integrated Products, 120 San Gabriel Drive, Sunnyvale, CA 94086 408-737-7600 _____ 13